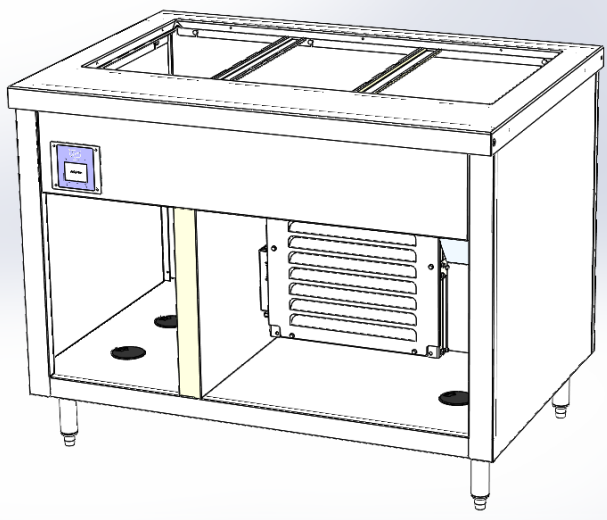




Your Solutions Partner

Specifications

F.O.B. Sedalia, Missouri 65301



315-25-N7 Shown

OPTIONS:

- Basic Mechanical Control
- Sliding doors with compressor compartment
- Door locks
- Condensate evaporator
- Designer Foodshields
- Trayslides
- Adapter bars
- Adapter panels
- Stainless steel carving boards
- Wood carving boards
- Kick plates
- 5" casters, 2 swivel w/locks, or 4/locks
- Stainless steel dish shelf
- Drop brackets on tray slide
- False bottom - perforated, stainless
- Veneered plastic laminate panels on body
- Special powder coat painted body
- Body latches - 14695

DUKE MANUFACTURING CO.

2305 N. Broadway
 St. Louis, MO 63102
 800.735.3853 Toll Free
 314.231.5074 Fax
 www.dukemfg.com
 SS-1302 R290 AeroServ Mech Cooled NSF7

Specification subject to change



Approval Stamp(s):

PRODUCT INFORMATION:

PROJECT: _____

ITEM: _____

QUANTITY: _____

MODEL:

AeroServ Serving Systems
 Cold Pan Units - Mechanically Cooled
 Meets NSF Standard 7

- 314-25-N7 32" long unit/28.5" Long pans
- 315-25-N7 46" long unit/ 42-1/2" long pan
- 316-25-N7 60" long unit/56-1/2" long pan
- 327-25-N7 74" long unit/70-1/2" long pan

BODY:

- 20 gauge, 300 Series stainless steel
- Intuitive, ease to use touch screen control with 3 pre-set temperatures
- Cutout, flanged down & attached to liner of cold pan
- Flanged or channeled edges
- Welded together with local reinforcements
- Compressor compartment with removable louvered grille
- Mounted on 6" stainless steel legs with adjustable feet
- Stainless steel
- Paint grip
- Choice of available powder coat colors

LINER:

- 18 gauge, 300 Series stainless steel - 8" deep, 21-3/4" wide
- Insulated on all four sides and bottom
- 1" cast brass drain and plug
- Condensing unit, refrigerant coil, controls, electric cord and plug - NEMA 5-15,
- Refrigerant R290
- Food pans recessed 3/4" below top on removable stainless brackets

Certifications:



UL/ANSI NSF4

REV A 11/07/2024

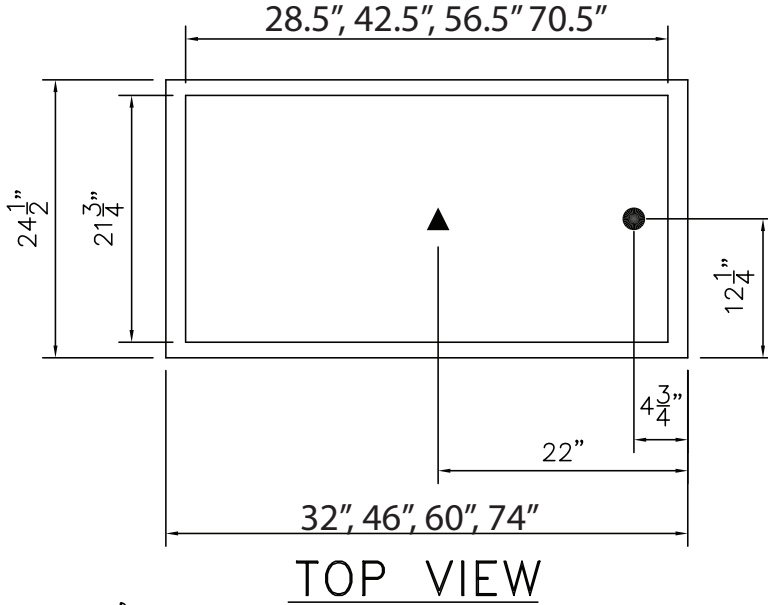
R290 AEROSERV - SERVING SYSTEMS - COLD PAN UNIT - MECHANICALLY COOLED-N7

Catalog No. ASC-MECHCOLDN7

A.I.A. File No. 35-C-13

AeroServ

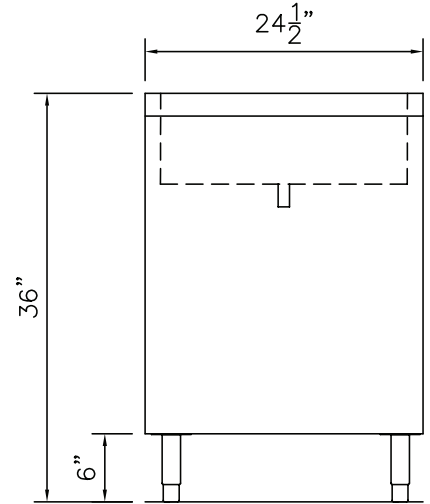
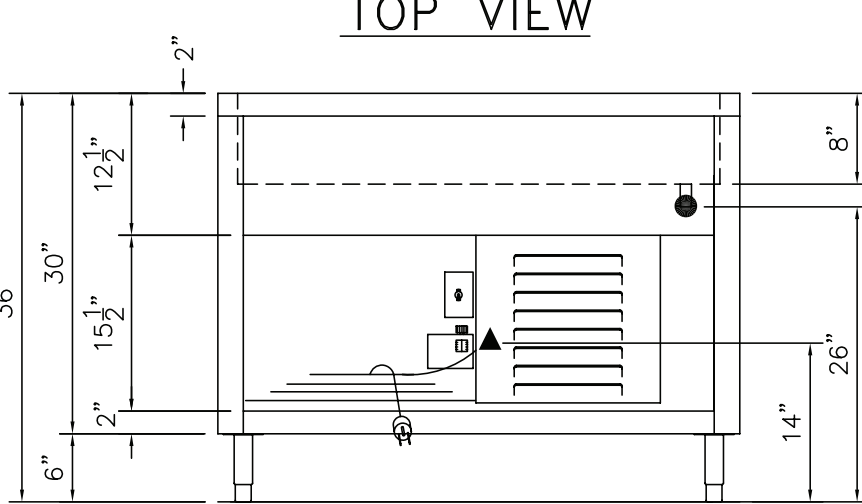
SERVING SYSTEMS Cold Pan Units - Mechanically Cooled Meets NSF Standard 7



LEGEND	
▲	ELECTRIC CONNECTION POINT SINGLE PHASE
●	DRAIN LOCATION

ELECTRICAL SPECIFICATIONS

Model	120 Volt		R290 ⚠
	Amps	NEMA	Grams
314-25-N7	5.5	5-15	110
315-25-N7	5.2	5-15	110
316-25-N7	6.9	5-15	110
327-25-N7	6.9	5-15	110



DIMENSIONS:

Model	Length		Width		Height		Cube ft. crated	Weight		Cold Pan Length	
	in	cm	in	cm	in	cm		lbs	kg	in	cm
314-25-N7	32	81.28	24-1/2	62.2	36	91.4	27.5	244	110.68	28.5	72.39
315-25-N7	46	116.8	24-1/2	62.2	36	91.4	37.7	310	141.0	42-1/2	108.0
316-25-N7	60	152.4	24-1/2	62.2	36	91.4	47.9	386	175.5	56-1/2	143.5
327-25-N7	74	188.0	24-1/2	62.2	36	91.4	58.1	477	216.8	70-1/2	179.1

Freight Class: 115



Duke Manufacturing Co.
2305 N. Broadway
St. Louis, MO 63102

Phone: 314-231-1130
Toll Free: 1-800-735-3853
Fax: 314-231-5074

www.dukemfg.com