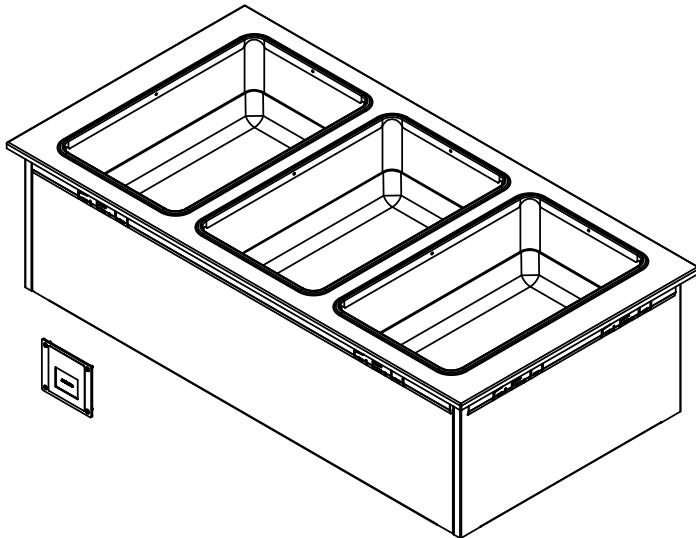




Your Solutions Partner

Specifications

F.O.B. Sedalia, Missouri 65301



Model WWG3 Shown Above

OPTIONS:

- Designer Foodshields
- Telescope covers
- Adapter Plates
- Adapter Bars

Agency Listings:



NSF/ANSI 4

DUKE MANUFACTURING CO.

2305 N. Broadway

St. Louis, MO 63102

800.735.3853 Toll Free

314.231.5074 Fax

www.dukemfg.com

SS-1252 Drop In Ganged Waterless Well

Approval Stamp(s):

PRODUCT INFORMATION:

PROJECT: _____

ITEM: _____

QUANTITY: _____

MODEL:

Drop-Ins - Hot Food

Electric Ganged Waterless Well

- WWG1 18 1/4"L x 24 1/4"W x 12 3/4"H
- WWG2 32 1/4"L x 24 1/4"W x 12 3/4"H
- WWG3 46 1/4"L x 24 1/4"W x 12 3/4"H
- WWG4 60 1/4"L x 24 1/4"W x 12 3/4"H
- WWG5 74 1/4"L x 24 1/4"W x 12 3/4"H
- WWG6 88 1/4"L x 24 1/4"W x 12 3/4"H

BODY:

- Heavy gauge, 300 Series stainless steel top
- Overhang on front, back and ends w/locking tabs
- Vinyl foam gasket as sealant
- Die-stamped openings - 11-7/8" X 19-7/8"

Heat Compartments:

- 6-1/4" deep stainless steel liner for dry operation only
- Includes Silicone bottom pad
- Fully Insulated
- Rope element in each compartment

CONTROLS:

- Standard intuitive, easy to use touch screen control - One control for all wells
- Easily adjusted presets LOW/MED/HIGH
- Built in WIFI and Bluetooth for future connectivity.

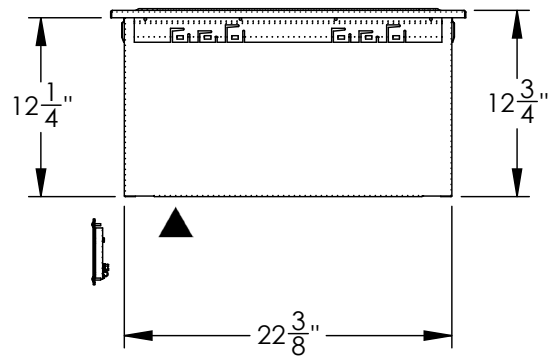
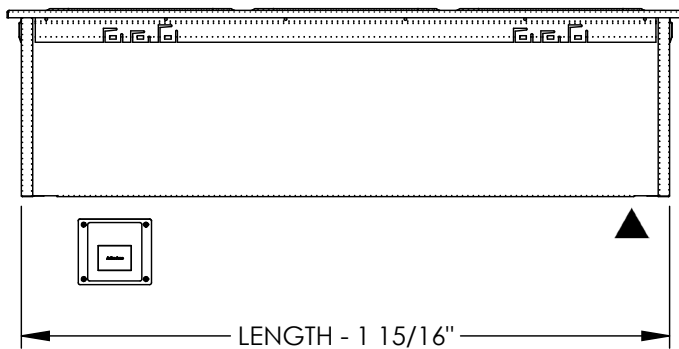
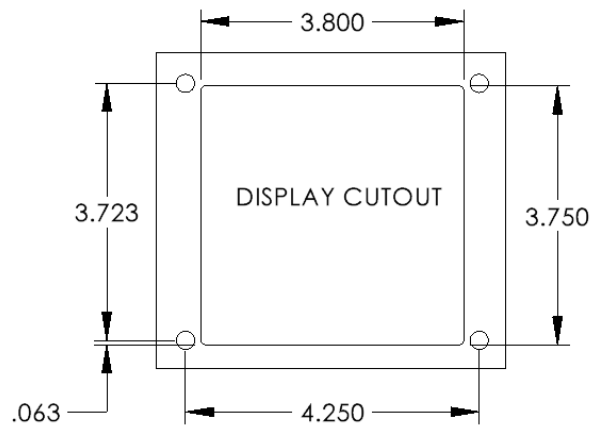
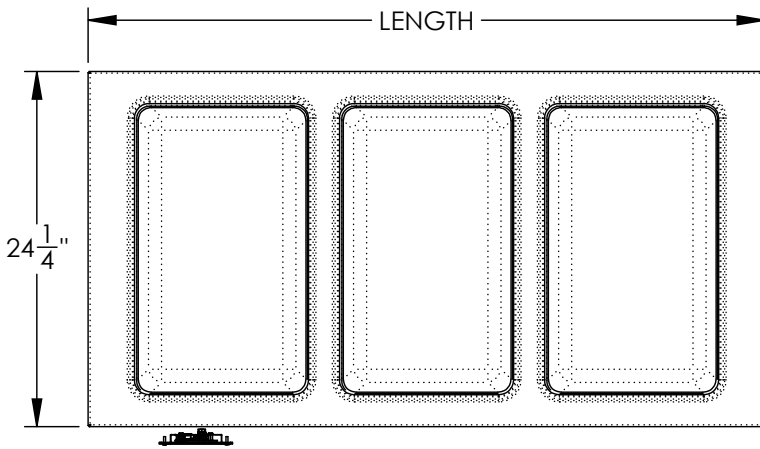
EXTERIOR HOUSING:

- Heavy gauge paint grip steel

Specification subject to change



Drop-IN Ganged Waterless Well



▲ Electrical Connection

DIMENSIONS:

Freight Class: 100

Model	Length		Width		Height		Top Openings	Cutout Length		Cutout Width		Control Panels	Cube ft. Crated	Crated Ship Weight	
	in	cm	in	cm	in	cm		in	cm	in	cm			lbs	kg
WWG1	18.25	46.4	24.25	61.6	12.75	32.4	1	17.0	43.2	23.0	58.4	1	8.2	43	19.6
WWG2	32.25	81.9	24.25	61.6	12.75	32.4	2	31.0	78.7	23.0	58.4	1	13.0	75	34.1
WWG3	46.25	117.5	24.25	61.6	12.75	32.4	3	45.0	114.3	23.0	58.4	1	17.7	90	40.9
WWG4	60.25	153.0	24.25	61.6	12.75	32.4	4	59.0	149.9	23.0	58.4	1	22.5	115	52.3
WWG5	74.25	188.6	24.25	61.6	12.75	32.4	5	73.0	185.4	23.0	58.4	1	27.2	140	63.6
WWG6	88.25	224.2	24.25	61.6	12.75	32.4	6	87.0	221.0	23.0	58.4	1	32.0	220	100.0

ELECTRICAL SPECIFICATIONS:

Model	120 Volt - 665 Watt			208 Volt - 500 Watt			240 Volt - 665 Watt		
	Watts	Amps	NEMA	Watts	Amps	NEMA	Watts	Amps	NEMA
WWG1	665	5.5	5-15	500	2.4	6-20	665	2.8	6-20
WWG2	1330	11.1	5-15	1000	4.8	6-20	1330	5.5	6-20
WWG3	1995	16.6	L5-30	1500	7.2	6-20	1995	8.3	6-20
WWG4	2660	22.2	L5-30	2000	9.6	6-20	2660	11.1	6-20
WWG5	NA	-	-	2500	12.1	6-20	3325	13.9	6-20
WWG6	NA	-	-	3000	14.4	6-20	3390	16.6	6-20



Duke Manufacturing Co.
 2305 N. Broadway
 St. Louis, MO 63102

Phone: 314-231-1130
 Toll Free: 1-800-735-3853
 Fax: 314-231-5074

www.dukemfg.com