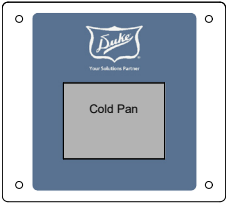
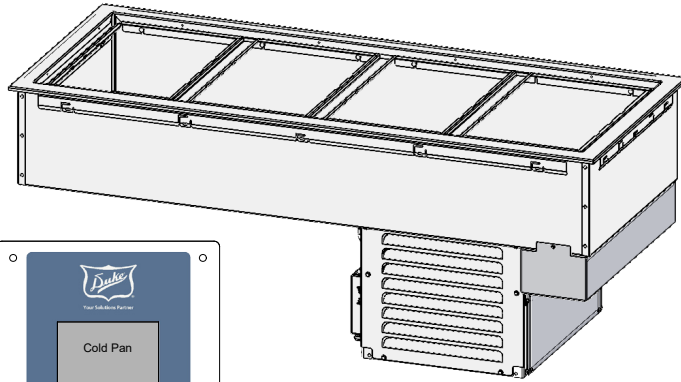




Your Solutions Partner

Specifications

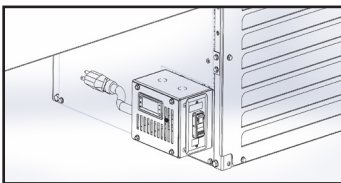
F.O.B. Sedalia, Missouri 65301



Model CP4-SB Shown

OPTIONS:

- No-Drain (required for California)
- Slanted kit option
- Basic Control
- Condensate evaporator
- Compressor left side
- 15° Hug Edge



Basic Control

Agency Listings:



DUKE MANUFACTURING CO.

2305 N. Broadway

St. Louis, MO 63102

800.735.3853 Toll Free

314.231.5074 Fax

www.dukemfg.com

SS-1284 R290 Drop-In Cold Pan

Approval Stamp(s):

PRODUCT INFORMATION:

PROJECT: _____

ITEM: _____

QUANTITY: _____

MODEL:

R290 Drop In Cold Pan

- CP1-SB Drop In, Cold Pan 1-section with drain
- CP2-SB Drop In, Cold Pan 2-section with drain
- CP3-SB Drop In, Cold Pan 3-section with drain
- CP4-SB Drop In, Cold Pan 4-section with drain
- CP5-SB Drop In, Cold Pan 5-section with drain
- CP6-SB Drop In, Cold Pan 6-section with drain

BODY:

- Top – heavy gauge 300 series stainless steel with 90 degree turndown.
- Overhang on front, back and ends w/locking tabs .
- Vinyl foam gasket as sealant.
- 300 Series stainless steel cold pan liner.
- Product recessed 3/4" below top.
- High density CFC free polyurethane foam insulation (zero global warming potential (GWP), & zero ozone depletion potential (ODP).
- Stainless steel louvered grille.
- 1" cast brass drain and plug.
- Removable stainless brackets 3/4" below top.
- Heavy gauge paint grip steel exterior housing.

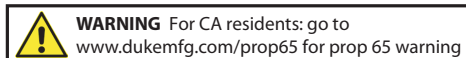
FEATURES:

- **NSF 7 Approved.**
- Standard food pan - 12 x 20 .
- Will also accommodate 1/2 and 1/3rd size pans.
- Capacity: 1 - 6 section units.
- Accepts up to 6" deep full size food pans.
- Refrigerant – Environmentally safe R290. ⚠️
- TXV control for optimal performance.
- Compressor enclosed in perforated aluminum
- Copper coils attached to all sides of liner.

CONTROLS

- Standard intuitive, easy to use touch screen control, 3 pre-set temperatures.
- Built in WIFI and Bluetooth for future connectivity.
- On/Off Switch.

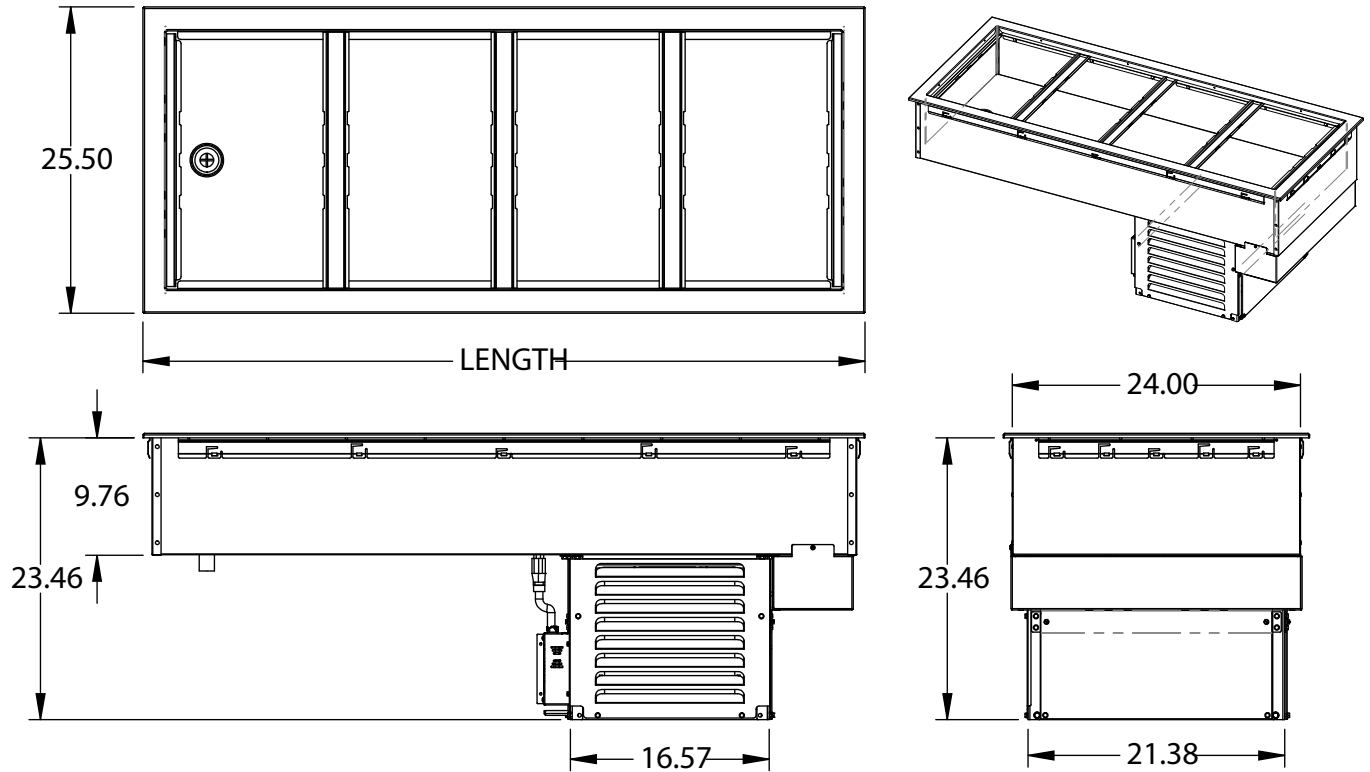
Specification subject to change



R290 Drop In Cold Pan

A.I.A. File No. 35-C-13

Catalog No. Cold Pan

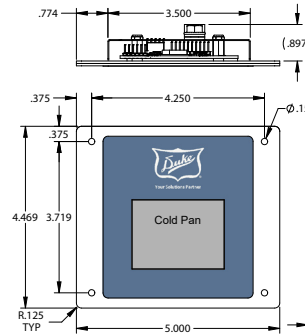


ELECTRICAL SPECIFICATIONS:

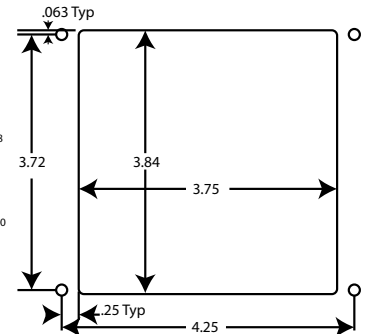
*If using optional electric condensate evaporator add 300 Watts, 2.6 Amps"

Model	120 Volt - HZ 60		
	Watts*	Amps*	NEMA
CP1-SB	528	4.4	5-15
CP2-SB	624	5.2	5-15
CP3-SB	624	5.2	5-15
CP4-SB	828	6.9	5-15
CP5-SB	828	6.9	5-15
CP6-SB	828	6.9	5-15

Control Specifications



Control Cutout



DIMENSIONS:

Freight Class: 100

Model	Height		Length		Width		Counter Top Cutouts		R290 Grams	Cube ft. crated	Crated Ship Weight	
	in.	cm	in.	cm	in.	cm	Width.	Length			lbs.	kg
CP1-SB	24.58	62.4	18.13	46.5	25.5	64.8	24.75	17.25	70	10.2	150	68.2
CP2-SB	24.58	62.4	32.13	81.6	25.5	64.8	24.75	31.25	110	16.2	160	72.3
CP3-SB	24.58	62.4	46.13	117.2	25.5	64.8	24.75	45.25	110	22.1	175	90.9
CP4-SB	24.58	62.4	60.13	152.7	25.5	64.8	24.75	59.25	110	28.1	200	113.6
CP5-SB	24.58	62.4	74.13	188.3	25.5	64.8	24.75	73.25	110	34.0	230	138.6
CP6-SB	24.58	62.4	88.13	223.9	25.5	64.8	24.75	87.25	120	40.0	280	159.1

This product may be covered by one or more patents or pending patent applications. For more details, see: www.dukemfg.com/patents

R290 Drop In Cold Pan



Duke Manufacturing Co.
2305 N. Broadway
St. Louis, MO 63102

Phone: 314-231-1130
Toll Free: 1-800-735-3853
Fax: 314-231-5074

www.dukemfg.com

Printed in U.S.A.
© 2024, Duke Manufacturing Co.