



Your Solutions Partner

Specifications

F.O.B. Sedalia, Missouri 65301



Model: **BGA2-74-SS-GF-OS2-UL**
Shown with Recessed HotFrost Drop in and HotFrost Overshelf

OPTIONS:

- Led lights - Upper Only
- Recessed Hot/Frost Lower Only
- Special Height
- Special Length - Max 60" CL/CL per Section
- Over shelf - 3"Extended

Certifications:



DUKE MANUFACTURING CO.

2305 N. Broadway

St. Louis, MO 63102

800.735.3853 Toll Free

314.231.5074 Fax

www.dukemfg.com

SS-1272 BGA Food Guard with Over shelf

Approval Stamp(s):

PRODUCT INFORMATION:

PROJECT: _____

ITEM: _____

QUANTITY: _____

MODEL:

BGA Adjustable Food Guard with Recessed HotFrost Over Shelf

- BGA1-SS-OS Single Shelf
- BGA2-SS-OS Double Deck
- BGA1-DS-OS Single Shelf Double Sided
- BGA2-DS-OS Double Deck Double Sided

TYPE:

- 32 1 Section
- 46 1 Section
- 60 1 Section
- 74 2 Sections
- 88 2 Sections

Controls:

- Dependent on appliance controls.

FRAMES:

1.25" Sq. Stainless Steel Tubing

- #3 Polish
- Mirror Finish

- Through Mount mounting system

GUARDS:

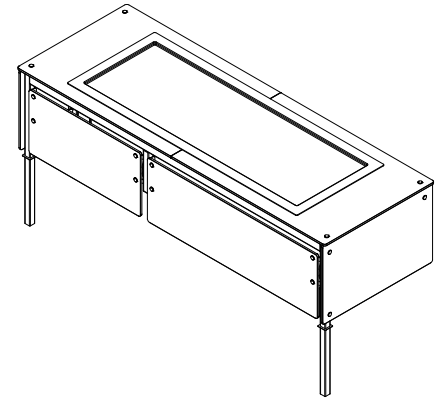
- Adjustable Front Glass
- 1/4" Tempered Wing Glass
- 3/8" Tempered Glass
- Clear polished edges on all glass

Specification subject to change

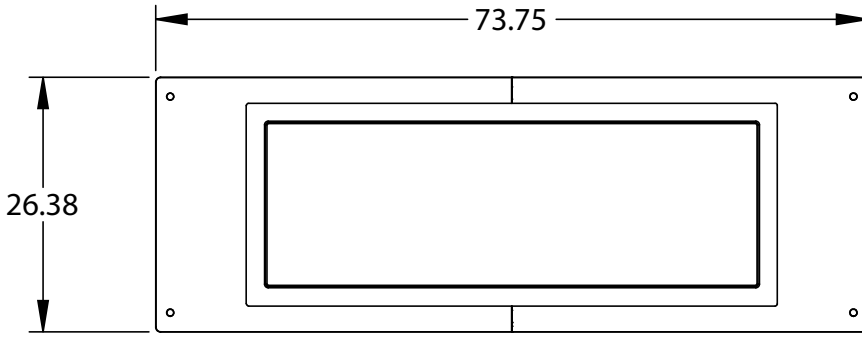


Rev B 08/29/2023

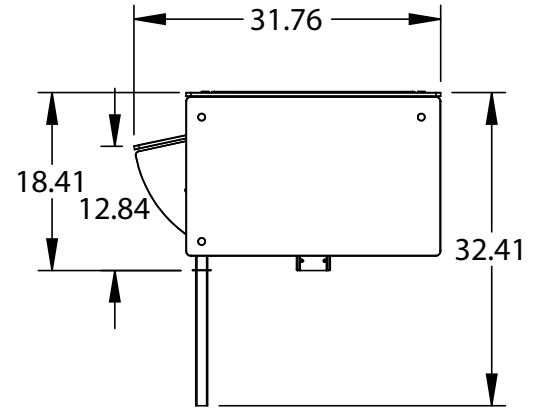
BGA1 Single Shelf Over Shelf



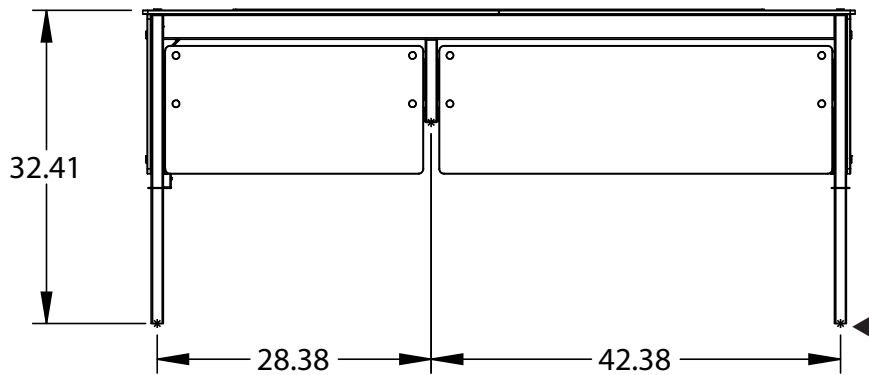
◀ Electrical Connection



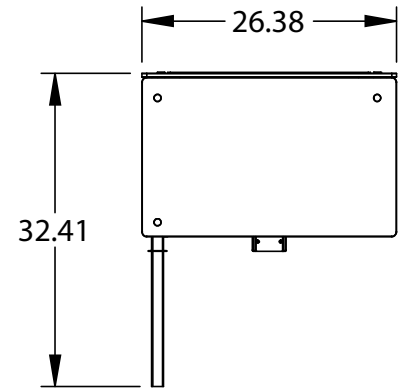
TOP VIEW



SIDE VIEW - GLASS OPEN



FRONT VIEW



SIDE VIEW

BGA1-74-SS-OS Shown Above

Dimensions:

Freight Class: 100

Model	Overall Height: 32.5 in./48.90cm		Depth Overall: 26.38/67.00cm				Cube ft. Crated	Crated Ship Weight	
	Overall		Section 1 Length		Section 2 - Length			lbs.	kg
	in.	cm	in.	cm	in.	cm			
BGA1-32-SS-OS	31.75	80.65	28.75	73.025	N/A		18	72	32.66
BGA1-46-SS-OS	45.75	116.21	42.75	108.59	N/A		21	93	42.18
BGA1-60-SS-OS	59.75	151.77	56.75	144.145	N/A		31	114	51.71
BGA1-74-SS-OS	73.75	187.33	42.375	107.63	28.375	72.07	45	142	64.41
BGA1-88-SS-OS	87.75	222.89	42.375	107.63	42.375	107.63	54	170	77.11

BGA1 = Single Deck

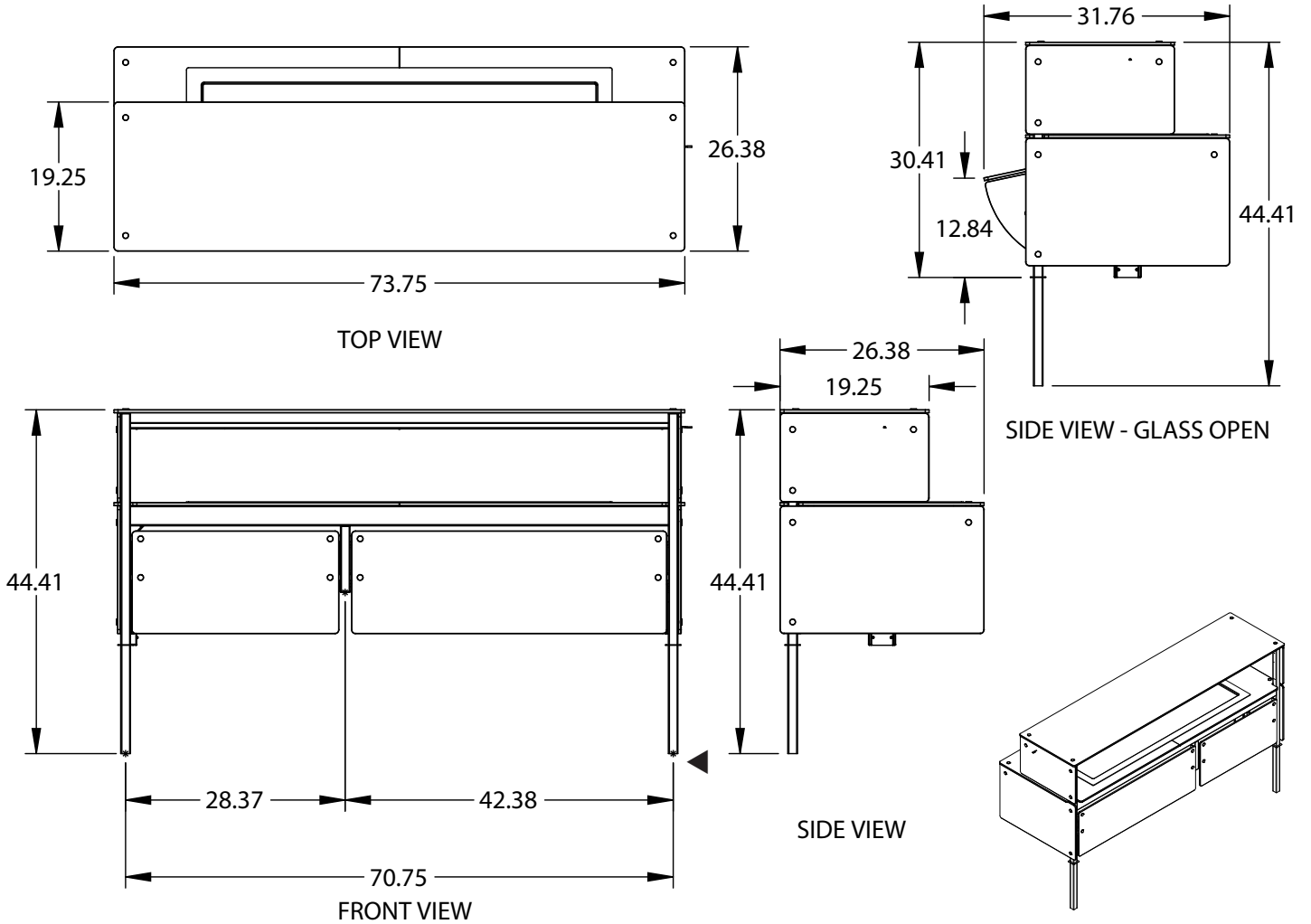
SS-1272 BGA Food Guard with Over shelf

120 Volt Electrical Specs		
LED Only NEMA 5-15P		
Model	Watts`	Amps
BGA2-32-SS	12.0	0.10
BGA2-46-SS	19.2	0.16
BGA2-60-SS	33.6	0.28
BGA2-74-SS	40.8	0.34
BGA2-88-SS	48.0	0.40

BGA2 Double Deck Single Sided - Over Shelf

FOOD GUARD BGA SERIES 1 & 2

◀ Electrical Connection



Catalog No. Through Mount

BGA2-74-SS-OS Shown Above

Dimensions:

Freight Class: 100

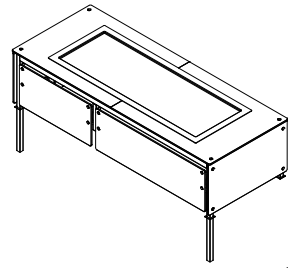
Overall Height:		44.5 in. /113.03 cm		Depth Overall:		26.38 in./67.00 cm			
Model	Length		Section 1 Length		Section 2 - Length		Cube ft. Crated	Crated Ship Weight	
	Overall		CL/CL		CL/CL			lbs.	kg
	in.	cm	in.	cm	in.	cm			
BGA2-32-SS	31.75	80.65	28.75	73.025	N/A		23	93	42.18
BGA2-46-SS	45.75	116.21	42.75	108.59	N/A		28	114	51.71
BGA2-60-SS	59.75	151.77	56.75	144.145	N/A		40	135	61.23
BGA2-74-SS	73.75	187.33	42.375	107.63	28.375	72.07	50	163	73.94
BGA2-88-SS	87.75	222.89	42.375	107.63	42.375	107.63	65	191	86.64

BGA2 = Double Deck

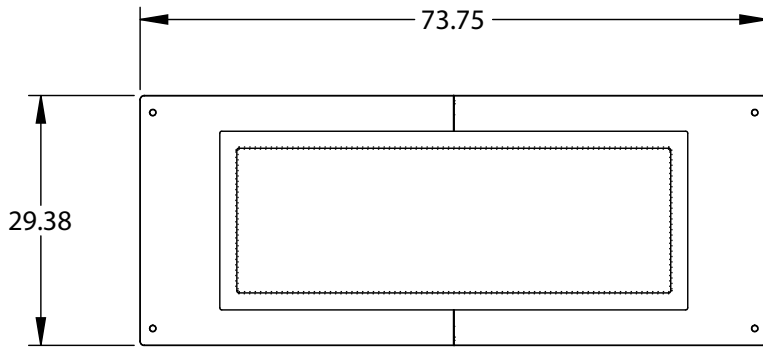
SS-1272 BGA Food Guard with Over shelf

A.I.A. File No. 35-C-13

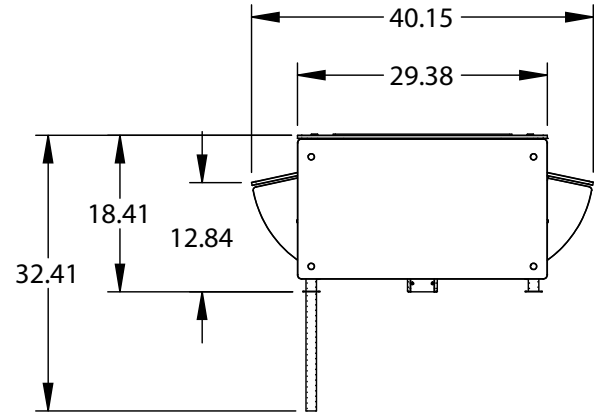
BGA1 Single Shelf Double Sided with Over Shelf



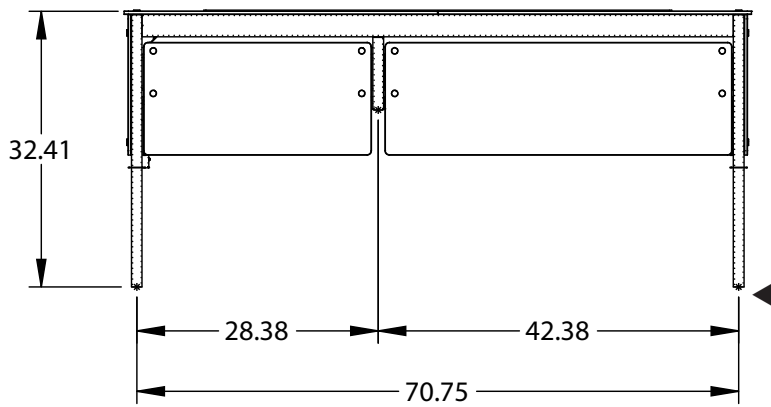
Electrical Connection



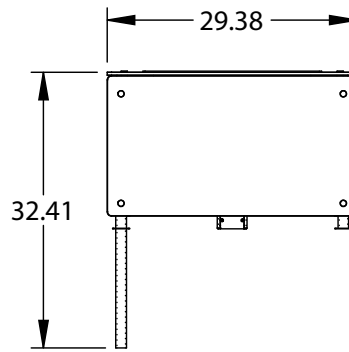
TOP VIEW



SIDE VIEW - GLASS OPEN



FRONT VIEW



SIDE VIEW

BGA1-74-DS-OS Shown Above

Dimensions:

Freight Class: 100

Model	Length		Section 1 Length		Section 2 - Length		Cube ft. Crated	Crated Ship Weight	
	Overall		CL/CL		CL/CL			lbs.	kg
	in.	cm	in.	cm	in.	cm			
BGA1-32-DS-OS	31.75	80.65	28.75	73.025	N/A		36	86	39.01
BGA1-46-DS-OS	45.75	116.21	42.75	108.59	N/A		42	107	48.53
BGA1-60-DS-OS	59.75	151.77	56.75	144.145	N/A		62	128	58.06
BGA1-74-DS-OS	73.75	187.33	42.375	107.63	28.375	72.07	90	156	70.76
BGA1-88-DS-OS	87.75	222.89	42.375	107.63	42.375	107.63	108	184	83.46

BGA1 = Single Shelf

DS = Double Sided

OS = Over Shelf

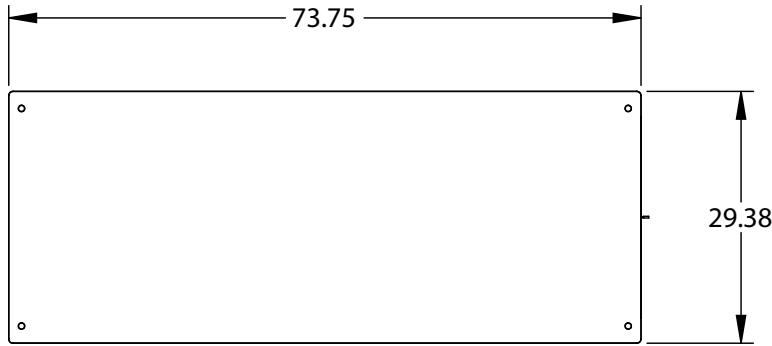
SS-1272 BGA Food Guard with Over shelf

BGA2 Double Deck Double Sided with Over Shelf

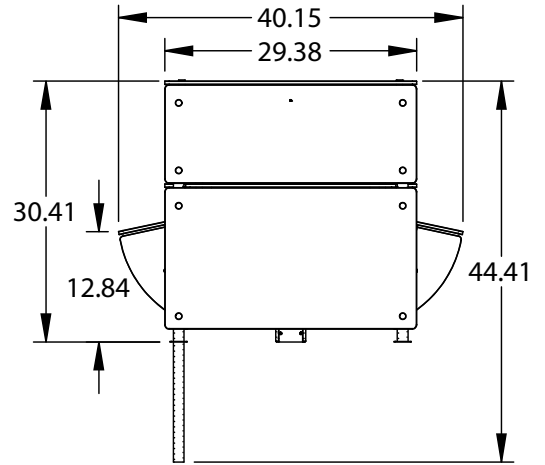
FOOD GUARD BGA SERIES 1 & 2

120 Volt Electrical Specs		
LED Only NEMA 5-15P		
Model	Watts`	Amps
BGA2-32-DS	12.0	0.10
BGA2-46-DS	19.2	0.16
BGA2-60-DS	33.6	0.28
BGA2-74-DS	40.8	0.34
BGA2-88-DS	48.0	0.40

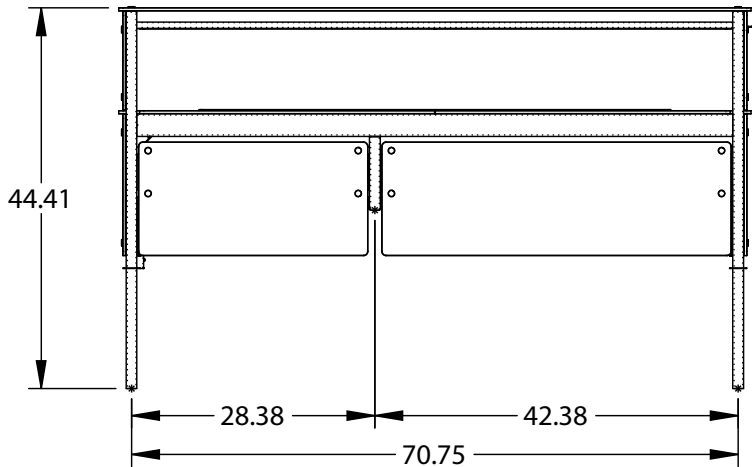
◀ Electrical Connection



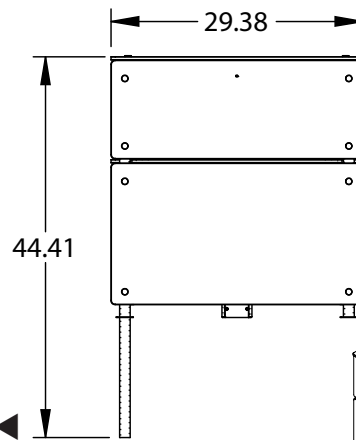
TOP VIEW



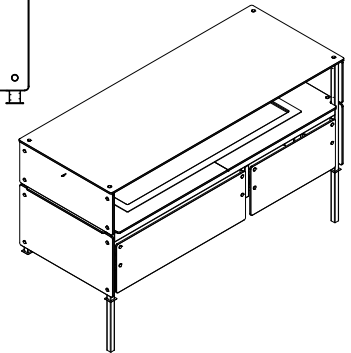
SIDE VIEW - GLASS OPEN



FRONT VIEW



SIDE VIEW



Catalog No. Through Mount

Dimensions:

BGA2-74-DS-OS Shown Above

Freight Class: 100

Model	Length		Section 1 Length		Section 2 - Length		Cube ft. Crated	Crated Ship Weight	
	Overall		CL/CL		CL/CL			lbs.	kg
	in.	cm	in.	cm	in.	cm			
BGA2-32-DS	31.75	80.65	28.75	73.025	N/A		28	107	48.53
BGA2-46-DS	45.75	116.21	42.75	108.59	N/A		35	128	58.06
BGA2-60-DS	59.75	151.77	56.75	144.145	N/A		41	149	67.59
BGA2-74-DS	73.75	187.33	42.375	107.63	28.375	72.07	51	177	80.29
BGA2-88-DS	87.75	222.89	42.375	107.63	42.375	107.63	62	205	92.99

BGA2 = Double Shelf

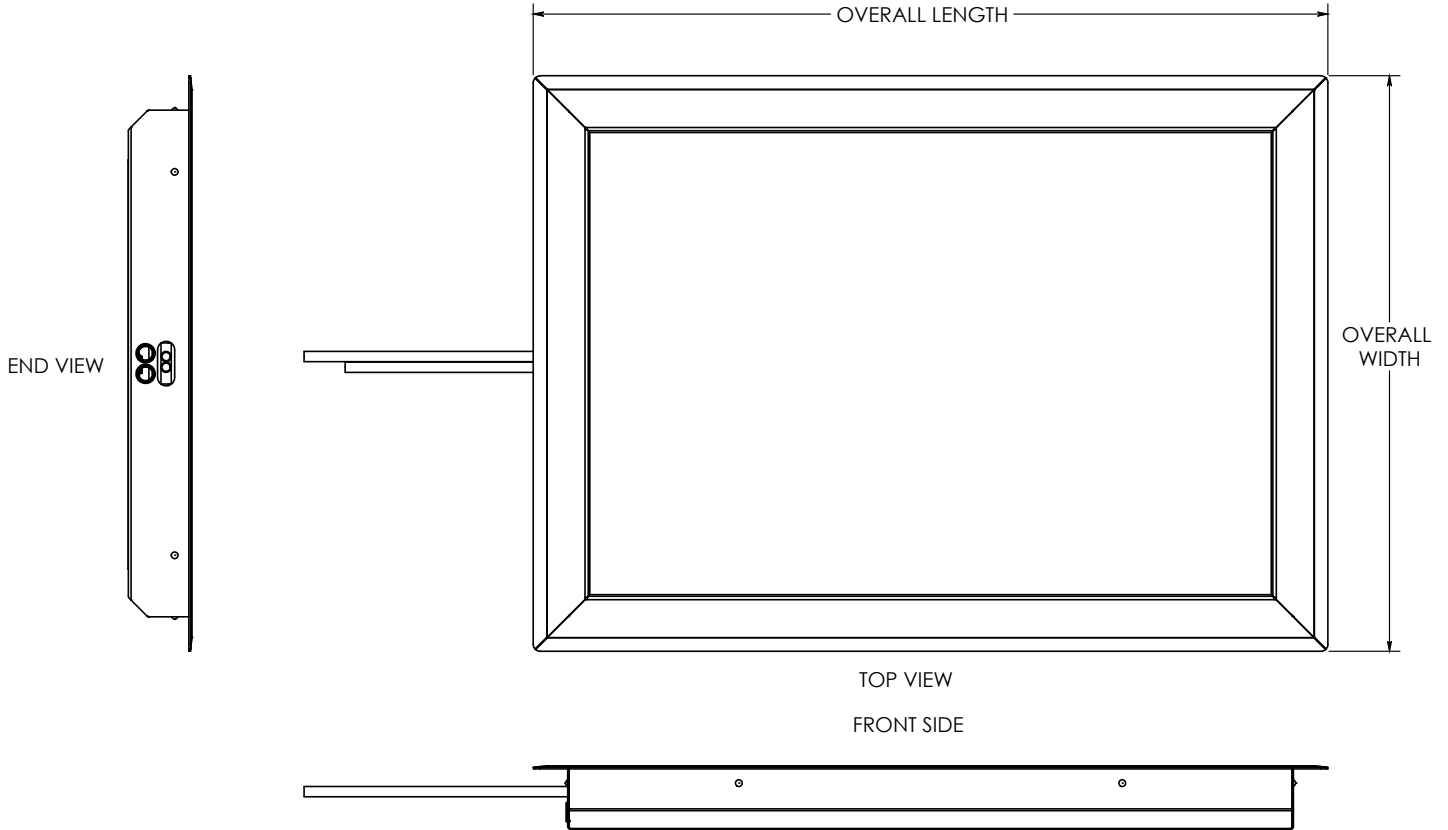
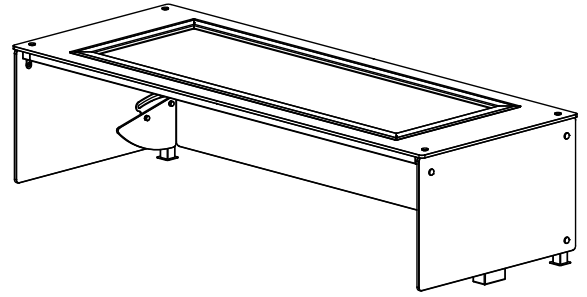
DS = Double Sided

OS = Over Shelf

A.I.A. File No. 35-C-13

BGA Food Guard Series

Over Shelf Specs



ELECTRICAL SPECIFICATIONS:

Model		120 Volt - HZ 60			Model		120 Volt - HZ 60			Model		120 Volt - HZ 60		
		Amps	NEMA	Direct Wired			Amps	NEMA	Direct Wired			Amps	NEMA	Direct Wired
HFO1-SL	Hot Frost - Slim Line	5.8	5-15	Terminal Block	HTO1-SL	Hot Top Only - Slim Line	2.8	5-15	Terminal Block	FTO1-SL	Frost Top Only - Slim Line	5.8	5-15	Terminal Block
HFO2-SL	Hot Frost - Slim Line	5.8	5-15		HTO2-SL	Hot Top Only - Slim Line	5.3	5-15		FTO2-SL	Frost Top Only - Slim Line	5.8	5-15	

Note: Must be mounted in a BG/BGA food guard and only available in a Duke Thurmaduke or CounterCraft Counter

