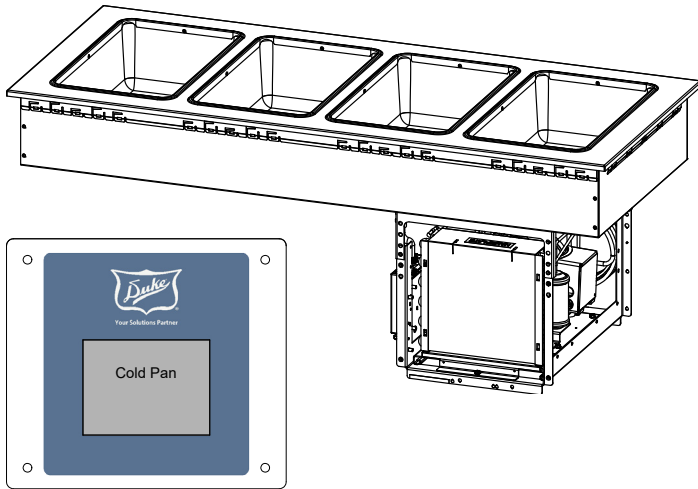




Your Solutions Partner

Specifications

F.O.B. Sedalia, Missouri 65301



Model FCP4 Shown

OPTIONS:

- No-Drain (required for California)
- Slanted kit option
- Slimline Mount - replace "SB with SL - with drains "-D"
- Digital Control mounted to side of compressor cage
- Condensate evaporator
- Stainless steel louver panel for compressor cage

Agency Listings:



DUKE MANUFACTURING CO.

2305 N. Broadway

St. Louis, MO 63102

800.735.3853 Toll Free

314.231.5074 Fax

www.dukemfg.com

SS-1249 Flush Mount Cold Pan

Approval Stamp(s):

PRODUCT INFORMATION:

PROJECT: _____

ITEM: _____

QUANTITY: _____

MODEL:

Drop In Flush Mount Cold Pan

- FCP1 Drop In, Flush Cold Pan 1-section with drain
- FCP2 Drop In, Flush Cold Pan 2-section with drain
- FCP3 Drop In, Flush Cold Pan 3-section with drain
- FCP4 Drop In, Flush Cold Pan 4-section with drain
- FCP5 Drop In, Flush Cold Pan 5-section with drain
- FCP6 Drop In, Flush Cold Pan 6-section with drain

BODY:

- Top mount with flush mount pans
- Top – heavy gauge 300 series stainless steel
- Stamped top wells available for standard wells
- Exterior outer body - paint grip steel, one body housing all wells
- Standard 14" horizontal spacing for wells
- High density CFC free polyurethane foam insulation (zero global warming potential (GWP), & zero ozone depletion potential (ODP))

FEATURES:

- Standard food pan - 12 x 20
- Will also accommodate 1/2 and 1/3rd size pans
- Capacity: 1 - 6 section units
- Accepts up to 6" deep full size food pans
- Food pans flush with top (not recessed)
- Standard - drain for each well, (manifolded to one location)
- Fits in ThurmaDuke bodies (same counter cutout sizes as stnd N7 cold pans)
- Slimline – 2-3 Sections
- Refrigerant – Environmentally safe R448a
- Individual coils for each well
- TXV control for optimal performance
- Open suspended compressor compartment
- Compressor slides out for easy service
- 6 Foot Power Cord

CONTROLS

- Standard intuitive, easy to use touch screen control
- WIFI and Bluetooth connectivity
- On/Off Switch

Specification subject to change



Drop In Flush Cold Pan

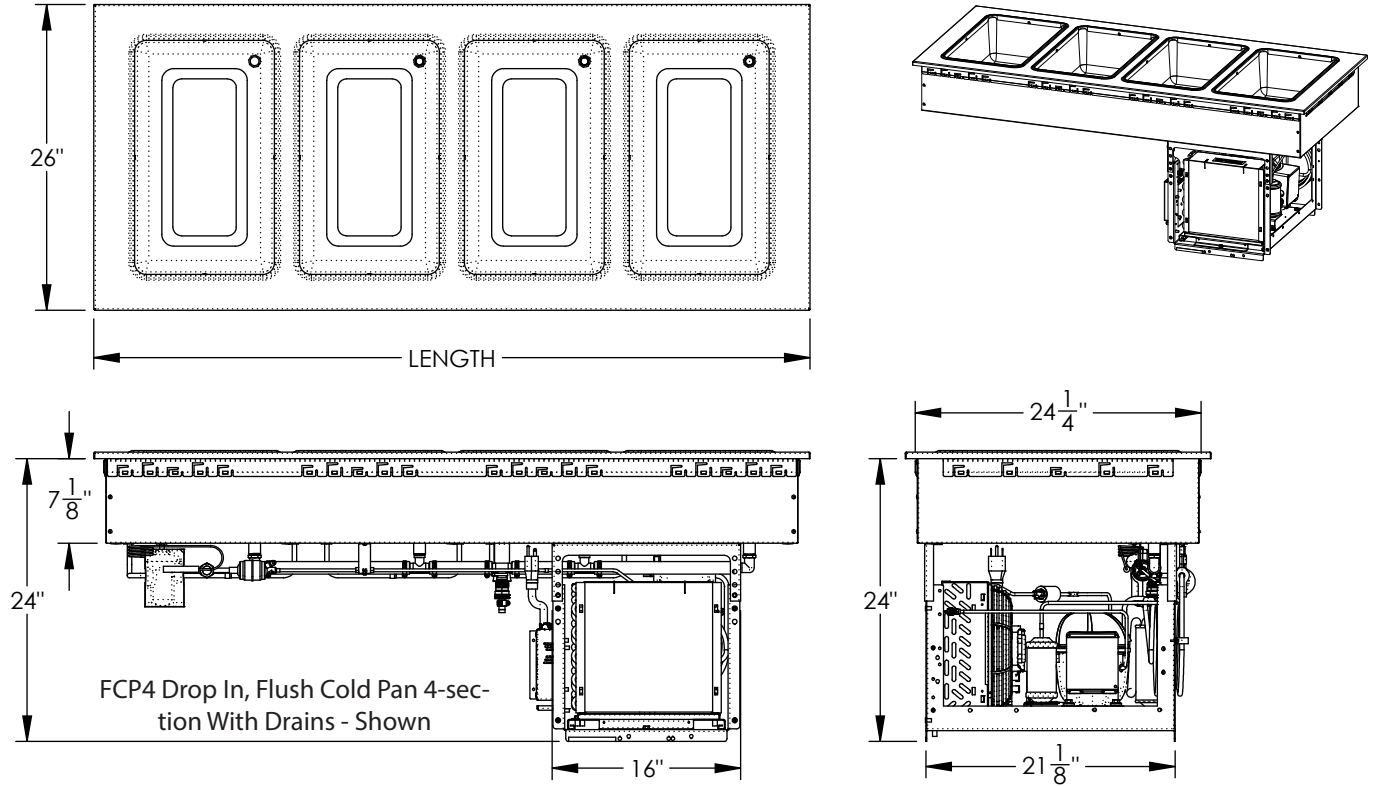
Catalog No. Cold Pan

A.I.A. File No. 35-C-13

Drop In Flush Mount Cold Pan

A.I.A. File No. 35-C-13

Catalog No. Cold Pan

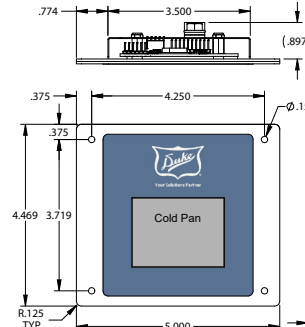


ELECTRICAL SPECIFICATIONS:

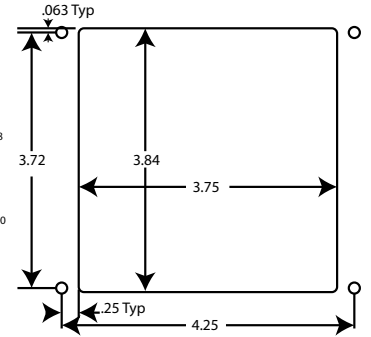
If using optional electric condensate evaporator add 300 Watts, 2.6 Amps

Model	120 Volt - HZ 60		
	Watts*	Amps*	NEMA
FCP1-SB	432	3.7	5-15
FCP2-SB	432	3.7	5-15
FCP3-SB	576	4.9	5-15
FCP4-SB	576	4.9	5-15
FCP5-SB	576	4.9	5-15
FCP6-SB	576	4.9	5-15

Control Specifications



Control Cutout



DIMENSIONS:

Freight Class: 100

Model	Height		Length		Width		Counter Top Cutouts		Cube ft. crated	Crated Ship Weight	
	in.	cm	in.	cm	in.	cm	Width.	Length		lbs.	kg
FCP1-SB	24.0	60.96	18.81	40.16	26.00	66.04	24.625	17.5	10.2	150	68.2
FCP2-SB	24.0	60.96	32.81	83.34	26.00	66.04	24.625	31.5	16.2	160	72.3
FCP3-SB	24.0	60.96	46.81	118.90	26.00	66.04	24.625	45.5	22.1	175	90.9
FCP4-SB	24.0	60.96	60.81	154.46	26.00	66.04	24.625	59.5	28.1	200	113.6
FCP5-SB	24.0	60.96	74.81	215.42	26.00	66.04	24.625	73.5	34.0	230	138.6
FCP6-SB	24.0	60.96	88.81	225.75	26.00	66.04	24.625	87.5	40.0	280	159.1

This product may be covered by one or more patents or pending patent applications. For more details, see: www.dukemfg.com/patents

Drop In Flush Cold Pan



Duke Manufacturing Co.
2305 N. Broadway
St. Louis, MO 63102

Phone: 314-231-1130
Toll Free: 1-800-735-3853
Fax: 314-231-5074

www.dukemfg.com

Printed in U.S.A
© 2024, Duke Manufacturing Co.