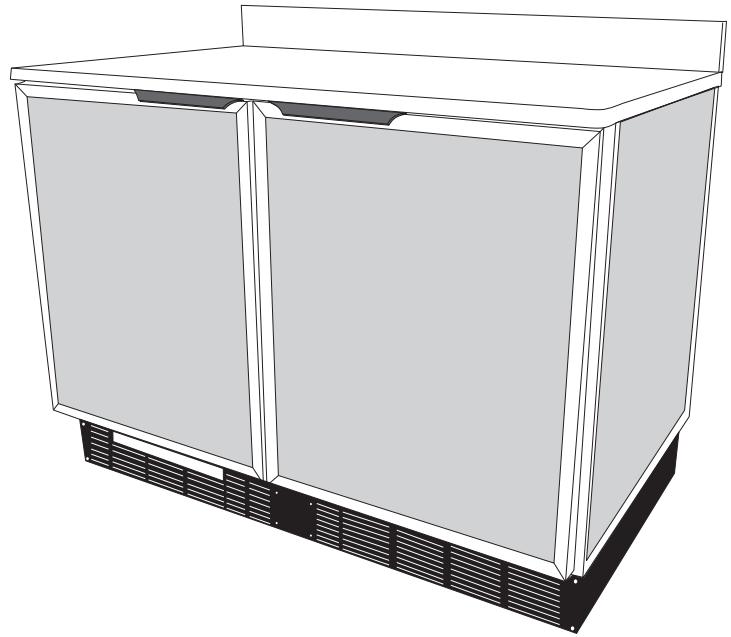




Your Solutions Partner

Illustrated Parts List



REFRIGERATED BACK BAR

MODEL

RUF-48

This manual is Copyright © 2022 Duke Manufacturing Co. All rights reserved.
Reproduction without written permission is prohibited. Duke is a registered
trademark of the Duke Manufacturing Co..

Duke Manufacturing Co.

2305 N. Broadway
St. Louis, MO 63102
Phone: 314-231-1130
Toll Free: 1-800-735-3853
Fax: 314-231-5074
www.dukemfg.com

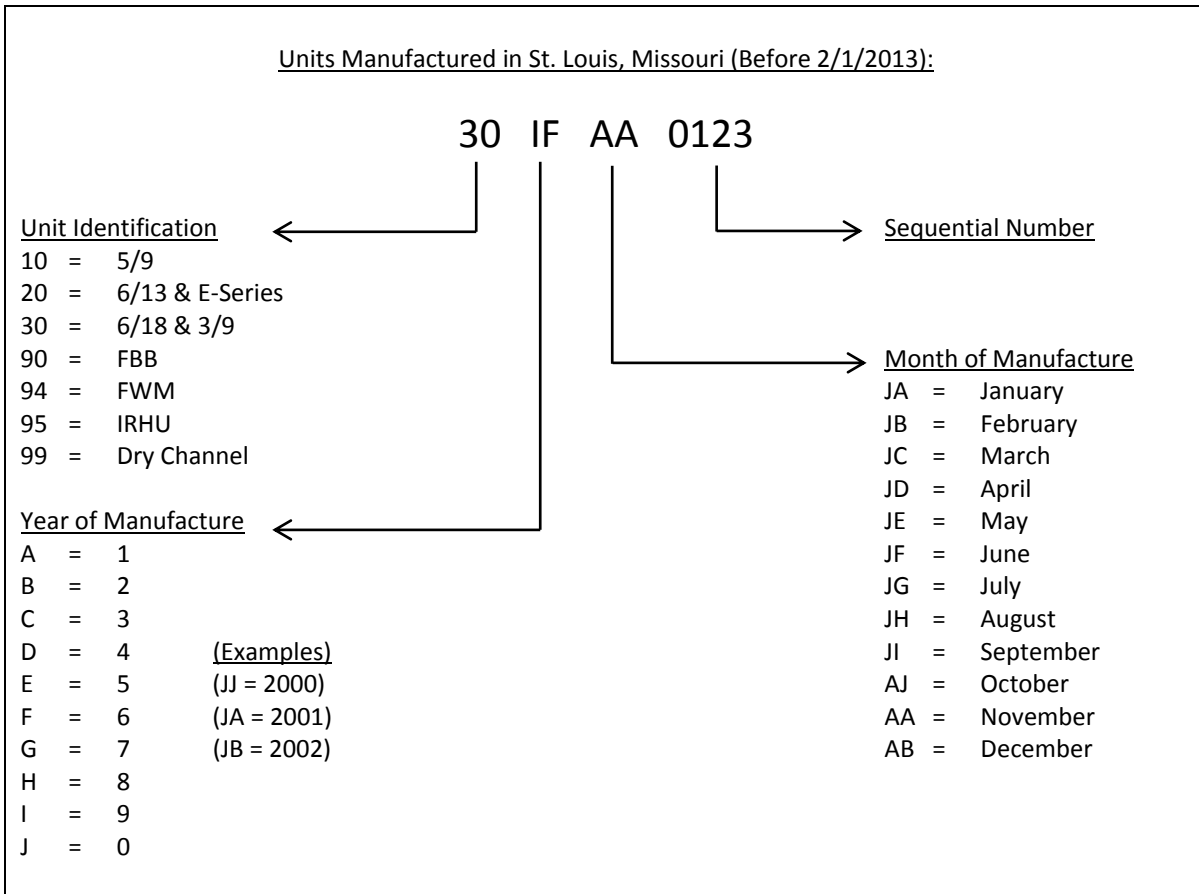
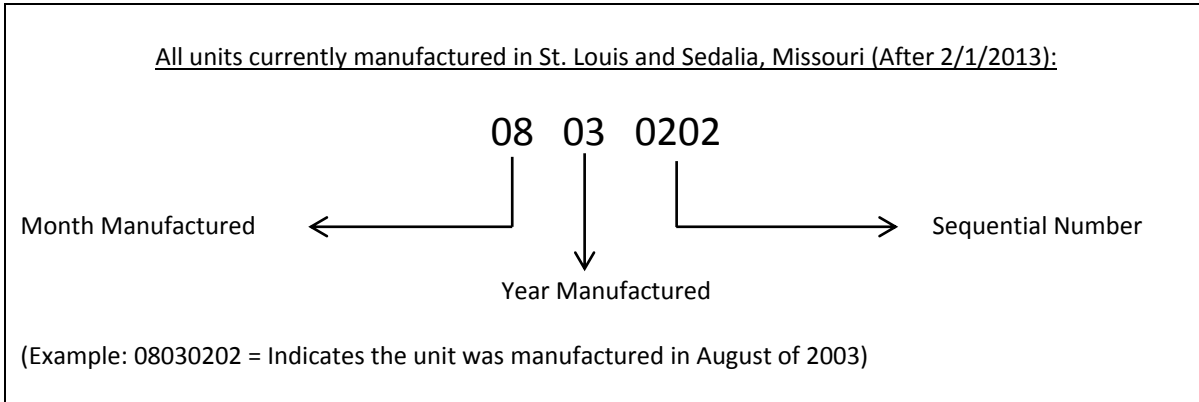


TABLE OF CONTENTS

HOW TO DETERMINE MANUFACTURE DATE FROM DUKE EQUIPMENT SERIAL NUMBERS

MAIN CABINET.....	4
Table: PL-1 Main Cabinet	4
Figure: PL-1 Main Cabinet.....	5
DOOR ASSEMBLY	6
Table: PL-2 Door Assembly.....	6
Figure: PL-2 Door Assembly.....	7
513a/134a REFRIGERATION UNIT.....	8
Table: PL-1 Refrigeation Unit.....	8
Figure: PL-2 Refrigeation Unit.....	8
R290 REFRIGERATION UNIT.....	11
WIRE DIAGRAM 120VAC, RUF.....	13
WIRE DIAGRAM 240VAC, RUF.....	14

How to Determine Manufacture Date from Duke Equipment Serial Numbers



MAIN CABINET

ITEM	QTY.	PART NO.	DESCRIPTION
1	1	259892	Kit, RUF Evaporator Cover w/Guard (Mechanical)
	1	257312	Assy, RUF Evap, 120V (Digital - Prior to Serial #04170731)
	1	1064-2025	Assy, RUF Evap, 120V (Digital - Begining Serial #04170731)
Not Shown	1	1064-0078	Guard, Fan RUF (Ref, 1064-2025)
Not Shown	1	2504425	Evaporator Panel and Fan Mount Ring (Ref, 1064-2025)
2	1	RUF-FAN-ASY-220	Evaporator Fan Motor & Blade Replacement, 220V, 50/60Hz
	1	RUF-FAN-ASY-120	Evaporator Fan Motor & Blade Replacement, 120V, 60Hz
*	1	226211	*Evaporator Fan Motor 100-240Vac 50-60Hz (Start Date 12/06/2016)
*	1	226209	*Evaporator Fan Blade (Start Date 12/06/2016)
3	1	COLD-KIT	Thermostat Kit (April 1995 to Nov 2012)
	1	226930-FK	Thermostat/Controller, BIT25 (Fahrenheit - Starting Nov 2012)
	1	226930-CK	Thermostat/Controller, BIT25 (Celsius - Starting Nov 2012)
			(BIT25 Thermostat 226930 replaces LAE Thermostats 216827& 216830)
Not Shown	1	216834	Sensor T1 LAE AD2-28 (Ref-226930)
Not Shown	1	226606	Sensor, Evap. Temp. (Ref-226930)
	1	216839	Thermostat, 115V Digital Elreha, LAE, TARN21170VK002
Not Shown	9 Ft	216526	Capil Tube .050
Not Shown	5 Ft	216599	Capil Tube .054 (PRIOR TO 04-17-2002)
Not Shown	1	226212	Expansion Valve, EFJ-18-C, TXV
4	1	250078	Angle Trim, Front Assembly, Left
	1	250079	Angle Trim, Front Assembly, Right
5	2	RS003089	Laminate, Font Hill Pear, End Panel
	2	2501414	Laminate, 430SS, End Panel
	1	FORM-SSLAM-ENDLT-FS	Replacement Kit, SS Laminate w/Trim, Left Cabinet End
	1	FORM-SSLAM-ENDRT-FS	Replacement Kit, SS Laminate w/Trim, Right Cabinet End
	1	FORM-SSLAM-END-FS	Replacement Kit, SS Laminate w/Trim R & L Cabinet Ends
6	1	DOOR-RUF48L-FHP	Door RUF48, FHP, Replacement, Left Horizontal Handle
	1	DOOR-RUF48L-SS	Replacement Door, RUF48, Left, SS Laminate, Narrow Trim
7	1	DOOR-RUF48R-FHP	Door RUF48, FHP, Replacement, Right Horizontal Handle
	1	DOOR-RUF48R-SS	Replacement Door, RUF48, Right, SS Laminate, Narrow Trim
	1	2501541	Door, RUF48, SS Laminate & Narrow Trim (Must Specify Right or Left Assy)
8	1	251416	Front Kick Plate with Filter Slot
9	4	251420	Door Hinge, Solid Rod
	4	2540100032	Door Hinge with L-Bracket -older style
	4	215045	Hinge Pin Bronze Bushing - older style
	4	214678	Hinge Pin - older style
10	4	214524	Caster, with Lock
	4	214556	Leg
11	2	250062	Angle Trim, Rear
12	2	250077	Angle Trim, BB End Assembly
13	2	RUF-RACK-RT	Wire Rack, Right
14	2	RUF-RACK-LT	Wire Rack, Left
Not Shown	8	214777	Stud,Position 5/8" Body Set Screw Length- 7/16"
16	2	2520040021	Kick Plate, End
17	1	2420050041	Kick Plate, Rear
18	1	255451	Thermostat Bracket
19	1	216516	Evaporator Coil
20	1	256010	Assy, Top, RUF 48 120V
	1	256011	Assy, Top, RUF 48 220V
21	1	217098	Filter, Air 10" x 24" x 1"
Not Shown	2	215321	Stripping, Door Sweep
Not Shown	1	216575	Thermometer, 120VAC units
Not Shown	1	216843	Digital Readout Thermometer, 220VAC units
Not Shown	A/R	214734	Plastic Plugs for Shelf Pin Holes
Not Shown	1	SUB-RUF-MULLION	Replacement Mullion Assembly, RUF

Table: PL-1 Main Cabinet

MAIN CABINET

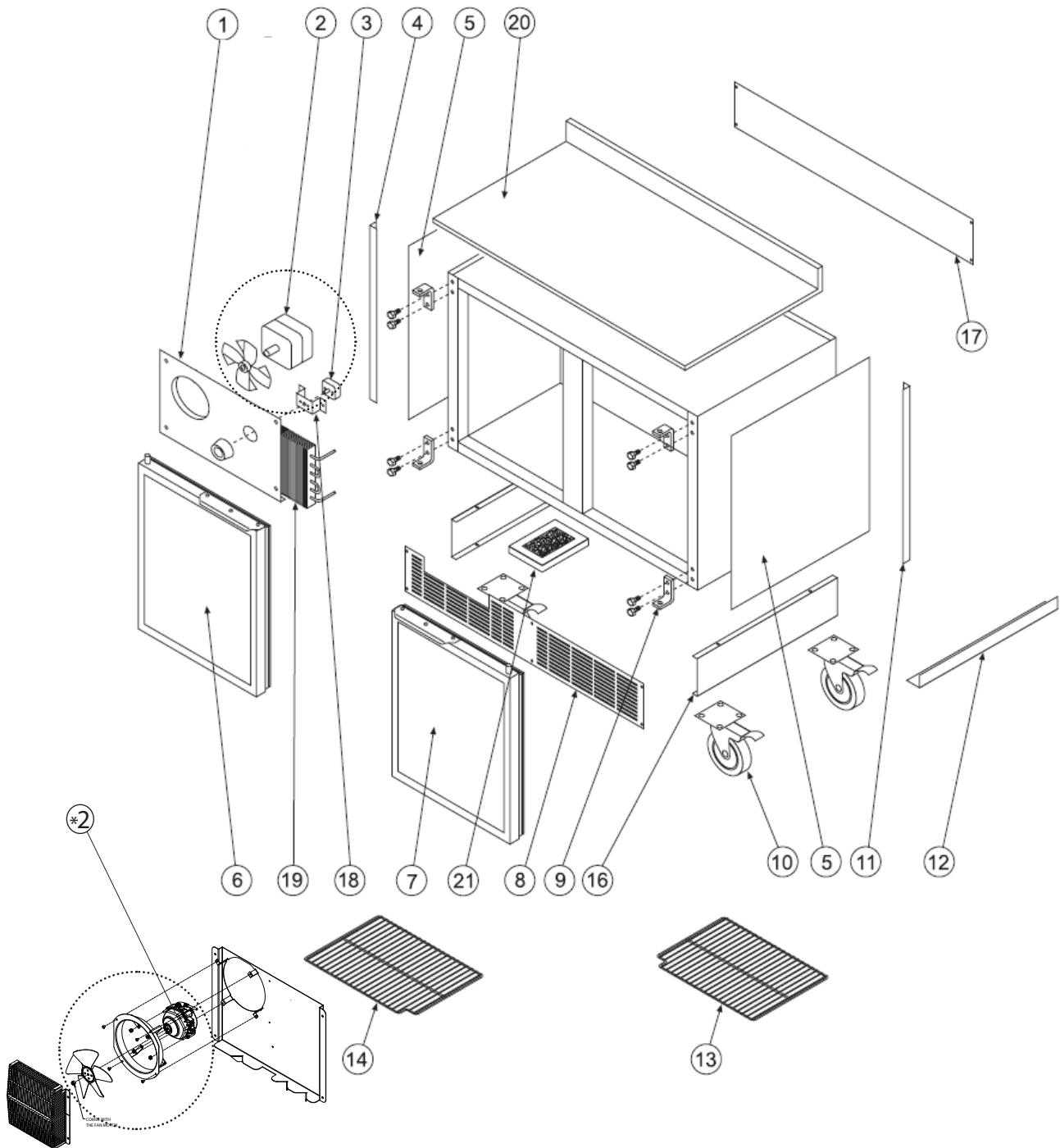


Figure: PL-1 Main Cabinet



DOOR ASSEMBLY

ITEM	QTY.	PART NO.	DESCRIPTION
1	2	215319	Rod, Door, 3/8"
2	1	256097	Assembly, Trim, RBC Door, 4' Std. Ht. Welded & Polished
1 TRIM-NAR-RUF48-WL		Replacement, Narrow Door Trim, RUF48, Welded & Polished	
3	2	RS003087	Laminate, Font Hill Pear, 23.25" x 28", No Waste
2	2501400	Laminate, 430SS, 23.25" x 28.188", No Waste	
Not Shown	1	FORM-SSLAM-48RUF-FS	Replacement Kit, SS Door Laminate, w/Narrow Trim
4	2	251440	Door, RUF
5	2	216087	Insulation, Door RUF
6	2	216683	Door, Gasket (Screw on style) Magnetic, 21.5 x 26.625
Not Shown	2	226601	Door, Gasket (Press in style) Magnetic, 21.875 x 27.312
7	2	2544370272	Panel, Door Interior
8	26	213032	Screw, 8-18 x 1/2"
9	6	213391	Screw for 215139 & 225139 Handle
10	2	225500	Kit, Handle, Aluminum, Black, Painted (Top Mount)
	2	253430	Handle, Stainless Steel (Top Mount)
	2	214825	Handle, Black 6" (Face Mount)
Not Shown	2	214896	Black Strip, Door Handle
11	4	213325	Washer
12	4	213324	E-Clip, SS

Table: PL-2 Door Assembly

DOOR ASSEMBLY

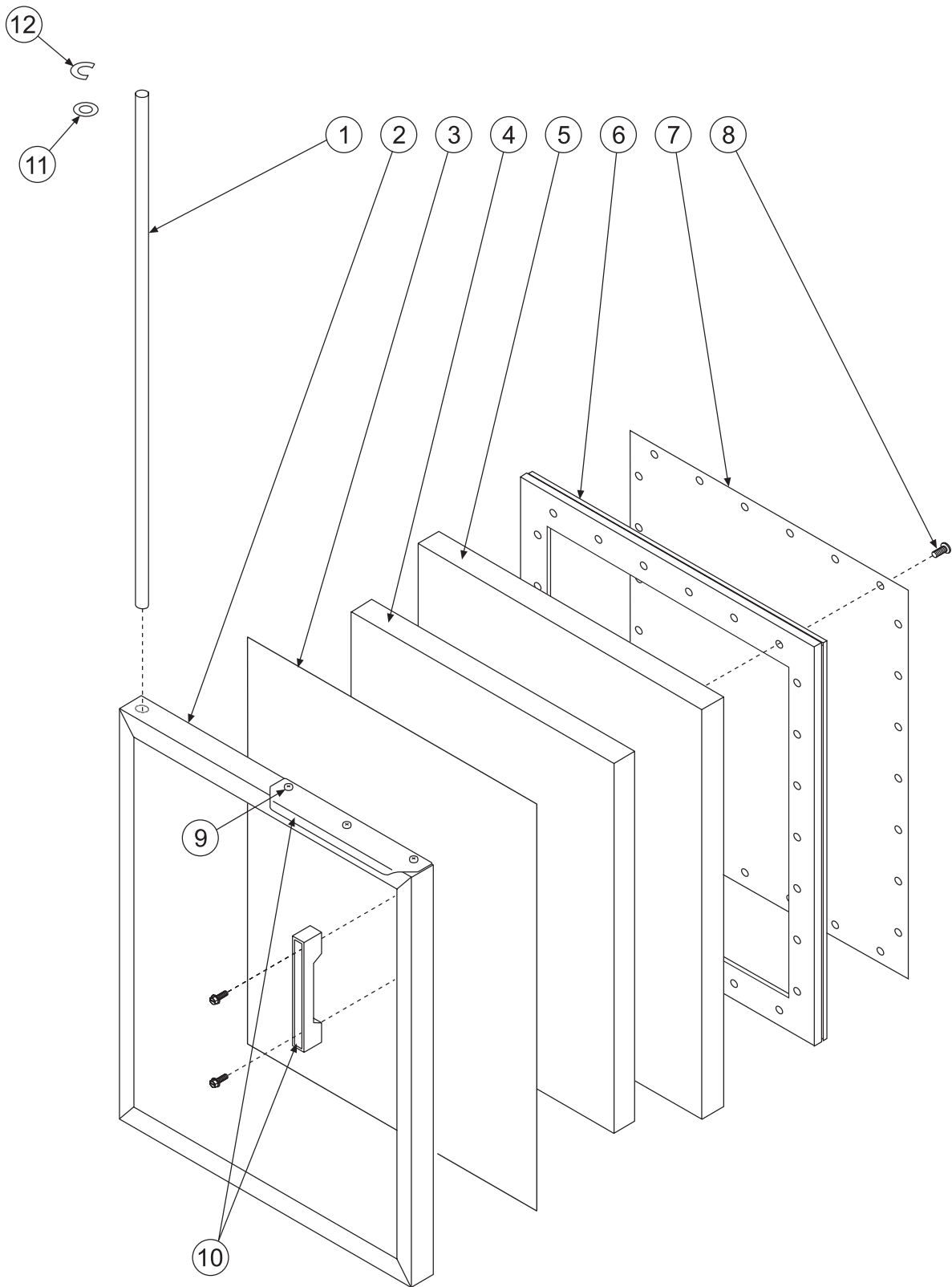


Figure: PL-2 Door Assembly

513A/134A REFRIGERATION UNIT

ITEM	QTY.	PART NO.	DESCRIPTION	
1	1	259891	Kit, RUF Condensation Pan (Includes Angle & Hardware)	Not Shown
1216486 Condensing Unit, 120VAC 60Hz (Replaced by 226740)				
2	1	527833	Compressor, for 216486 Condensing Unit, 120V/60Hz	
3	1	217828	Fan Motor, for 216486 Condensing Unit, 120V/60Hz	
7	1	217825	Overload Protector, for 216486 Condensing Unit, 120V/60Hz	
Not Shown	1	217826	Relay, Emerson, for 216486 Condensing Unit, 120V/60Hz	
Not Shown	1	217843	Start Capacitor, for 216468 Condensing Unit, 120V/60Hz	
Not Shown	1	216616	Filter Dryer #DXA-5	
Not Shown 1 226740 Condensing Unit, 120V 60Hz (Begining Serial #03171105) <i>(226740 is No Longer Available, replaced by 226943)</i>				
2	1	227832	Compressor, for 226740 Condensing Unit, 120V/60Hz	
3	1	217808	Fan Motor, for 226740 Condensing Unit, 120V/60Hz	
4	1	527802	Fan Blade, for 226740 Condensing Unit	
5	1	527803	Condenser Coil, for 226740 Condensing Unit	
7	1	227828	Overload Protector, for 226740 Condensing Unit, 120V/60Hz	
Not Shown	1	227827	Relay, for 226740 Condensing Unit, 120V/60Hz	
Not Shown	1	227826	Start Capacitor, for 226740 Condensing Unit, 120V/60Hz	
Not Shown	1	527807	Filter Dryer, for 226740 Condensing Unit	
Not Shown	1	527808	Sight Glass, for 226740 Condensing Unit	
Not Shown	1	226212	Expansion Valve, EFJ-18-C, TXV, for 226740 Condensing Unit	
Not Shown	1	2505772	Kit, Replace Condenser Old Style Ruf-48	
Not Shown 1 226943 Condensing Unit, 115V 60Hz (Begining Serial #02188362)				
2	1	227832	Compressor for 226943 Condensing Unit	
3	1	527813	Condenser Fan Motor for 226943 Condensing Unit	
4	1	217829	Condenser Fan Blade for 226943 Condensing Unit	
Not Shown	1	527814	Condenser Fan Motor Bracket for 226943 Condensing Unit	
Not Shown	1	227826	Compressor Start Capacitor for 226943 Condensing Unit	
Not Shown	1	227827	Relay for 226943 Condensing Unit	
5	1	527811	Condenser Coil for 226943 Condensing Unit	
7	1	227828	Protector for 226943 Condensing Unit	
Not Shown	1	527812	Condenser Fan Guard for 226943 Condensing Unit	
Not Shown	1	527807	Filter Dryer for 226943 Condensing Unit	
Not Shown	1	527808	Site Glass for 226943 Condensing Unit	
Not Shown	1	226407	High Pressure Cut-Out <i>(Used with 226943, sold separately)</i>	
Not Shown 1 216447 Condensing Unit, 220V 50HZ				
2	1	217837	Compressor, for 216447 Condensing Unit, 220V/50Hz	
3	1	217811	Fan Motor, for 216447 Condensing Unit, 220V/50Hz	
7	1	217862	Overload Protector, for 216447 Condensing Unit, 220V/50Hz	
Not Shown	1	217863	Relay, Emerson, for 216447 Condensing Unit, 220V/50Hz	
Not Shown	1	217864	Start Capacitor, for 216447 Condensing Unit, 220V/50Hz	
Not Shown	1	216616	Filter Dryer #DXA-5	
Not Shown 1 226486 Condensing Unit, 220V 60Hz				
2	1	227912	Compressor, for 226486 Condensing Unit, 220V/60Hz	
3	1	227913	Fan Motor, for 226486 Condensing Unit, 220V/60Hz	
4	1	217829	Fan Blade, for 226486 Condensing Unit	
7	1	217849	Overload Protector, for 226486 Condensing Unit, 220V/60Hz	
Not Shown	1	227911	Relay, for 226486 Condensing Unit, 220V/60Hz	
Not Shown	1	217847	Start Capacitor, for 226486 Condensing Unit, 220V/60Hz)	
Not Shown	1	216616	Filter Dryer #DXA-5	
1 Condenser Coils other than 527803 - Must be ordered as a Condensing Unit				
6	2	2544240022	Angle, Condensation Pan	
8	1	259065	RUF Condensate Evaporator Coil (Formed)	

Table: PL-3 Refrigeration Unit

513A/134A REFRIGERATION UNIT

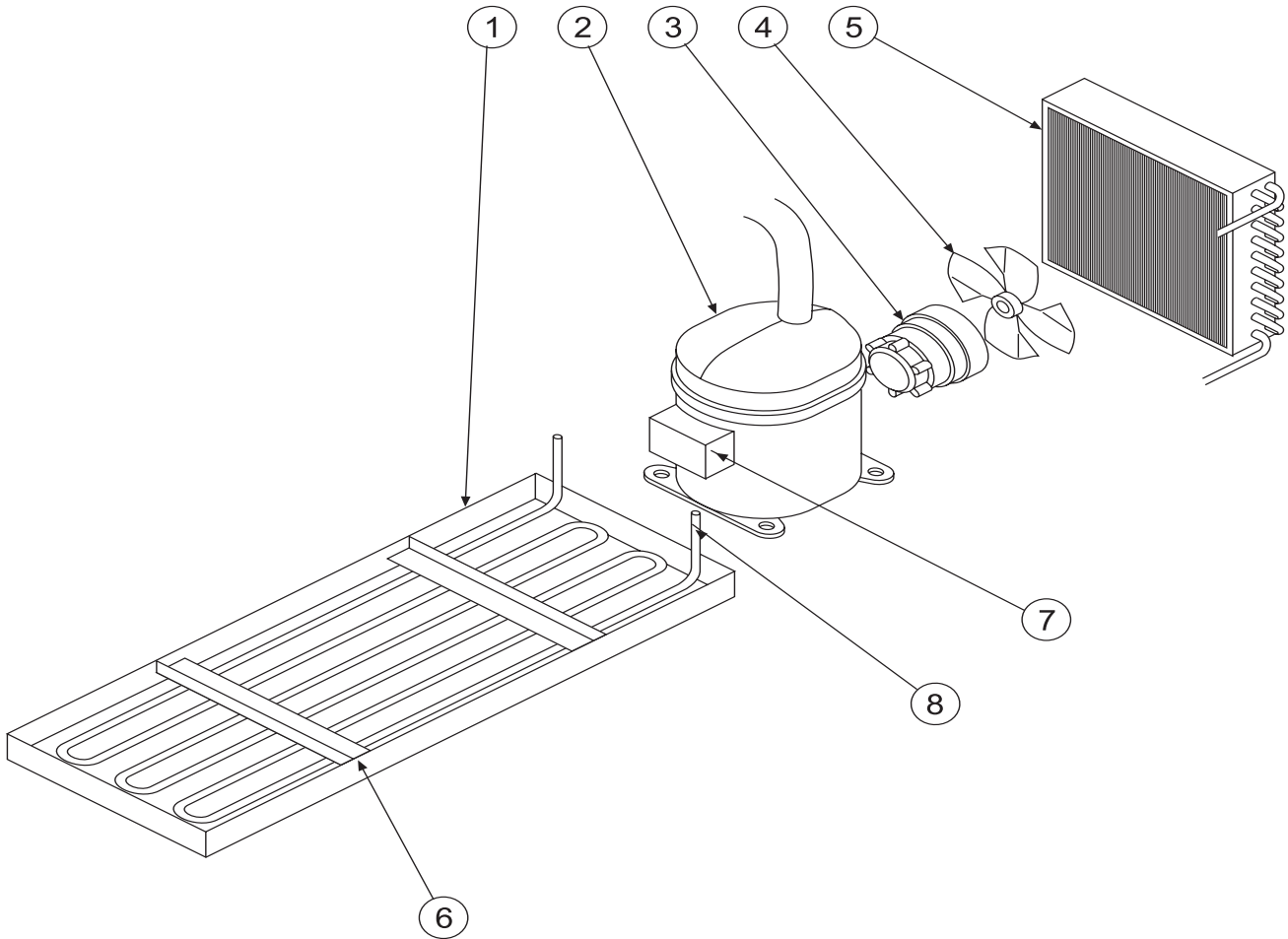
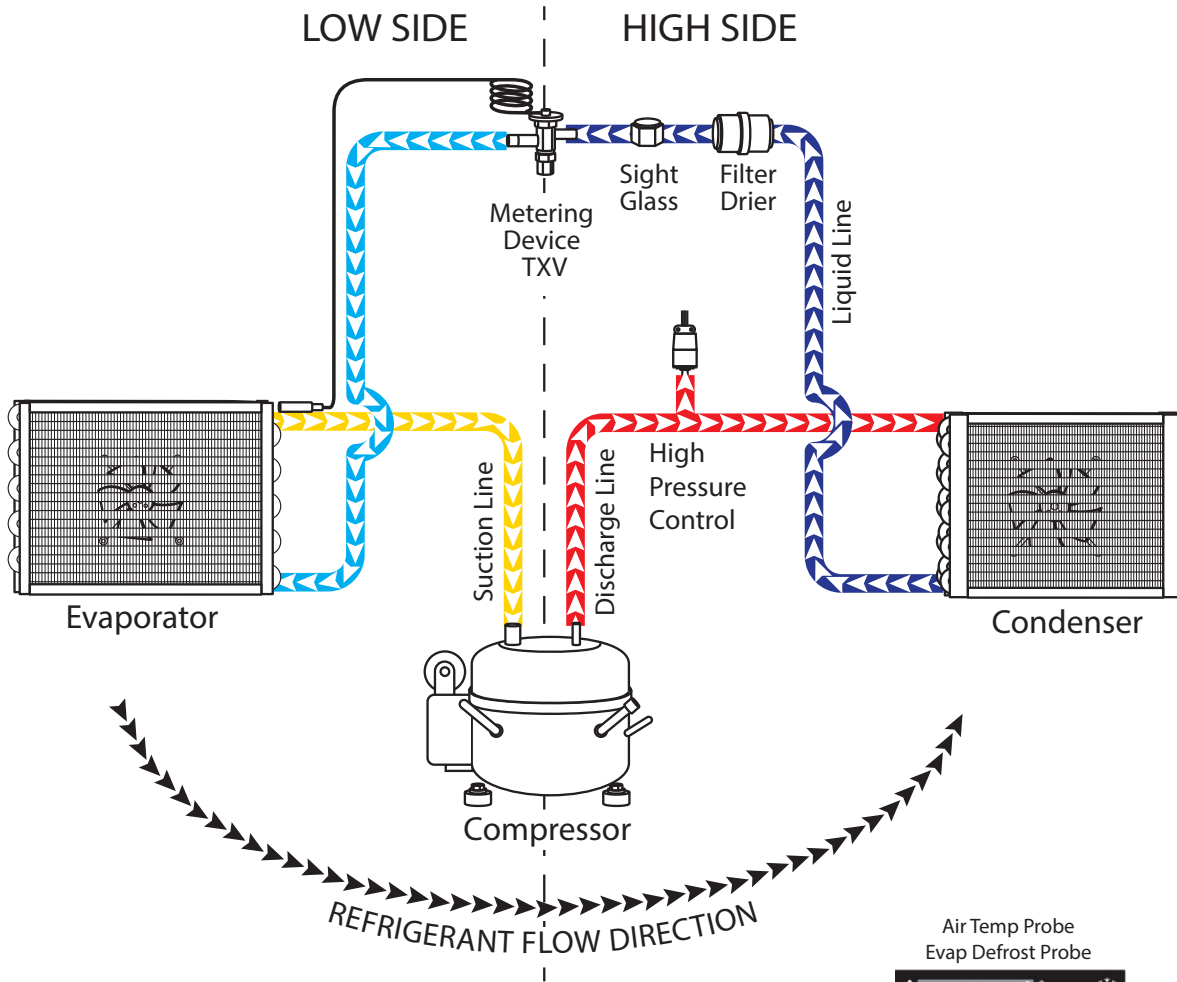
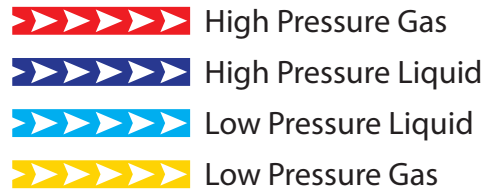
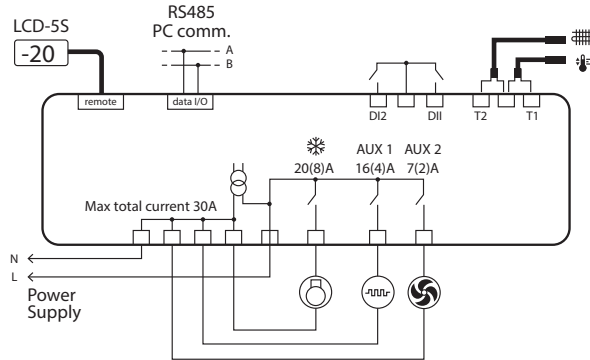
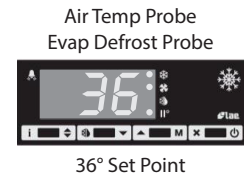


Figure: PL-3 Refrigeration Unit

RUF 48 REFRIGERATION SYSTEM



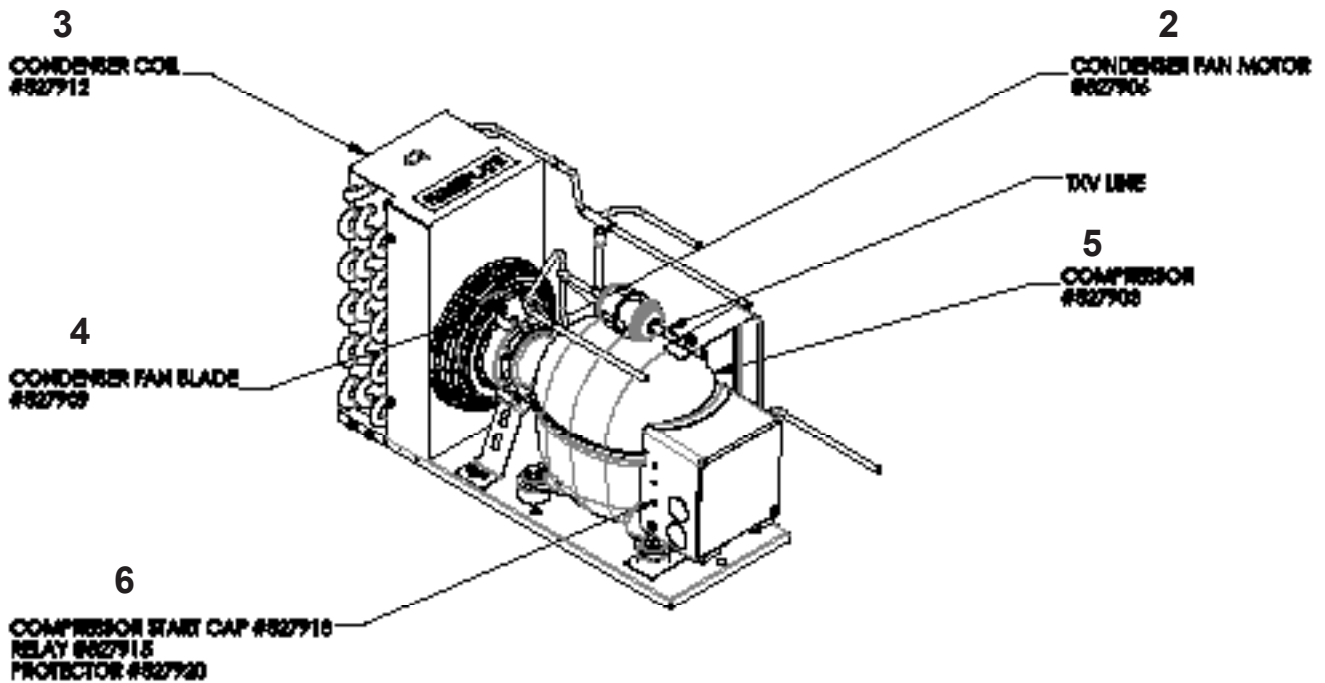
	RUF	
Refrigerant/Charge	513a / 14oz	134a / 14oz
Superheat	4-10°	8-12°
Sub Cooling	10-15°	5-10°
LRA	30.5	18
RLA	4.2	2.8
Oil Type	POE 7oz	POE 12oz
Condenser Fan	120vac .36a	220-240vac .18A
Evaporator Fan	120vac .1-.19a	220-240vac .16A
High Pressure Range @75°	130-150 psig	110-120 psig
Low Pressure Range @75°	18-30 psig	15-30 psig
High Pressure Cut-Out	440	N/A
High Pressure Cut-In	325	N/A



R290 REFRIGERATION UNIT



ITEM	QTY	PART NO.	DESCRIPTION
1	1	516816	CONDENSING UNIT
2	1	527906	CONDENSER FAN MOTOR
3	1	527912	CONDENSER COIL
4	1	527909	CONDENSER FAN BLADE
5	1	527903	COMPRESSOR
	1	527918	START CAP
6	1	527915	RELAY
	1	527920	PROTECTOR
NOT SHOWN	1	216526	CAP TUBE .050 10'

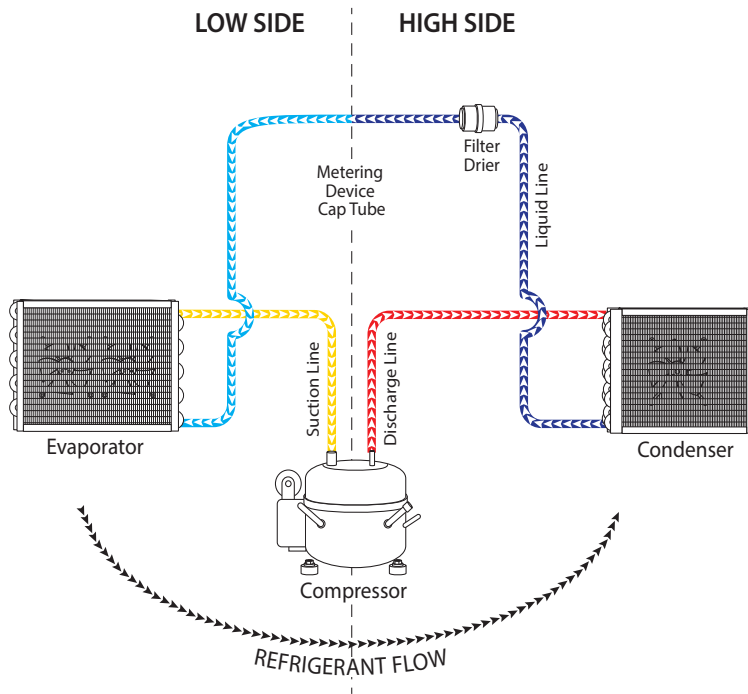
(1) 516816 SHOWN



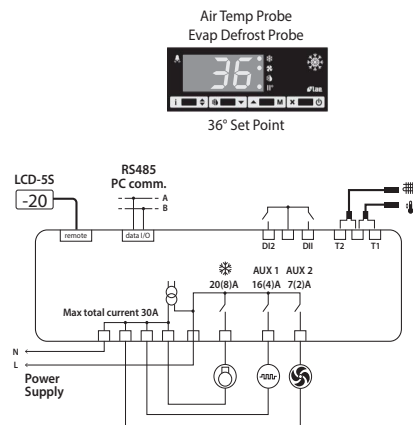
R290 REFRIGERATION UNIT

RUF 48, R290 REFRIGERATION SYSTEM

-  High Pressure Gas
-  High Pressure Liquid
-  Low Pressure Liquid
-  Low Pressure Gas



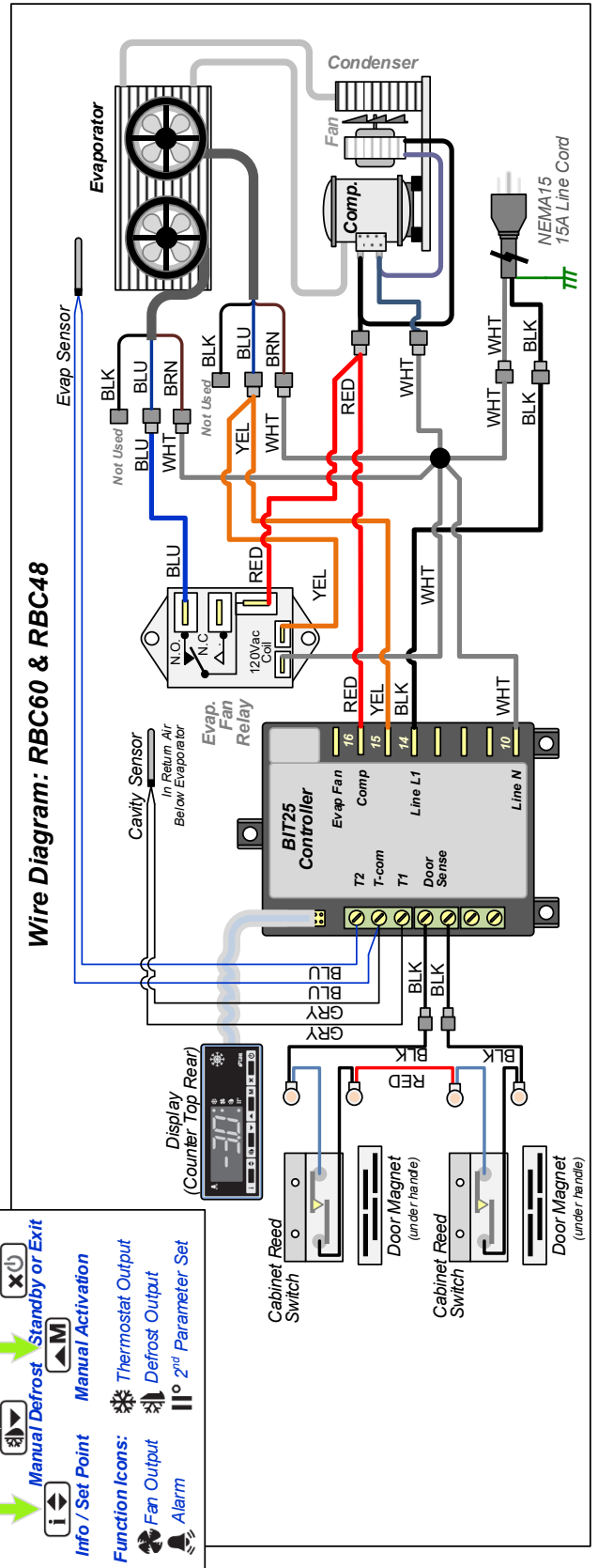
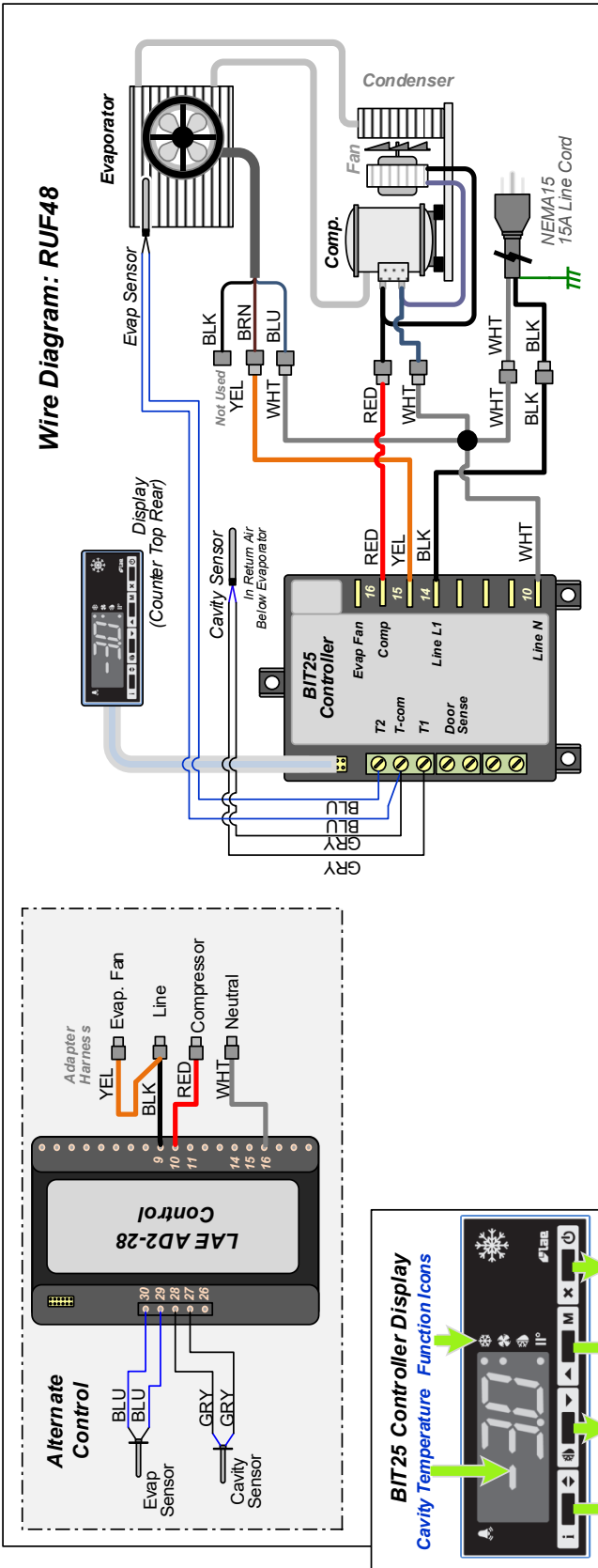
RUF (R290 Refrigerant)	
Voltage	208-230v 60hz 220/240 50hz
Charge	90 grams
LRA	17.5
RLA	1.8
Cap Tube	10' .050
Super Heat	4-10°
Sub Cooling	10-15°
High Pressure Range @75°	130-150 psig
Low Pressure Range @75°	15-30 psig
Evap Fan	0.2
Condenser Fan	0.18



SIS-BC-RF-0026

12/17/2019

Wire Diagram - RBC & RUF Models ELC0009 Rev. E 08/7/17



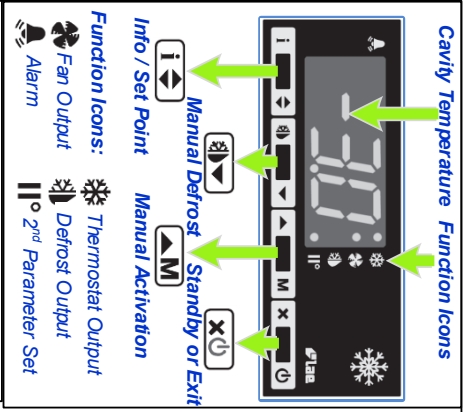
BIT25 Controller Display

Cavity Temperature Function Icons

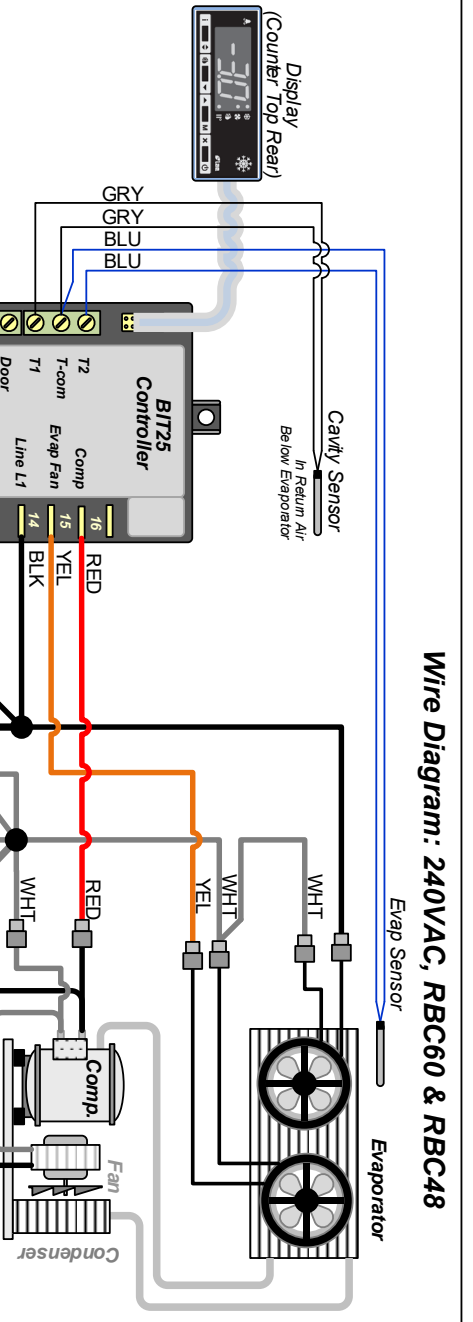
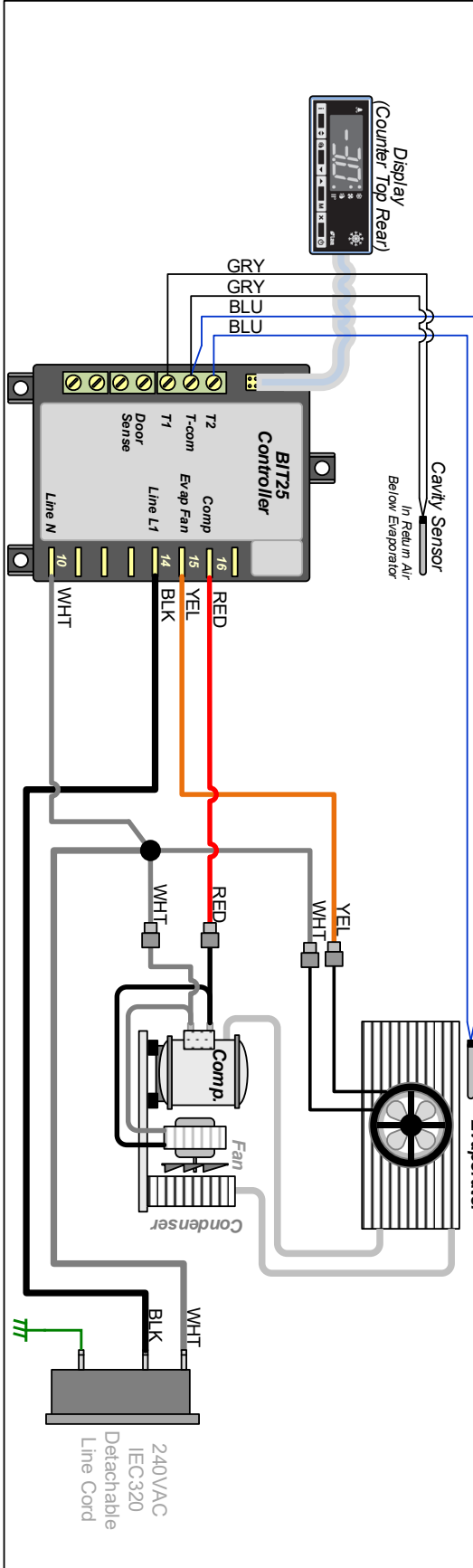
- Manual Defrost
- Standby or Exit
- Manual Activation
- Info / Set Point

Function Icons:

- Fan Output
- Alarm
- Thermostat Output
- Defrost Output
- 11° 2nd Parameter Set



Wire Diagram: 240VAC, RUF48



Wire Diagram: 240VAC, RBC60 & RBC48

NOTES



Your Solutions Partner

Duke Manufacturing Co.

2305 N. Broadway • St. Louis, MO 63102

800-735-3853 • 314-231-1130

Fax: 314-231-5074

www.dukemfg.com