

Duke Modular Production Counter - 38" Dual Sided



Duke's Modular Production Center combines industry-leading holding and storage with advanced ergonomics in a compact footprint for the most optimal modular production system on the market. Its self-contained design allows for it to work within the smallest of spaces to improve speed, increase labor efficiency, reduce waste, and ensure food temperatures in hot kitchen environments.

Innovative, Production-Optimized Features:

- The patented Tri-Channel® design provides even cooling across the entire depth of the unit.
- Duke's Kool High Ambient refrigerated technology solves the general refrigerated problems in hot kitchens by holding temps steady in environments exceeding NSF7 Ambient Kitchen Temperature Requirements.
- The fully-extendable Under Counter Drawers, with industry-leading capacity, provide location for overnight storage (24- $\frac{1}{2}$ pans).

Compact, Ergonomic Design, Vertical Options

- Convenient over shelf provides space for equipment, additional packaging and small wares.
- Bi-fold lid conveniently tucks away, out of the workspace.
- It's versatile and can be adapted to multiple menu platforms: salads, pizza, sandwiches, smoothies, wraps and drive-thru stations.



FlowMetrixSM

ReEngineering Kitchen Workflow

Duke's proprietary **FlowMetrixSM** process helps you identify and unblock your workflow bottlenecks by mapping the current state of your kitchen through video, time and motion studies, counting steps and touches, and menu and workflow diagrams.

Using FlowMetrixSM to reconfigure your workstations will increase your throughput, speed of service, food quality and consistency. And you know what this leads to: **increased profits and customer satisfaction!**



DUKE CORPORATE
UNITED STATES, CANADA
2305 N. Broadway
St. Louis, MO 63102

Toll Free: 1.800.735.3853
Phone: 314.231.1130
Fax: 314.231.5074

dukemfg.com
© Duke Manufacturing Co. 2018

Duke Modular Production Counter - 38" Dual Sided



DPC38D
(shown with optional accessories)

DIMENSIONS:

Model	Height		Width		Depth	
	in.	cm	in.	cm	in.	cm
DPC38D	34 5/8	87.9	38 1/4	97.2	44 3/8	112.7

- A. Extra deep work surface carving board area and crumb guard
- B. pull-out crumb collection pans (Optional)
- C. Stay-in-place fold up cold pan covers (Optional)
- D. Removable bottle holders capacity (12) bottles total (optional)
- E. Overshelf (optional LED light)

BODY:

- 4" Locking Casters
- Lower wrap shelf for product packaging and dry storage (Located on both sides)
- Extra deep work surface carving board area with crumb guard
- Stainless steel overshelf

UNDERCOUNTER REFRIGERATION:

- (2) Fully extendable refrigerated drawers allow easy pan access. Capacity = (12) 1/2 x 6" Deep Pans Each. (Accommodates Full, 1/2, 1/3 and 1/4 pans)
- Digital thermostat

COLD PAN:

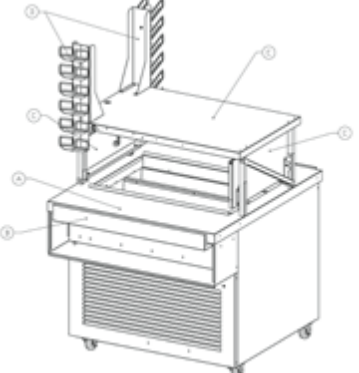
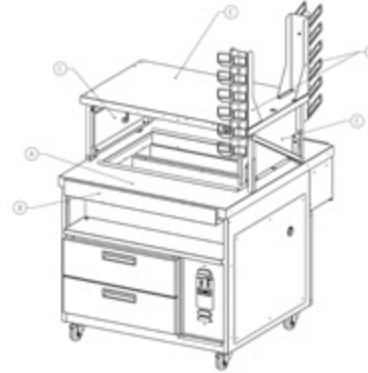
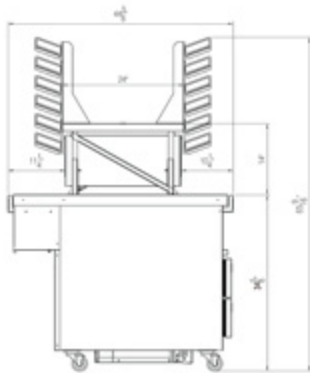
- Counter top cold pan capacity (15) 1/2 x 6" deep pans

ACCESSORIES (OPTIONAL):

- Removable bottle holder capacity (12) bottles total
- Pull-out crumb collection pan

ELECTRICAL SPECIFICATIONS:

	Volts	Amps	NEMA	Power Cord Info
DPC38D	115	10.4	5-15	6"-Centered on Back of Unit, Approx 15" off Floor



Specification subject to change

DUKE CORPORATE UNITED STATES, CANADA

2305 N. Broadway
St. Louis, MO 63102
Toll Free: 800 735 3853
Phone: 314 231 1130
Fax: 314 231 5074
www.dukemfg.com

EUROPE, MIDDLE EAST, AFRICA, RUSSIA

Duke Manufacturing C.R. s.r.o.
Prologis Park D1 West, Building 4
Zdebradska 92
Ricany-Jazlovce 251-101
Czech Republic
Phone: (+420) 323 608 193
Fax: (+420) 323 608 144

ASIA

No. 3 Building,
Lane 28, Yu Lv Road,
Malu Town, Jiading District
Shanghai 201801, China
Phone: +86.21.59153525/59153526
Fax: +86.21.33600628

AGENCY LISTINGS:



DUKE CORPORATE UNITED STATES, CANADA

2305 N. Broadway
St. Louis, MO 63102

Toll Free: 1.800.735.3853
Phone: 314.231.1130
Fax: 314.231.5074

dukemfg.com

© Duke Manufacturing Co. 2018
Duke_Production Counter_DPC38_Dual
SalesSheet_5.7.2018