



Your Solutions Partner

Specifications

F.O.B Sedalia, Missouri 65301



560-xx

OPTIONS:

- Fluorescent light
- Radiant heat rod w/incandescent light - 120V
- Radiant heat rod w/switch
- Special lengths or heights
- Special finish colors

Agency Listings:



DUKE MANUFACTURING CO.
 2305 N. Broadway
 St. Louis, MO 63102

800.735.3853 Toll Free
314.231.5074 Fax
www.dukemfg.com

Approval Stamp(s):

PRODUCT INFORMATION:

PROJECT: _____

ITEM: _____

QUANTITY: _____

MODEL: Foodshield - Designer Series - Full Service

Fits: Thurmaduke Steamtable, Aeroserv, Thurmaduke Serving Systems

- TS560-32**
- TS560-46**
- TS560-60** Full Service Style - Stainless Steel Top
- TS560-74**
- TS560-88**

TOP SHELF:

- All edges flanged down
- Clear acrylic extension on length of back of shelf top
- 18 gauge stainless steel or paint grip steel
- Choice of (12) powder coat paint colors (must choose one):

| | |
|--|--|
| <input type="checkbox"/> #217105 - Bright White | <input type="checkbox"/> #217103 - Natural Almond |
| <input type="checkbox"/> #217150 - Orange | <input type="checkbox"/> #217154 - Racing Red |
| <input type="checkbox"/> #217107 - Hollyberry Red | <input type="checkbox"/> #217120 - Sky Blue |
| <input type="checkbox"/> #217127 - Fence Green | <input type="checkbox"/> #217152 - Stone Gray |
| <input type="checkbox"/> #217102 - Silver Hammer | <input type="checkbox"/> #217113 - Brown Kickplate |
| <input type="checkbox"/> 217101 - Semi-Gloss Black | <input type="checkbox"/> 217125 - Textured Black |

ENDS:

- 18 gauge stainless steel or choice of 12 powder coat colors

GUARDS:

- Adjustable 1/4" tempered glass food shield
- Stainless steel edge trim
- Clear acrylic enclosure both ends

SIZES:

- All units available in following lengths
 31-3/4", 45-3/4", 59-3/4", 73-3/4", 87-3/4"

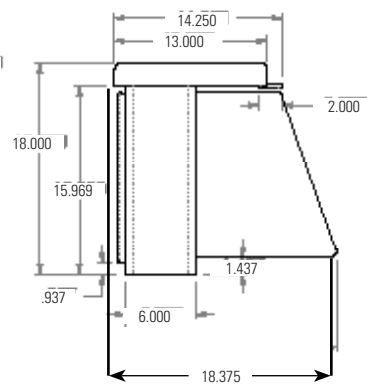
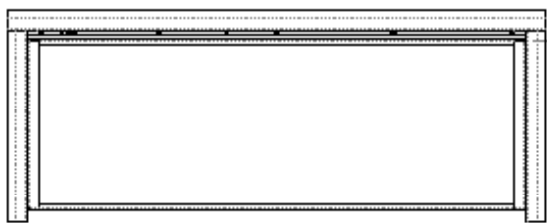
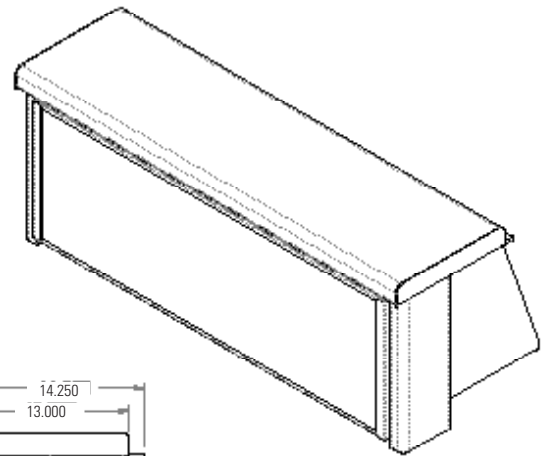
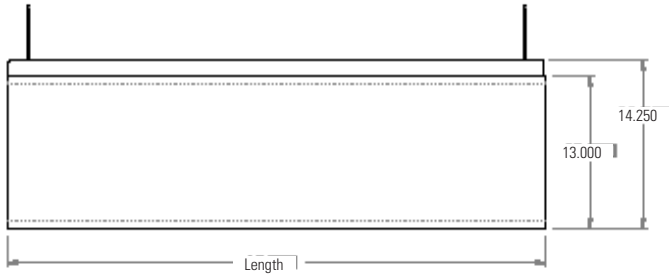
SHORT FORM SPECIFICATIONS:

Foodshield - TS560-xx - Service Style with front glass, stainless steel or painted top and end panels. 13" wide shelf, swing front glass.

NSF Updates: (1) Made end guard deeper (2) Added an extension to the length of the back of the shelf top.

FOODSHIELD - DESIGNER SERIES

- TS560-32**
- TS560-46**
- TS560-60** Full Service Style - Stainless Steel Top
- TS560-74**
- TS560-88**



DIMENSIONS:

Full Service - w/adjustable front glass, stainless steel top or painted, painted or stainless end panels

Freight Class: 125

| Model | Length | | Height | | Width | | Weight | | Cube ft. Crated |
|-----------------|--------|-------|--------|------|--------|------|--------|------|--------------------|
| | in | cm | in | cm | in | cm | lbs | kg | |
| TS560-32 | 32 | 81.3 | 18 | 45.7 | 18.375 | 46.7 | 54 | 24.6 | 8.3 |
| TS560-46 | 46 | 116.8 | 18 | 45.7 | 18.375 | 46.7 | 62 | 28.2 | 11.4 |
| TS560-60 | 60 | 152.4 | 18 | 45.7 | 18.375 | 46.7 | 82 | 37.3 | 14.5 |
| TS560-74 | 74 | 188.0 | 18 | 45.7 | 18.375 | 46.7 | 112 | 50.9 | 17.5 |
| TS560-88 | 88 | 223.5 | 18 | 45.7 | 18.375 | 46.7 | 137 | 62.3 | 20.6 |



DUKE MANUFACTURING CO.

2305 N. Broadway
St. Louis, MO 63102

800.735.3853 Toll Free
314.231.1130 In Missouri
314.231.5074 Fax
www.dukemfg.com

Specification subject to change