



**READYFLEX™**  
HOT HOLDING CABINET  
**Specifications**

Your Solutions Partner

F.O.B. Sedalia, Missouri 65301



**Model RFHU-23-4 4" Deep  
Multipan Configuration Shown**

**OPTIONS:**

- Front and Back 4.3" Touchscreen
- Front 4.3" Touchscreen w/ Front Timer Bars
- Front 4.3" Touchscreen w/ Front and Back Timer Bars
- Dedicated Lid Options for High Volume Proteins

**Electrical**

- 120V - 60Hz
- 208/240V - 60Hz
- 220/240V - 50/60Hz

**Agency Listings:**



DUKE MANUFACTURING CO.  
2305 N. Broadway  
St. Louis, MO 63102  
800.735.3853 Toll Free  
314.231.5074 Fax  
www.dukemfg.com

SS-1202 ReadyFlex™ Holding Unit 4 inch deep

**WARNING** For CA residents: go to [www.dukemfg.com/prop65](http://www.dukemfg.com/prop65) for prop 65 warning

Specification subject to change

**Approval Stamp(s):**

**PRODUCT INFORMATION:**

PROJECT: \_\_\_\_\_

ITEM: \_\_\_\_\_

QUANTITY: \_\_\_\_\_

**MODEL:**

**ReadyFlex™ Holding Unit - 4.0" Deep**

- RFHU-22-4 2X2 Configuration
- RFHU-23-4 2X3 Configuration
- RFHU-24-4 2X4 Configuration
- RFHU-32-4 3X2 Configuration
- RFHU-42-4 4X2 Configuration

**BODY:**

- Stainless Steel Exterior construction for durability and ease of cleaning.
- Robust stainless steel pan cover.
- Multipan configuration flexibility for 1/3, 1/2 and Full Size Pans\*

\* Full Size Pans limited to 3 wide or larger units.

**HEATER CONFIGURATIONS:**

- Independent Top and Bottom Zoned Heat for maximum recipe flexibility.
- Easy configured for shelf heat, if desired.
- Quick heat up approximately 20 minutes.

**CONTROLS:**

- Full Color 4.3" Touchscreen Control
  - Easy to Use, Easy to Learn
  - Timer Bar functionality without timer bars.
- Start and Stop Timers
- Displays product being held, countdown timer, cook more alerts, and FIFO for each pan.
- Simplified, Intuitive Local Programming, Recipe Storage, & Menu Switch
- Multipan configuration
- Network Support

**Built In Connectivity**

- Wi-Fi (Dual Band 802.11 A/B/G/N 2.4Ghz/5Ghz)
- Ethernet (10/100Mbps)

**USB Support**

- Firmware Update
- Recipe Import/Export

**Duke Connected Equipment Platform (DCEP) Support**

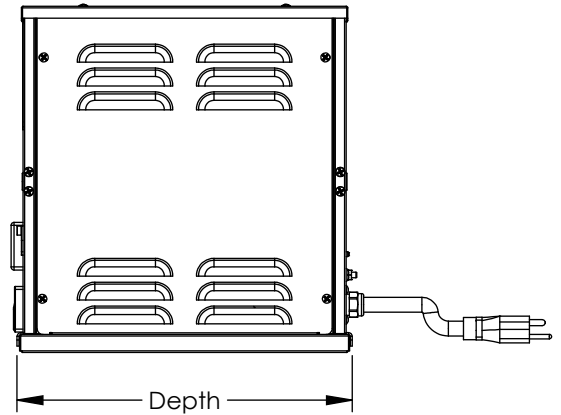
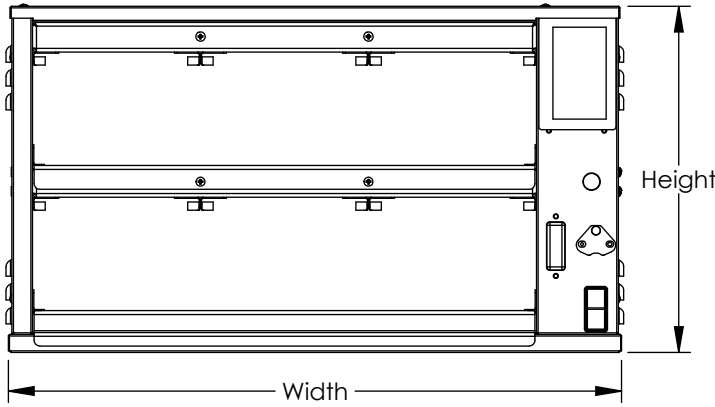
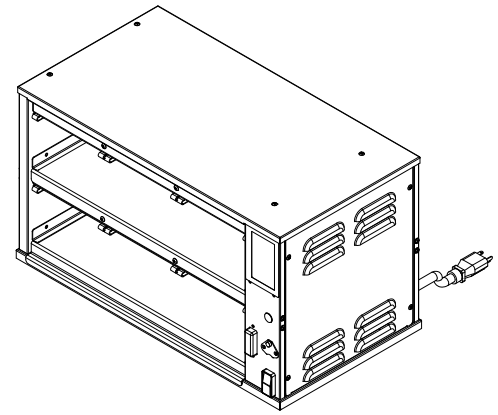
- Asset Management
- Firmware Update
- Recipe Management
- Diagnostics

ReadyFlex™ Holding Unit - 4.0 Inch Deep

Catalog No. Food Warmer

A.I.A. File No. 35-C-13

# ReadyFlex™ Holding Unit - 4.0" Deep



### ELECTRICAL SPECIFICATION/CORD RATING (TOP AND BOTTOM HEAT)

Model	120V - 60Hz		208/240 V - 60Hz		220/240V - 50/60Hz	
	Amps	NEMA	Amps	NEMA	Amps	Schuko
RFHU-22-4	10	5-15P	5.8/6.7	6-15P	6.7	CEE7 VII
RFHU-23-4	12.5	5-20P	8.7/10	6-15P	10.0	CEE7 VII
RFHU-24-4	15	5-20P	8.7/10	6-15P	10.0	CEE7 VII
RFHU-32-4	12.5	5-20P	8.7/10	6-15P	10.0	CEE7 VII
RFHU-42-4	15	5-20P	8.7/10	6-15P	10.0	CEE7 VII

### DIMENSIONS:

Model	4.0" Deep Pan Config					
	Height		Width		Depth (body only)	
	in.	cm	in.	cm	in.	cm
RFHU-22-4	14.5	36.8	19.0	48.3	14.1	35.7
RFHU-23-4	14.5	36.8	26.0	66.0	14.1	35.7
RFHU-24-4	14.5	36.8	33.0	83.8	14.1	35.7
RFHU-32-4	20.6	52.3	19.0	48.3	14.1	35.7
RFHU-42-4	26.8	68.1	19.0	48.3	14.1	35.7

This product may be covered by one or more patents or pending patent applications. For more details, see [www.dukemfg.com/patents](http://www.dukemfg.com/patents)



**Duke Manufacturing Co.**  
2305 N. Broadway  
St. Louis, MO 63102

Phone: 314-231-1130  
Toll Free: 1-800-735-3853  
Fax: 314-231-5074

[www.dukemfg.com](http://www.dukemfg.com)