



# READYFLEX™ HOT HOLDING CABINET

## Specifications

F.O.B. Sedalia, Missouri 65301



### Model – RFHU-23 2.5" Deep

#### OPTIONS:

- Front and Back 4.3" Touchscreen
- Front 4.3" Touchscreen w/ Front Timer Bars
- Front 4.3" Touchscreen w/ Front and Back Timer Bars
- Dedicated Lid Options for High Volume Proteins

#### Electrical

- 120V - 60Hz
- 208/240V - 60Hz
- 220/240V - 50/60Hz

#### Agency Listings:



DUKE MANUFACTURING CO.

2305 N. Broadway

St. Louis, MO 63102

800.735.3853 Toll Free

314.231.5074 Fax

www.dukemfg.com

791 - SS-1201 ReadyFlex Holding Unit 2 inch deep

### Approval Stamp(s):

#### PRODUCT INFORMATION:

PROJECT: \_\_\_\_\_

ITEM: \_\_\_\_\_

QUANTITY: \_\_\_\_\_

#### MODEL:

#### ReadyFlex™ Holding Unit - 2.5" Deep

- RFHU-22      2X2 Configuration
- RFHU-23      2X3 Configuration
- RFHU-24      2X4 Configuration
- RFHU-32      3X2 Configuration
- RFHU-42      4X2 Configuration

#### BODY:

- Stainless Steel Exterior construction for durability and ease of cleaning.
  - Robust stainless steel pan cover.
  - Multipan configuration flexibility for 1/3, 1/2 and Full Size Pans\*
- \* Full Size Pans limited to 3 wide or larger units.

#### HEATER CONFIGURATIONS:

- Independent Top and Bottom Zoned Heat for maximum recipe flexibility.
- Easy configured for shelf heat, if desired.
- Quick heat up approximately 20 minutes.

#### CONTROLS:

- Full Color 4.3" Touchscreen Control
  - Easy to Use, Easy to Learn
  - Timer Bar functionality without timer bars.
- Start and Stop Timers
- Displays product being held, countdown timer, cook more alerts, and FIFO for each pan.
- Simplified, Intuitive Local Programming, Recipe Storage, & Menu Switch
- Multipan configuration
- Network Support

#### Built In Connectivity

- Wi-Fi (Dual Band 802.11 A/B/G/N 2.4Ghz/5Ghz)
- Ethernet (10/100Mbps)

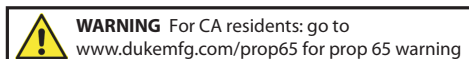
#### USB Support

- Firmware Update
- Recipe Import/Export

#### Duke Connected Equipment Platform (DCEP) Support

- Asset Management
- Firmware Update
- Recipe Management
- Diagnostics

Specification subject to change

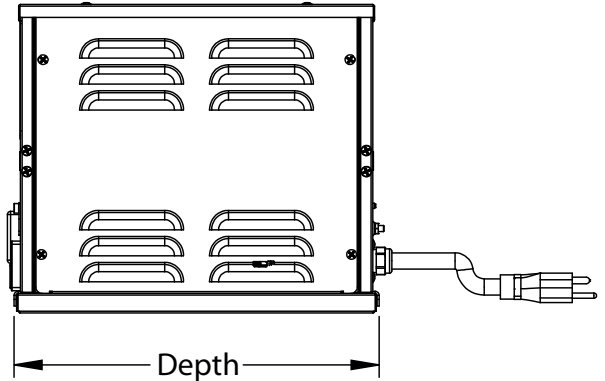
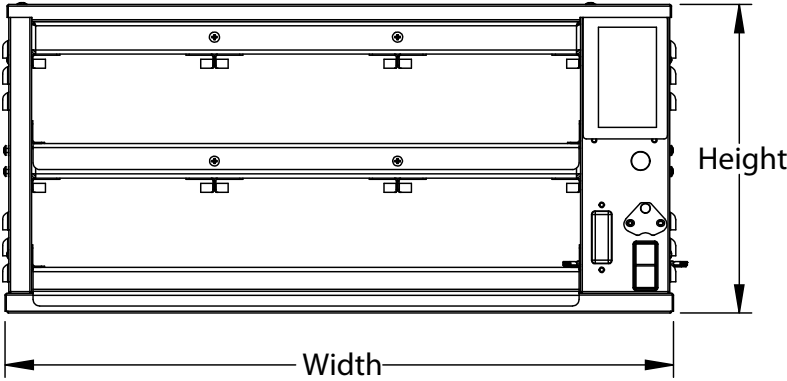
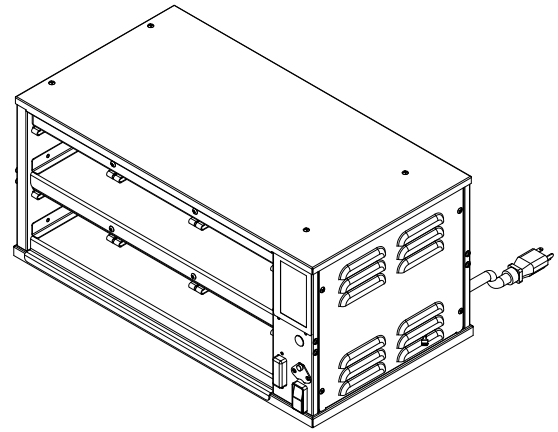


ReadyFlex™ Holding Unit - 2.5" Deep

Catalog No. Food Warmer

A.I.A. File No. 35-C-13

# ReadyFlex™ Holding Unit - 2.5" Deep



## ELECTRICAL SPECIFICATION/CORD RATING (TOP AND BOTTOM HEAT)

| Model   | 120V - 60Hz |       | 208/240 V - 60Hz |       | 220/240V - 50/60Hz |          |
|---------|-------------|-------|------------------|-------|--------------------|----------|
|         | Amps        | NEMA  | Amps             | NEMA  | Amps               | Schuko   |
| RFHU-22 | 10          | 5-15P | 5.8/6.7          | 6-15P | 6.7                | CEE7 VII |
| RFHU-23 | 12.5        | 5-20P | 8.7/10           | 6-15P | 10.0               | CEE7 VII |
| RFHU-24 | 15          | 5-20P | 8.7/10           | 6-15P | 10.0               | CEE7 VII |
| RFHU-32 | 12.5        | 5-20P | 8.7/10           | 6-15P | 10.0               | CEE7 VII |
| RFHU-42 | 15          | 5-20P | 8.7/10           | 6-15P | 10.0               | CEE7 VII |

## DIMENSIONS

| Model   | 2.5" Deep Pan Config |      |       |      |                   |      |
|---------|----------------------|------|-------|------|-------------------|------|
|         | Height               |      | Width |      | Depth (body only) |      |
|         | in.                  | cm   | in.   | cm   | in.               | cm   |
| RFHU-22 | 11.8                 | 30.0 | 19.0  | 48.3 | 14.1              | 35.7 |
| RFHU-23 | 11.8                 | 30.0 | 26.0  | 66.0 | 14.1              | 35.7 |
| RFHU-24 | 11.8                 | 30.0 | 33.0  | 83.8 | 14.1              | 35.7 |
| RFHU-32 | 16.6                 | 42.2 | 19.0  | 48.3 | 14.1              | 35.7 |
| RFHU-42 | 21.5                 | 54.6 | 19.0  | 48.3 | 14.1              | 35.7 |

This product may be covered by one or more patents or pending patent applications. For more details, see [www.dukemfg.com/patents](http://www.dukemfg.com/patents)



**Duke Manufacturing Co.**  
2305 N. Broadway  
St. Louis, MO 63102

Phone: 314-231-1130  
Toll Free: 1-800-735-3853  
Fax: 314-231-5074

[www.dukemfg.com](http://www.dukemfg.com)