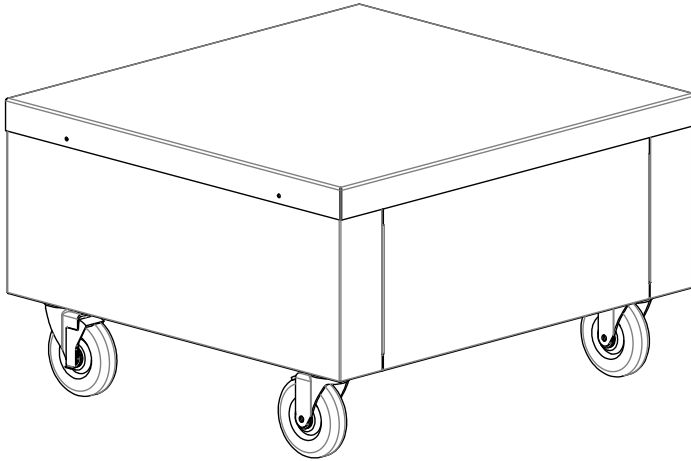




Your Solutions Partner

Specifications

F.O.B. Sedalia, Missouri 65301



Speed Oven Stand

Approval Stamp(s):

Stand - Speed Oven

PRODUCT INFORMATION:

PROJECT: _____

ITEM: _____

QUANTITY: _____

MODEL:

SPEED OVEN STAND

- RS049246 Speed Oven Stand

Product Features:

- Heavy gauge stainless steel top with welded construction
- Includes heavy duty casters
- Allows speed ovens to be stacked

Catalog No. Stand

Agency Listings:



DUKE MANUFACTURING CO.

2305 N. Broadway

St. Louis, MO 63102

800.735.3853 Toll Free

314.231.5074 Fax

www.dukemfg.com

SS-1224 Speed Oven Stand

Specification subject to change

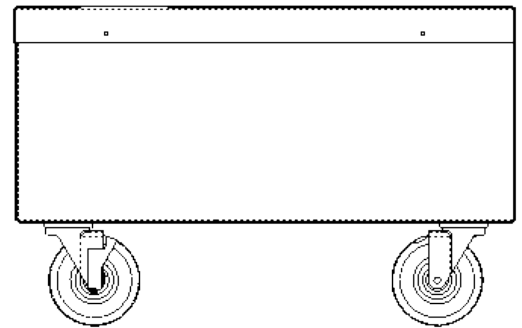
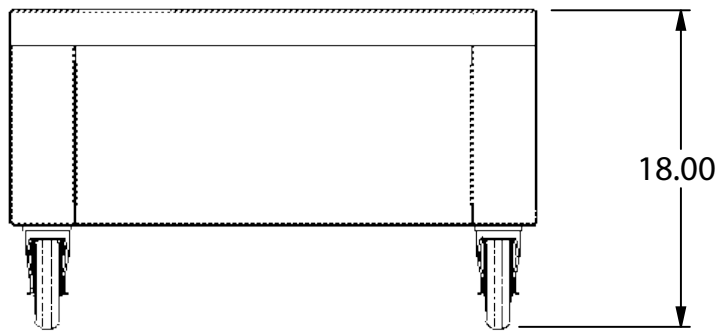
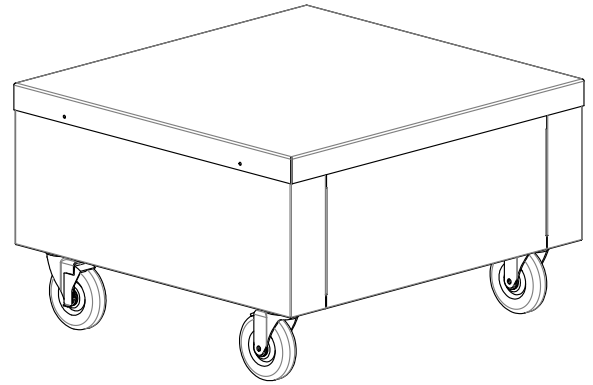
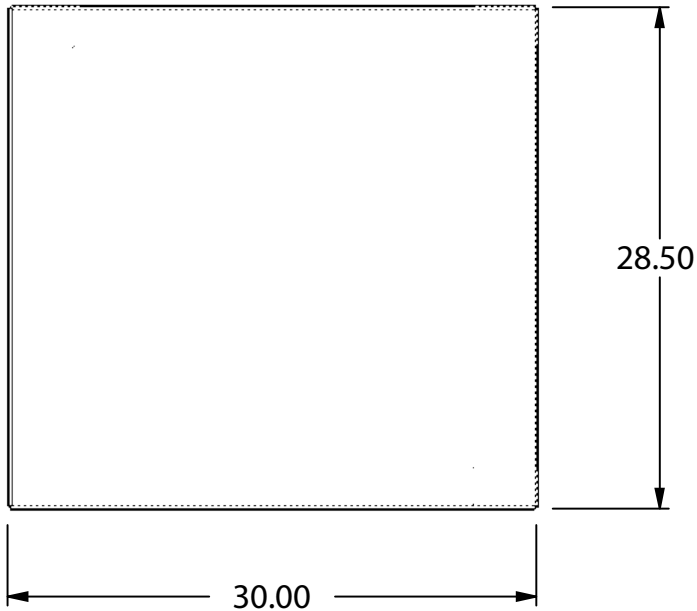


A.I.A. File No. 35-C-13

Speed Oven Stand

A.I.A. File No. 35-C-13

Catalog No. Stand



DIMENSIONS:

Freight Class: 100

Model	Height		Width		Depth		Crated Ship Weight	
	in.	cm	in.	cm	in.	cm	lbs.	kg
RS049246	18.00	45.72	30.00	76.20	28.5	72.39	123	55.79

Stand - Speed Oven



Duke Manufacturing Co.
2305 N. Broadway
St. Louis, MO 63102

Phone: 314-231-1130
Toll Free: 1-800-735-3853
Fax: 314-231-5074

www.dukemfg.com

Printed in U.S.A
© 2021, Duke Manufacturing Co.