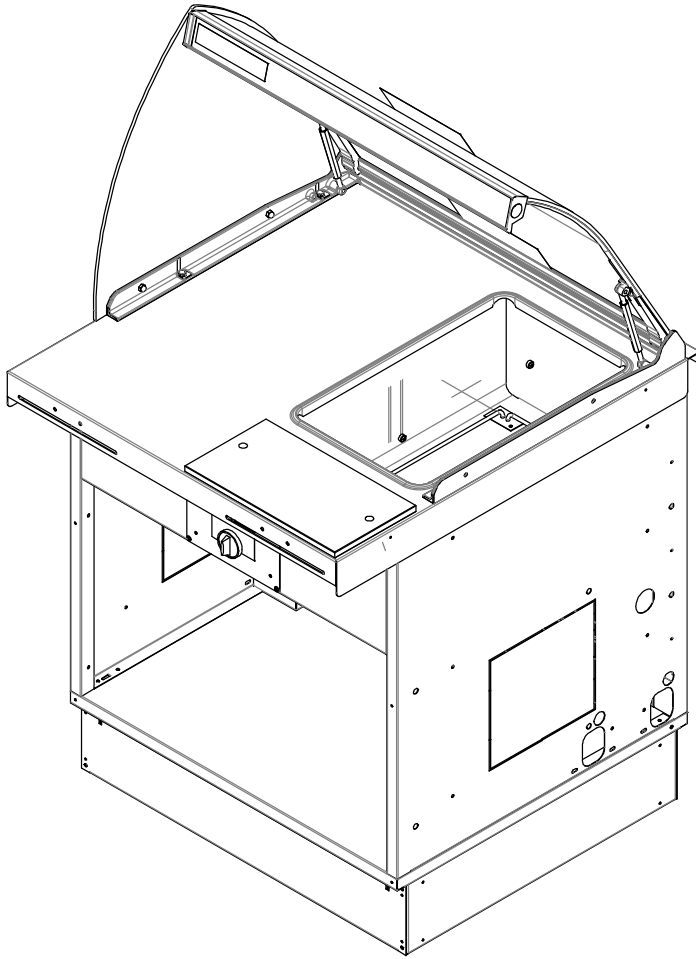




Your Solutions Partner

Specifications

F.O.B. Sedalia, Missouri 65301



31" With Day Cover - Left

Approval Stamp(s):

PRODUCT INFORMATION:

PROJECT: _____

ITEM: _____

QUANTITY: _____

MODEL:

**HOT SOUP/COOKIE COUNTER
CLEARVIEW WITH DAY COVER**

Part #	Description
<input type="checkbox"/> 2501068	31" Soup/Cookie Counter Left 34"H
<input type="checkbox"/> 2501069	31" Soup/Cookie Counter Right 34"H
<input type="checkbox"/> 2501070	31" Soup/Cookie Counter Left 36"H
<input type="checkbox"/> 2501071	31" Soup/Cookie Counter Right 36"H

Product Features:

- Factory Installed Day Cover
- LED lighting included on daycover
- Top opening stainless steel hot well w/adapter for soup
- Holds Soup Kettles at temperature range of 100F - 160F
- Body will accept decor panels on front
- Adjustable legs
- Kickplates

Agency Listings:



DUKE MANUFACTURING CO.

2305 N. Broadway

St. Louis, MO 63102

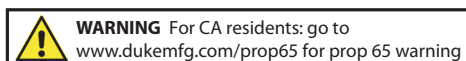
800.735.3853 Toll Free

314.231.5074 Fax

www.dukemfg.com

SS-1223 Hot Soup Front Counter

Specification subject to change



Hot Soup Front Counter

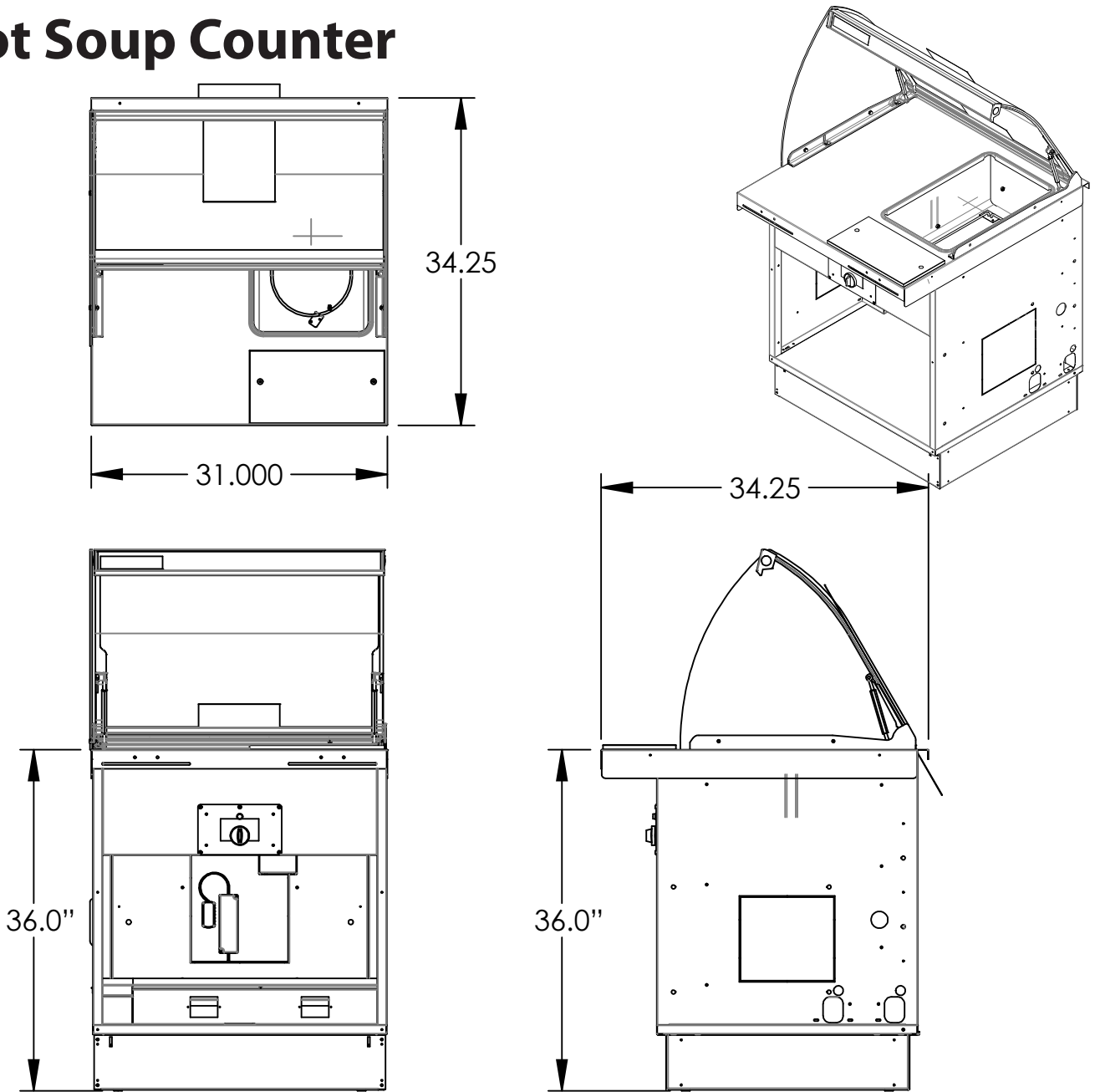
Soup Counter

A.I.A. File No. 35-C-13

Hot Soup Counter

A.I.A. File No. 35-C-13

Soup Counter



2501071 Shown Above

ELECTRICAL SPECIFICATION:

DIMENSIONS:

FREIGHT CLASS: 100

Part No	Voltage	Width		Height		Depth		Location	Weight	
		in.	cm	in.	cm	in.	cm		Lbs.	kg
2501068	120	31.00	78.74	34.00	86.36	34.25	87.00	Left	423	191.87
2501069	120	31.00	78.74	34.00	86.36	34.25	87.00	Right	423	191.87
2501070	120	31.00	78.74	36.00	91.44	34.25	87.00	Left	423	191.87
2501071	120	31.00	78.74	36.00	91.44	34.25	87.00	Right	423	191.87

Hot Soup Front Counter



Duke Manufacturing Co.
2305 N. Broadway
St. Louis, MO 63102

Phone: 314-231-1130
Toll Free: 1-800-735-3853
Fax: 314-231-5074

www.dukemfg.com