



Your Solutions Partner

Specifications

F.O.B. Sedalia, Missouri 65301

Approval Stamp(s):

Beverage Counter

PRODUCT INFORMATION:

PROJECT: _____

ITEM: _____

QUANTITY: _____

MODEL:

Beverage Counter



2504594 48" Beverage Counter Left Cutout

Stainless Panels	Beigewood Panels	Description
<input type="checkbox"/> 2504581	<input type="checkbox"/> 2504323	24" Bev Ctr, No Cut Out
<input type="checkbox"/> 2504590	<input type="checkbox"/> 2504671	24" Bev Ctr, Center Cut Out
<input type="checkbox"/> 2504582	<input type="checkbox"/> 2504678	30" Bev Ctr, No Cut Out
<input type="checkbox"/> 2504591	<input type="checkbox"/> 2504672	30" Bev Ctr, Center Cut Out
<input type="checkbox"/> 2504583	<input type="checkbox"/> 2504679	36" Bev Ctr, No Cut Out
<input type="checkbox"/> 2504592	<input type="checkbox"/> 2504661	36" Bev. Ctr, Center Cut Out
<input type="checkbox"/> 2504584	<input type="checkbox"/> 2504680	48" Bev. Ctr, No Cut Out
<input type="checkbox"/> 2504593	<input type="checkbox"/> 2504663	48" Bev. Ctr, Right Cut Out
<input type="checkbox"/> 2504594	<input type="checkbox"/> 2504662	48" Bev. Ctr, Left Cut Out
<input type="checkbox"/> 2504585	<input type="checkbox"/> 2504681	60" Bev. Ctr, No Cut Out
<input type="checkbox"/> 2504595	<input type="checkbox"/> 2504665	60" Bev. Ctr, Right Cut Out
<input type="checkbox"/> 2504596	<input type="checkbox"/> 2504664	60" Bev. Ctr, Left Cut Out
<input type="checkbox"/> 2504586	<input type="checkbox"/> 2504682	72" Bev. Ctr, No Cut Out
<input type="checkbox"/> 2504588	<input type="checkbox"/> 2504676	72" Bev. Ctr, Right Cut Out
<input type="checkbox"/> 2504589	<input type="checkbox"/> 2504677	72" Bev. Ctr, Left Cut Out

Catalog No. : Beverage Counter

Product Features:

- Heavy gauge stainless steel top to accommodate counter top dispensing unit.
- Front and sides finished with removable panels
- Non-corrosive stainless steel top with 4" rear backsplash
- Utility access openings with protective grommets and covers
- Kickplates black baked enamel front, back and ends
- Adjustable legs; removable for installation

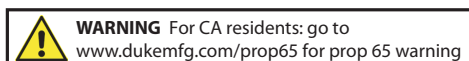
A.I.A. File No.

Agency Listings:



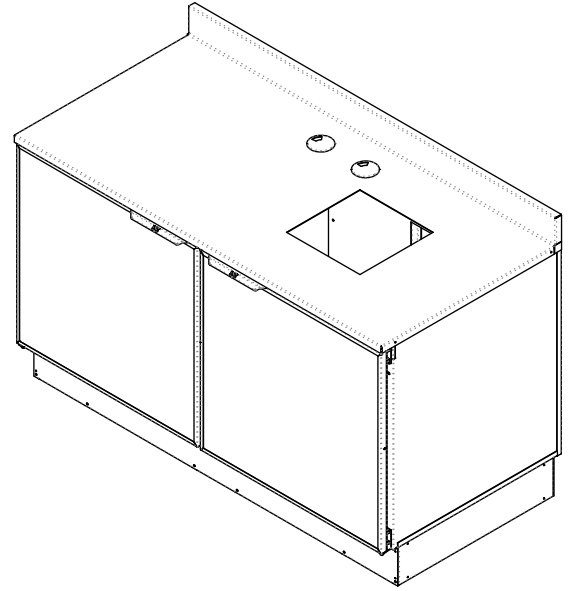
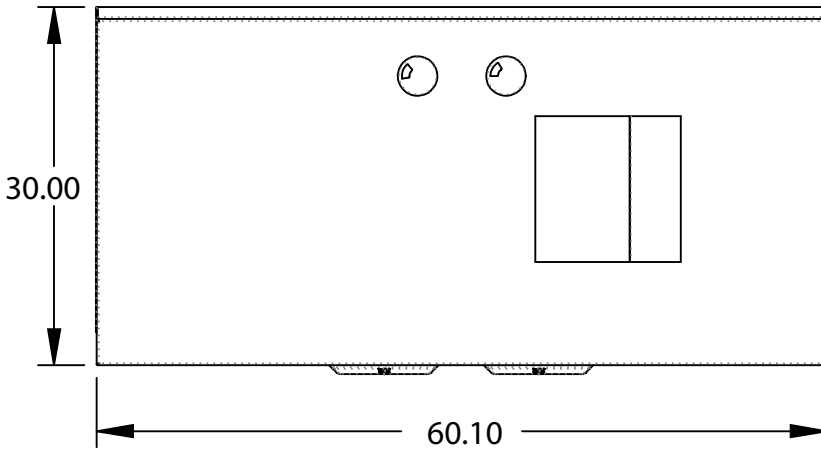
DUKE MANUFACTURING CO.
 2305 N. Broadway
 St. Louis, MO 63102
 800.735.3853 Toll Free
 314.231.5074 Fax
 www.dukemfg.com
 SS-1218 Beverage Center

Specification subject to change

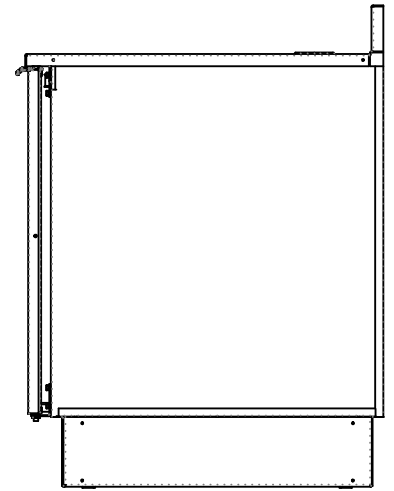
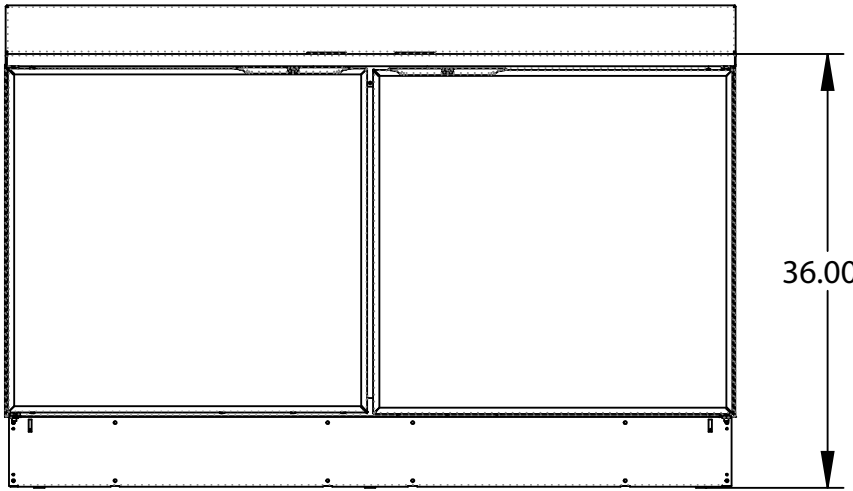


Beverage Counter

A.I.A. File No.



Catalog No. : Beverage Counter



DIMENSIONS: Height - 36.00" (91.44cm) `Depth - 30.00" (76.20cm)

Freight Class: 100

BaBeverage Counter

Stainless Panels	Beige-wood Panels	Width		Cut Out 12" Sq (30.5cm)	Weight		Stainless Panels	Beige-wood Panels	Width		Cut Out 12" Sq (30.5cm)	Weight	
		in.	cm		lbs	kg			in.	cm		lbs	kg
2504581	2504323	24	60.96	None	175	79.38	2504594	2504662	48	121.92	Left	270	122.47
2504590	2504671	24	60.96	Center	175	79.38	2504585	2504681	60	152.40	None	325	147.42
2504582	2504678	30	76.20	None	250	113.39	2504595	2504665	60	152.40	Right	325	147.42
2504591	2504672	30	76.20	Center	250	113.39	2504596	2504664	60	152.40	Left	325	147.42
2504583	2504679	36	91.44	None	250	113.39	2504586	2504682	72	182.88	None	391	177.35
2504592	2504661	36	91.44	Center	250	113.39	2504588	2504676	72	182.88	Right	391	177.35
2504584	2504680	48	121.92	None	270	122.47	2504589	2504677	72	182.88	Left	391	177.35
2504593	2504663	48	121.92	Right	270	122.47							



Duke Manufacturing Co.
2305 N. Broadway
St. Louis, MO 63102

Phone: 314-231-1130
Toll Free: 1-800-735-3853
Fax: 314-231-5074

www.dukemfg.com

Printed in U.S.A.
© 2021, Duke Manufacturing Co.