



Your Solutions Partner

Specifications

FOB Sedalia, Missouri 65301

Approval Stamp(s):

Back Counter - With Sink

PRODUCT INFORMATION:

PROJECT: _____

ITEM: _____

QUANTITY: _____

MODEL:

Back Counter with Sink

- 2501284 24" Back Counter - Sink Center
- 2501053 36" Back Counter - Sink Left
- 2501057 36" Back Counter - Sink Right
- 2501054 48" Back Counter - Sink Left
- 2501058 48" Back Counter - Sink Right
- 2501055 60" Back Counter - Sink Left
- 2501059 60" Back Counter - Sink Right
- 2501056 72" Back Counter - Sink Left
- 2501060 72" Back Counter - Sink Right

Product Features:

- Heavy gauge stainless steel top with welded construction.
- Front and sides removable stainless steel panels.
- Non-corrosive stainless steel top with 4" rear backslash.
- Utility access openings with protective grommets and covers.
- Includes stainless steel drop in sink with hands free faucet.
- Kickplates black baked enamel front, back and ends
- Adjustable legs; removable for installation

Catalog No. : Back Counter

A.I.A. File No.



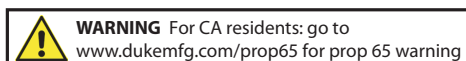
Model 2501054 48" Back Counter - Sink Left

Agency Listings:



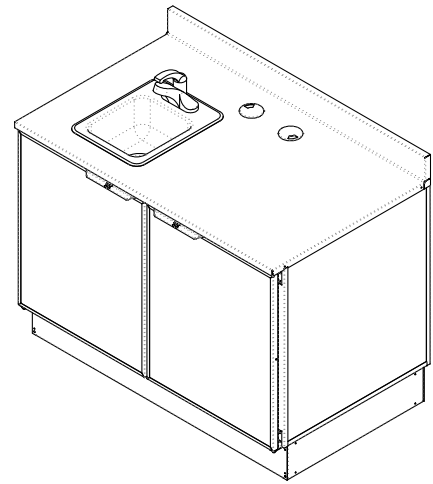
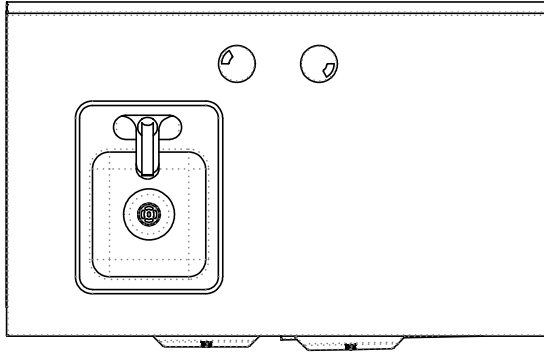
DUKE MANUFACTURING CO.
 2305 N. Broadway
 St. Louis, MO 63102
 800.735.3853 Toll Free
 314.231.5074 Fax
 www.dukemfg.com
 SS-1217 Back Counter - With Sink

Specification subject to change

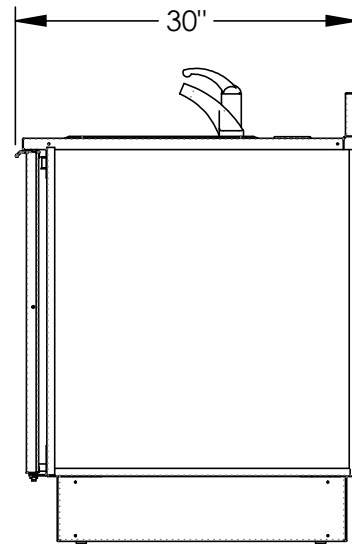
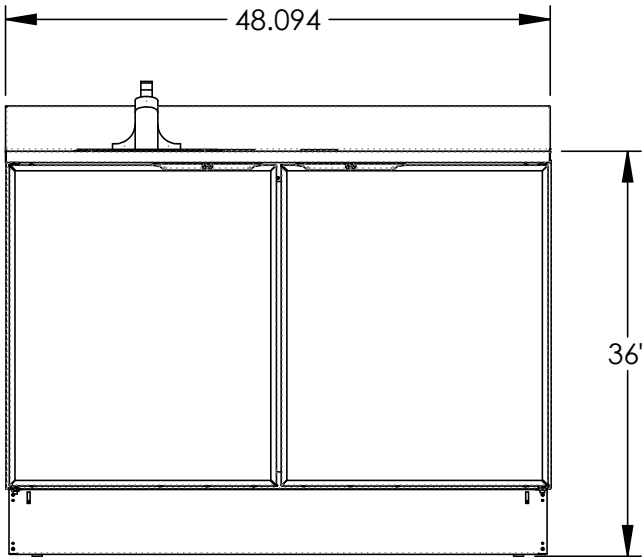


Back Counter With Sink

A.I.A. File No.



Catalog No. : Back Counter



DIMENSIONS:

Height - 36" (91.44cm) `Depth - 30" (76.20cm)

Freight Class: 100

Model	Sink Location	Width		Crated Ship Weight	
		in.	cm	lbs.	kg
2501284	Center	24	60.96	160	72.57
2501053	Left	36	91.44	215	97.52
2501057	Right	36	91.44	215	97.52
2501054	Left	48	121.92	270	122.47
2501058	Right	48	121.92	270	122.47
2501055	Left	60	152.40	325	147.42
2501059	Right	60	152.40	325	147.42
2501056	Left	72	182.88	380	172.37
2501060	Right	72	182.88	380	172.37

Back Counter - With Sink



Duke Manufacturing Co.
2305 N. Broadway
St. Louis, MO 63102

Phone: 314-231-1130
Toll Free: 1-800-735-3853
Fax: 314-231-5074

www.dukemfg.com