



Your Solutions Partner

Specifications

FOB Sedalia, Missouri 65301



7201-6030-Sub 60"L X 30"D Shown
With Adjustable Galvanized Shelf

OPTIONS:

- Deluxe drawers**
 - Stainless front, galvanized interior**
#176-30
 - Stainless front, stainless interior**
 - #177-24
 - #177-30

Agency Listings:



DUKE MANUFACTURING CO.
2305 N. Broadway
St. Louis, MO 63102
800.735.3853 Toll Free
314.231.5074 Fax
www.dukemfg.com

SS-1214 - Table - Adj - Galv Under Shelf

Approval Stamp(s):

PRODUCT INFORMATION:

PROJECT: _____

ITEM: _____

QUANTITY: _____

MODEL:

Work Tables With Adjustable Galvanized Bottom Shelf

Model Number 7201-PN-SUB

Part#	L X D	Part#	L X D
<input type="checkbox"/> 2424	24"L X 24"D	<input type="checkbox"/> 6030	60"L X 30"D
<input type="checkbox"/> 2430	24"L X 30"D	<input type="checkbox"/> 7224	72"L X 24"D
<input type="checkbox"/> 3024	30"L X 24"D	<input type="checkbox"/> 7230	72"L X 30"D
<input type="checkbox"/> 3030	30"L X 30"D	<input type="checkbox"/> 8424	84"L X 24"D
<input type="checkbox"/> 3624	36"L X 24"D	<input type="checkbox"/> 8430	84"L X 30"D
<input type="checkbox"/> 3630	36"L X 30"D	<input type="checkbox"/> 9624	96"L X 24"D
<input type="checkbox"/> 4824	48"L X 24"D	<input type="checkbox"/> 9630	96"L X 30"D
<input type="checkbox"/> 4830	48"L X 30"D	<input type="checkbox"/> 10830	108"L X 30"D
<input type="checkbox"/> 6024	60"L X 24"D	<input type="checkbox"/> 12030	120"L X 30"D

TOP:

- 14 gauge 300 Series stainless steel
- 1-1/8" turn - up on rear
- Bull nose front
- Underside reinforced with 14 gauge galvanized hat channels running full length top

ADJUSTABLE UNDERSHELF:

- Heavy gauge galvanized steel
- Die-formed corners
- Set screws to lock in place

LEGS:

- 1-5/8" diameter, galvanized tubular leg
- Non-marking, non-corrosive, adjustable plastic bullet feet for galvanized legs
- Galvanized leg sockets welded to hat channels

Specification subject to change



Table - Adj - Galv Under Shelf

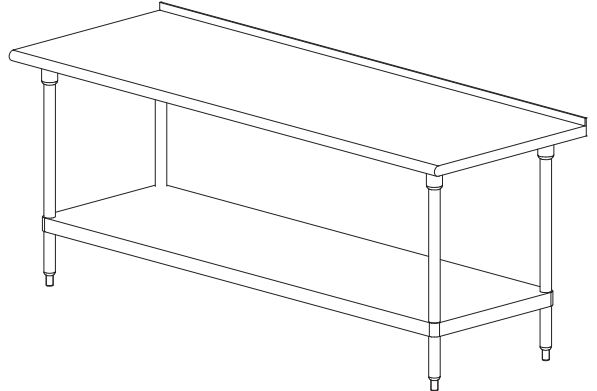
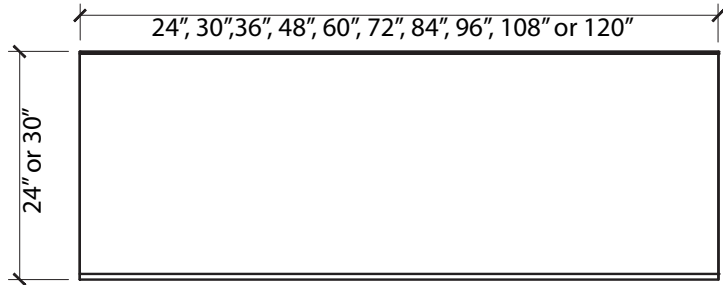
Catalog No. Table

A.I.A. File No. 35-C-13

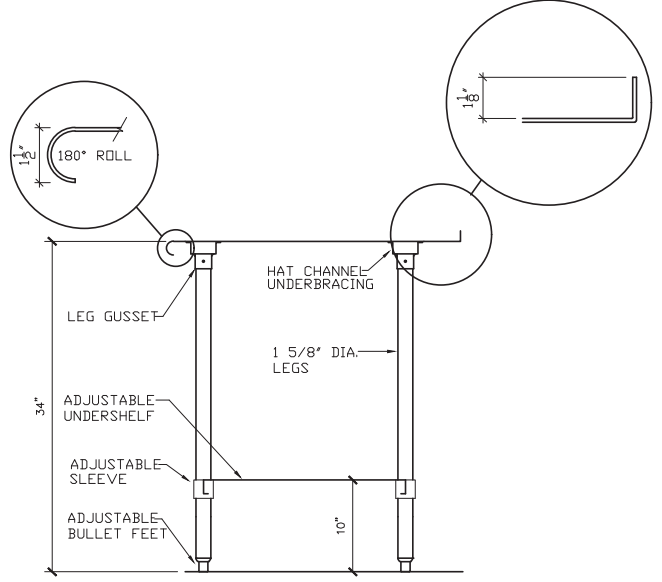
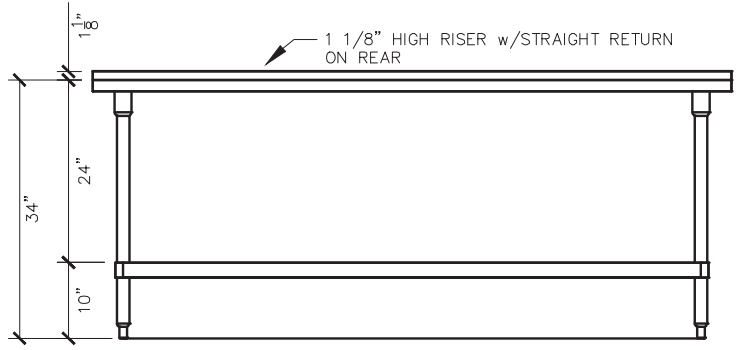
REV B 02/18/2021

A.I.A. File No. 35-C-13

Work Table - Adjustable Galvanized Shelf



Catalog No. Table



DIMENSIONS: **Height - 34" (86.36cm)** **Freight Class: 70**

Part #	Length		Depth		Shipping Weight		Part #	Length		Depth		Shipping Weight	
	in.	cm	in.	cm	lbs	kg		in.	cm	in.	cm	lbs	kg
☐ 2424	24	60.96	24	60.96	56	25.4	☐ 6030	60	152.40	30	76.20	110	49.9
☐ 2430	24	60.96	30	76.20	56	25.4	☐ 7224	72	182.88	24	60.96	70	31.8
☐ 3024	30	76.20	24	60.96	64	29.1	☐ 7230	72	182.88	30	76.20	90	40.8
☐ 3030	30	76.20	30	76.20	64	29.1	☐ 8424	84	213.36	24	60.96	135	61.2
☐ 3624	36	91.44	24	60.96	70	31.8	☐ 8430	84	213.36	30	76.20	175	79.4
☐ 3630	36	91.44	30	76.20	70	31.8	☐ 9624	96	243.84	24	60.96	70	31.8
☐ 4824	48	121.92	24	60.96	70	31.8	☐ 9630	96	243.84	30	76.20	175	79.4
☐ 4830	48	121.92	30	76.20	80	36.3	☐ 10830	108	274.32	30	76.20	180	81.6
☐ 6024	60	152.40	24	76.20	70	31.8	☐ 12030	120	304.80	30	76.20	195	88.5

Table - Adj - Galv Under Shelf



Duke Manufacturing Co.
 2305 N. Broadway
 St. Louis, MO 63102

Phone: 314-231-1130
 Toll Free: 1-800-735-3853
 Fax: 314-231-5074

www.dukemfg.com

Printed in U.S.A.
 © 2021, Duke Manufacturing Co.