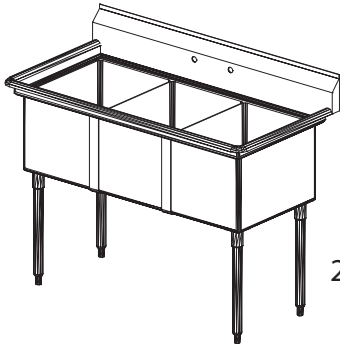




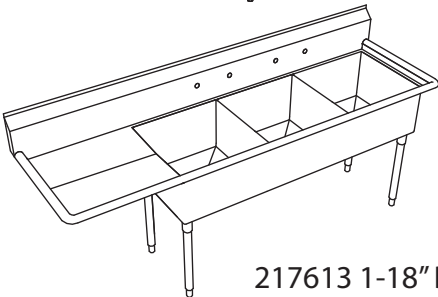
Your Solutions Partner

# Specifications

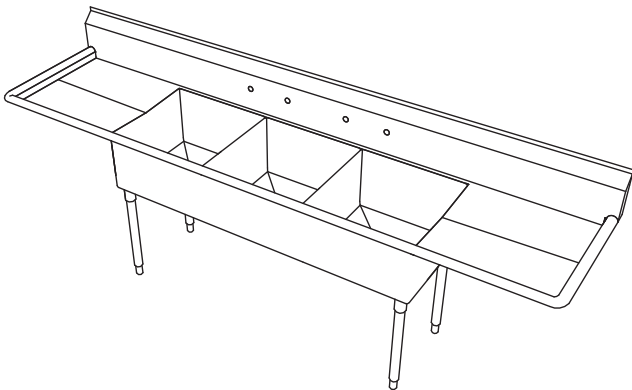
F.O.B. Sedalia, Missouri 65301



217645 No Drain Boards



217613 1-18" Drain Board Left



217608 - 2-18" Drain Boards

## Agency Listings:



DUKE MANUFACTURING CO.  
2305 N. Broadway  
St. Louis, MO 63102  
800.735.3853 Toll Free  
314.231.5074 Fax  
www.dukemfg.com

SS-1212 - Sink - Three Compartment - Sub

Approval Stamp(s):

## PRODUCT INFORMATION:

PROJECT: \_\_\_\_\_

ITEM: \_\_\_\_\_

QUANTITY: \_\_\_\_\_

## MODEL:

3 Compartment Sinks

- 217645 3 Compartment No Drain Boards
- 217608 3 Comp / 2-18" Drain Boards
- 217610 3 Comp / 2-24" Drain Boards
- 217612 3 Comp / 1-18" Drain Board - Right
- 217613 3 Comp / 1-18" Drain Board - Left
- 217611 3 Comp / 1-24" Drain Board - Right
- 217646 3 Comp / 1-24" Drain Board - Left

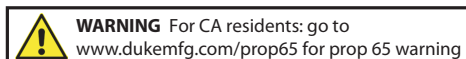
## BODY:

- Compartments are 21" x 16" x 14" deep
- Drainboards are welded integral with sink.
- Rolled edges and splash are continuous with edge and splash on sink, with all horizontal and vertical corners covered on 1/4" or larger radius.
- Standard drainboard length are 18" with 24" lengths
- Sink is mounted on 1-5/8" diameter galvanized tubing with 3-1/16" stainless steel gussets and adjustable bullet feet.
- 1" diameter holes punched for faucet (8" center)

## OPTIONS:

- Twist handle lever drain #214569
- Splash mounted faucet with 12" spout #215903
- Pre-rinse sprayer with 12" spout faucet #215902

Specification subject to change



**WARNING** For CA residents: go to [www.dukemfg.com/prop65](http://www.dukemfg.com/prop65) for prop 65 warning

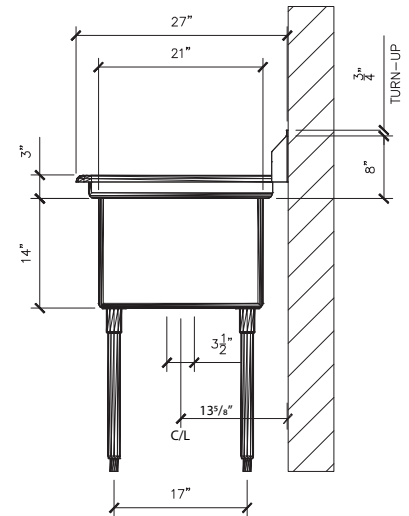
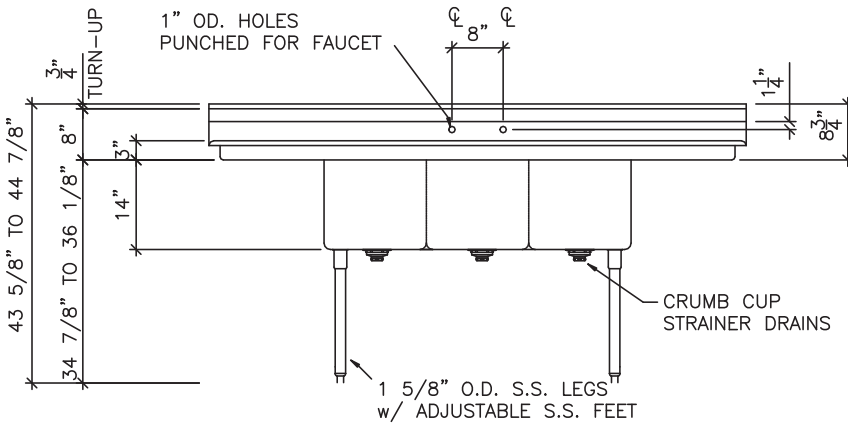
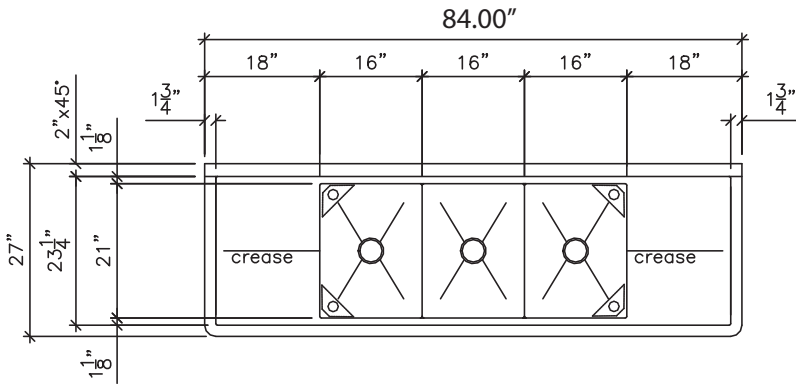
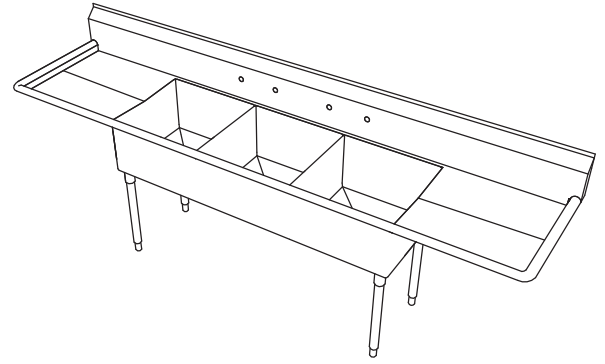
Sink - 3 Compartment

Catalog No. Sinks

A.I.A. File No. 35-C-13

REV B 02/22/2021

# 3 Compartment Sinks



**Model 217608 Shown Above**

Height - 36" (91.44cm)

Depth - 27" (68.58cm)

Freight Class: 100

**DIMENSIONS:**

Model	Width		Drain Board		Location	Crated Ship Weight	
	in.	cm	in.	cm		lbs.	kg
217645	53.00	134.62	N/A	N/A	None	150	60.04
217608	84.00	213.36	18.00	45.72	Rt & Lft	170	77.11
227608*	84.00	213.36	18.00	45.72	Rt & Lft	170	77.11
217610	96.00	243.84	24.00	60.96	Rt & Lft	205	92.99
217612	68.50	174.00	18.00	45.72	Right	175	79.38
217613	68.50	174.00	18.00	45.72	Left	171	77.56
217611	74.50	189.23	24.00	60.96	Right	183	83.00
217646	74.50	189.23	24.00	60.96	Left	183	83.00

\* Canadian Unuit

