



Your Solutions Partner

Specifications

FOB Sedalia, Missouri 65301



REFRIGERATION:

- Holds 1/3, 1/6 and 1/9 size food pans
- Slide out compressor for easy maintenance
- 300 series stainless steel TRI-Channel Liners and sauce bottle holders
- Insulated with environmentally friendly foam insulation with zero Ozone Depleting Potential (ODP), zero Global Warming Potential (GWP), and is Kyoto and Montreal protocol compliant

Agency Listings:



DUKE MANUFACTURING CO.
 2305 N. Broadway
 St. Louis, MO 63102
 800.735.3853 Toll Free
 314.231.5074 Fax
 www.dukemfg.com
 SS-1160 Tri Channel - Sub

Approval Stamp(s):

Duke Tri-Channel® Cold Pan

PRODUCT INFORMATION:

PROJECT: _____

ITEM: _____

QUANTITY: _____

MODEL:

Duke Tri-Channel® Cold Pan

- 2500973 48" Tri Channel Cold Pan 34"H
- 2500988 48" Tri Channel Cold Pan 36"H
- 2500974 60" Tri Channel Cold Pan 34"H
- 2500989 60" Tri Channel Cold Pan 36"H
- 2500975 74" Tri Channel Cold Pan 34"H
- 2500990 74" Tri Channel Cold Pan 36"H
- 2500976 86" Tri Channel Cold Pan 34"H
- 2500991 86" Tri Channel Cold Pan 36"H

COUNTER:

- Top is 14 gauge, 300 series stainless steel.
- Body is heavy gauge painted, A40 galvanized steel with 14 gauge reinforcement channels.
- Refrigerated rails are 300 series non corrosive stainless steel.
- 1/2" Thick, reversible polypropylene cutting boards, includes trash cut out.
- Adjustable kick plates
- Adjustable legs
- Ends of body have cutouts for access for service and cleaning
- Body will accept decor panels

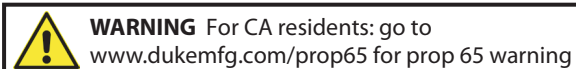
CONTROL:

- Self-defrosting, digital control
- Thermostat will control temperature inside the liner of the cold pan at a point to provide temperature feedback as close to the food product as possible

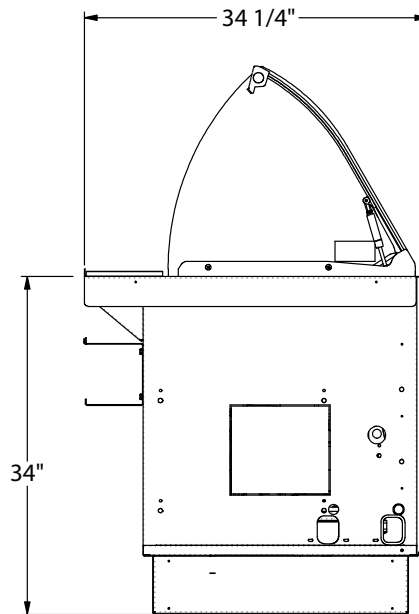
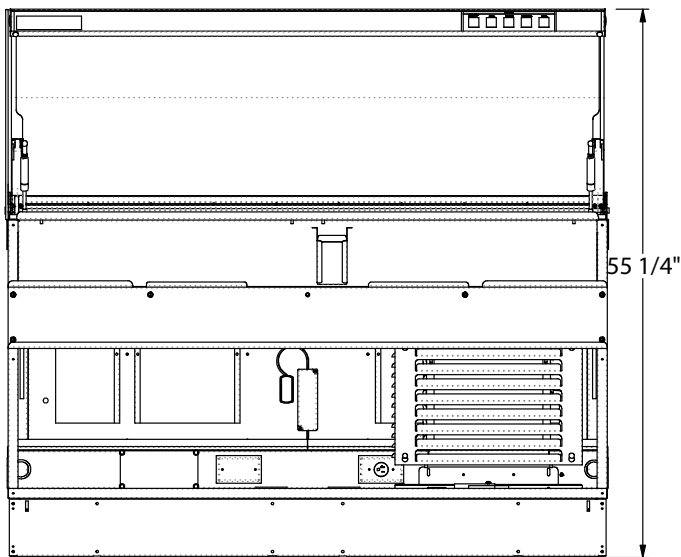
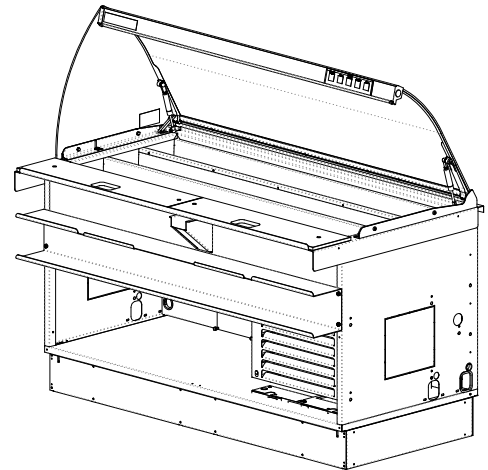
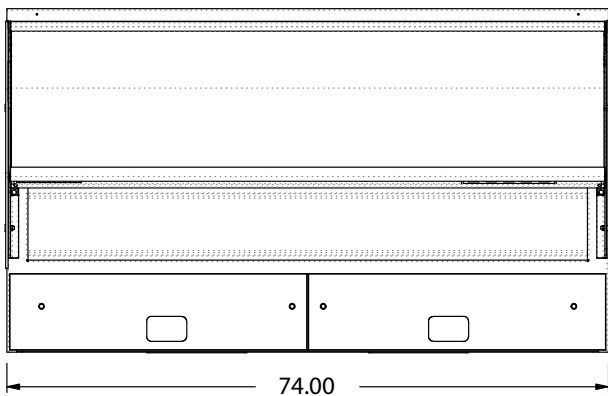
Catalog No. Tri-Channel®

A.I.A. File No. 35-C-13

Specification subject to change



Duke Tri-Channel® Cold Pan



2500975 74" Unit Shown Above

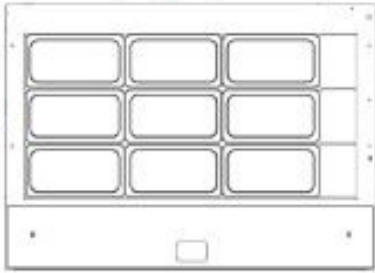
DIMENSIONS:

FREIGHT CLASS: 115

MODEL	Overall Width "X"		Overall Height		Overall Depth		Weight	
	in	cm	in	cm	in	cm	lbs	kg
2500973	48	121.92	34.00	86.36	34.25	87.00	310	140.61
2500988	48	121.92	36.00	91.44	34.25	87.00	310	140.61
2500974	60	152.40	34.00	86.36	34.25	87.00	420	190.51
2500989	60	152.40	36.00	91.44	34.25	87.00	420	190.51
2500975	74	187.96	34.00	86.36	34.25	87.00	548	248.57
2500990	74	187.96	36.00	91.44	34.25	87.00	548	248.57
2500976	86	218.44	34.00	86.36	34.25	87.00	636	288.48
2500991	86	218.44	36.00	91.44	34.25	87.00	636	288.48

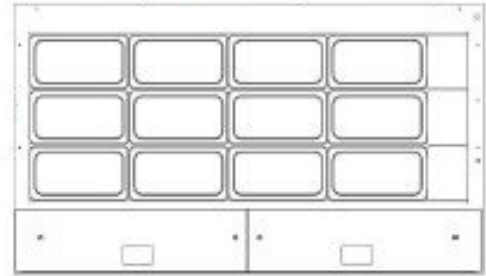
Duke Tri-Channel[®] Cold Pan

TRI-Channel Pan Capacity



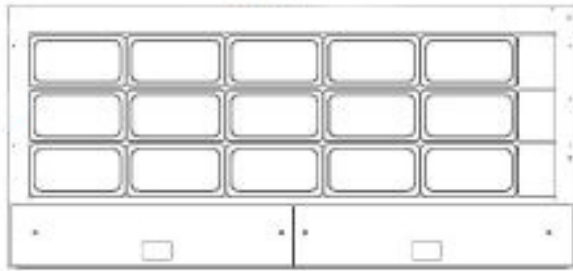
48" TRI-Channel Cold Section

- Capacity: 9, 1/3 Size pans
- 3, Custom Size Sauce Bottle Holders



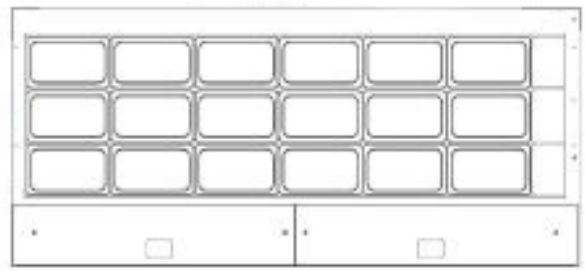
60" TRI-Channel Cold Section

- Capacity: 12, 1/3 Size pans
- 3, Custom Size Sauce Bottle Holders



74" TRI-Channel Cold Section

- Capacity: 15, 1/3 Size pans
- 3, Custom Size Sauce Bottle Holders



86" TRI-Channel Cold Section

- Capacity: 18, 1/3 Size pans
- 3, Custom Size Sauce Bottle Holders

Duke Tri-Channel® Cold Pan

Electrical Specifications:

Model	Refrigerant	Amount ozs. / grms.	Volts	"Frequency (Hz)"	Amps	"Watts (Label)"
48" Unit	R448a	18/510	120	60	4.4	950
48" Unit	R404a	14 / 397	220	60	3.3	730
48" Unit	R290	3.17/90	230	50	3.2	735
60" Unit	R448a	23/652	120	60	4.4	950
60" Unit	R404a	15 / 425	220	60	3.3	730
60" Unit	R290	3.9/110	230	50	3.2	735
74" Unit	R448a	22/624	120	60	8.0	1010
74" Unit	R404a	16 / 454	220	60	4.8	1060
74" Unit	R290	3.9/110	230	50	4.8	1100
86" Unit	R448a	25/709	120	60	8.0	1010
86" Unit	R404a	16 / 454	220	60	4.8	1060
86" Unit	R290	4.23/120	230	50	4.8	1100



Your Solutions Partner

Duke Manufacturing Co.

 2305 N. Broadway
 St. Louis, MO 63102

 Phone: 314-231-1130
 Toll Free: 1-800-735-3853
 Fax: 314-231-5074

www.dukemfg.com