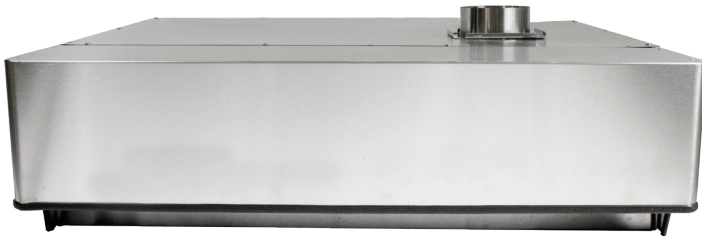




Your Solutions Partner

# Specifications

F.O.B. Sedalia, Missouri 65301



IVS HOOD - FLEXBAKES

Approval Stamp(s):

### PRODUCT INFORMATION:

PROJECT: \_\_\_\_\_

ITEM: \_\_\_\_\_

QUANTITY: \_\_\_\_\_

MODEL: IVS HOOD

- IVS-208-FB5      Domestic
- IVS-CE-FB5      International

### Warranty:

- 2 Years Parts
- 2 Year Labor

### FEATURES:

- Universal for left hand or right hand oven door.
- Easy retro-fit to existing Duke FlexBake5™ proofer ovens.
- Low profile ventilation system replaces oven facade.
- Powered by oven, does not require dedicated outlet.
- Simple mounting procedures for use with your Duke FlexBake5™ Proofer Oven.
- All stainless steel construction

### Certifications

- IVS-208-FB5    Domestic



- IVS-CE-FB5    International



IPX4

### CONTROLS:

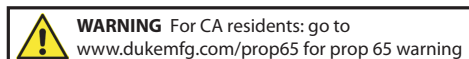
- Ventilation System Smart control only runs when needed to remove steam and heat.

Catalog No. HOODS

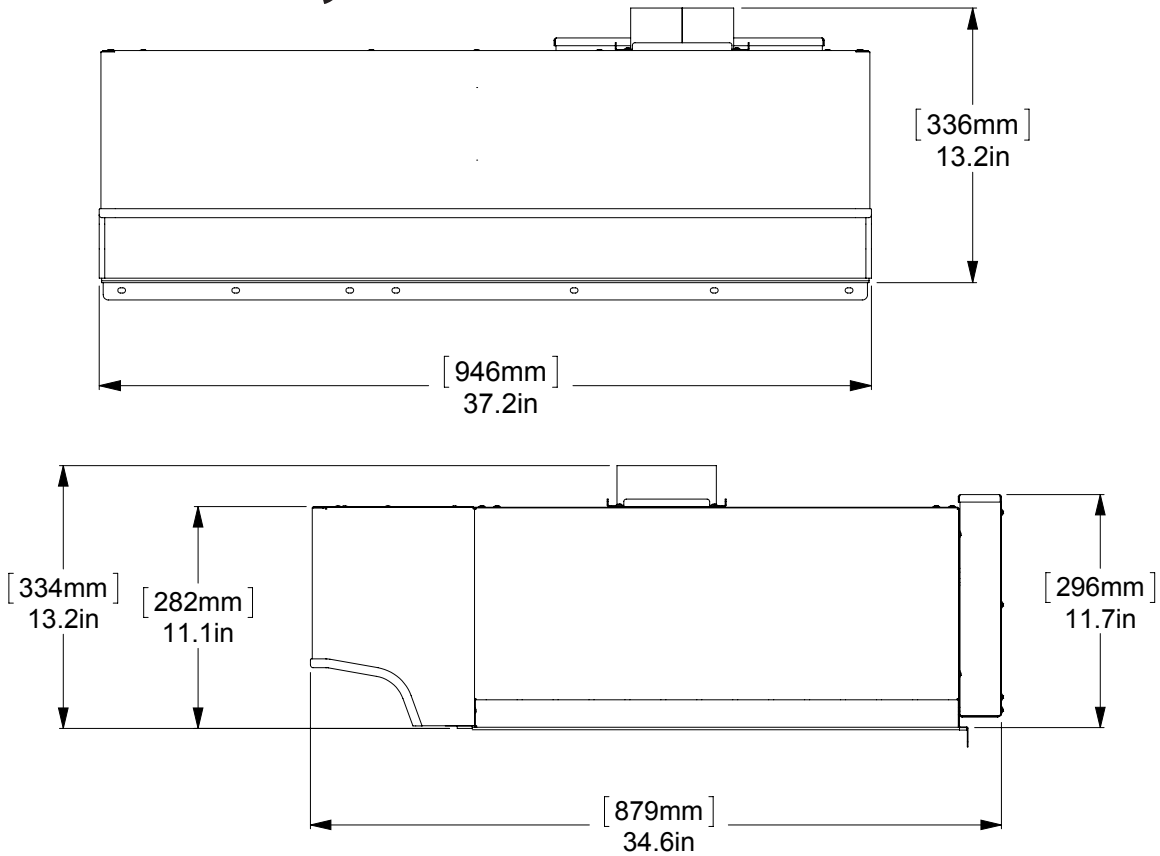
A.I.A. File No. 35-C-13

DUKE MANUFACTURING CO.  
 2305 N. Broadway  
 St. Louis, MO 63102  
 800.735.3853 Toll Free  
 314.231.5074 Fax  
 www.dukemfg.com  
 SS-1025 IVS HOOD FLEXBAKE5™

Specification subject to change



# FlexBake5™ Integrated Ventilation System



### ELECTRICAL SPECIFICATIONS:

Model	Motor
IVS-208-FB5	208V a.c. / 60Hz, 0.49A
	230V a.c. / 60Hz, 0.43A
IVS-CE-FB5	230VAC /50-60Hz, 0.39-0.43A

### BLOWER SPECIFICATION:

Static Pressure		Flowrate	
(Inches of Water)	Pa	CFM	mm³/min
0	0	346	9.8
0.3	75	305	8.64
0.6	150	241	6.82
0.8	200	105	2.97

### DIMENSIONS:

Freight Class: 100

Model	Height	Width	Depth	Crated Ship Weight	Shipping Dimensions	
	in./cm	in./cm.	in./cm.		Carton	Crate
IVS-208-FB5	78.5	37.2	34.6	164	Inches - 40.5X37.1X14.2 CM - 102.9X94.2X36.1	Inches - 45.5X42.3X21.5 CM - 115.6X107.4X54.6
	(199.5)	(94.6)	(87.9)			
IVS-CE-FB5	78.5	37.2	34.6	164	Inches - 40.5X37.1X14.2 CM - 102.9X94.2X36.1	Inches - 45.5X42.3X21.5 CM - 115.6X107.4X54.6
	(199.5)	(94.6)	(87.9)			



**Duke Manufacturing Co.**  
2305 N. Broadway  
St. Louis, MO 63102

Phone: 314-231-1130  
Toll Free: 1-800-735-3853  
Fax: 314-231-5074

www.dukemfg.com