



Your Solutions Partner

# Specifications

FOB Sedalia, Missouri 65301



5R-DBPS

### REQUIRED:

3M SGLP-RO Reverse Osmosis System, Duke Part #514900

### OPTIONS:

- Dual check valve backflow preventer for water supply
- IVS (Integrated Ventilation System)
- Right hand or left hand hinged doors (factory build or field convertible)
- Bread Cart

### WARRANTY

2 years labor  
2 years parts

### AGENCY LISTINGS:



### DUKE MANUFACTURING CO.

2305 N. Broadway  
St. Louis, MO 63102  
800.735.3853 Toll Free  
314.231.5074 Fax  
www.dukemfg.com  
SS-1024 Flexbake5 Oven

## Approval Stamp(s):

### PRODUCT INFORMATION:

PROJECT: \_\_\_\_\_

ITEM: \_\_\_\_\_

QUANTITY: \_\_\_\_\_

### MODEL:

## Duke FlexBake5™ Proof and Bake Oven

### 5R-DBPS

### Duke FlexBake5™

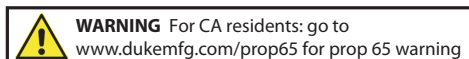
### OVEN:

- Stainless Steel Exterior - Front Frame: 430, 14 Ga. Top & Sides: 430, 18 Ga.
- Stainless Steel Interior - Top: 301, 14 Ga. Sides & Bottom: 301, 18 Ga.
- Interior cavity fully welded utilizing latest technology laser after welding process
- (2) 3800 watt electric heating elements - 7,600 watts of baking power
- 3/4 horsepower 2-speed blower motor, externally accessible for servicing, top mounted (1/2 horsepower on CE models).
- Integrated blower and duct system with inlet and outlet dampers to regulate venting and rapidly cool the cavity
- Bulb & cap style electro-mechanical thermal limiter complaint with UL197
- Humidity generation system - Regulated water supply inlet system, control valve, and delivery system
- Interior lights - Halogen, extended life, industrial rated, low voltage operation, 3 x 10W
- Multi-layer, 2" high temperature (1000°F.) insulating material with corrugated aluminum wrap
- (5) Full pan size racks, solid core material, 301 stainless steel, fully polished, 0.306" diameter frame and 0.120" center support wire
- Cool Touch Door, double pane tempered glass, integral hinge for easy cleaning, easy change gasket
- Line supply cord strain relief and safety tether kit. NEC, UL IEC & CE rated

### CONTROLS

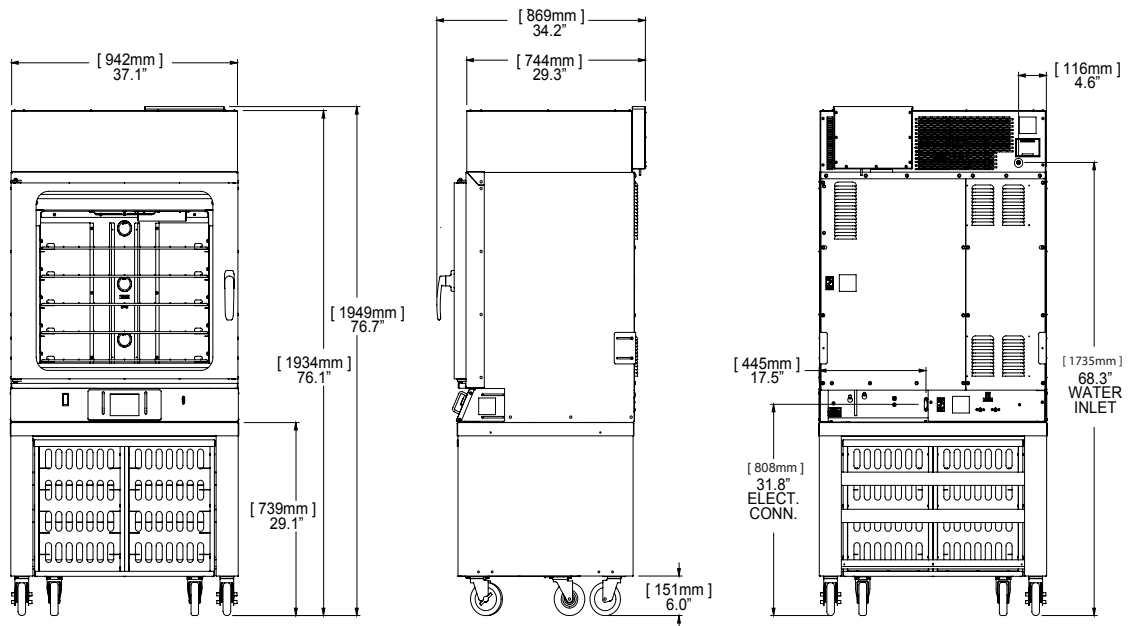
- PCB Material, FR4, 4-layer. 130°C, conformal coated, 8Gb+ memory, real time clock, & 10MHz system clock, 5.7" TFT LED backlight, LCD, 256 color VGA, with resistive touch panel
- Instrument grade precision environmental sensing circuits provide +/-1 °F or less temperature control tolerance. Graphics microprocessor.
- Interconnect to external programming device (USB), full range programmability includes entire software system, recipes, training, instruction, maintenance instructions and common languages.
- 7 baking recipes & 1 cool down function single touch accessed from the main menu screen. Total of 21 recipes available on consecutive screen pages.
- Audio alarms for each oven function.
- Precision RTD temperature sensor.
- Solid state high current switching devices for long life and high reliability.

Specification subject to change

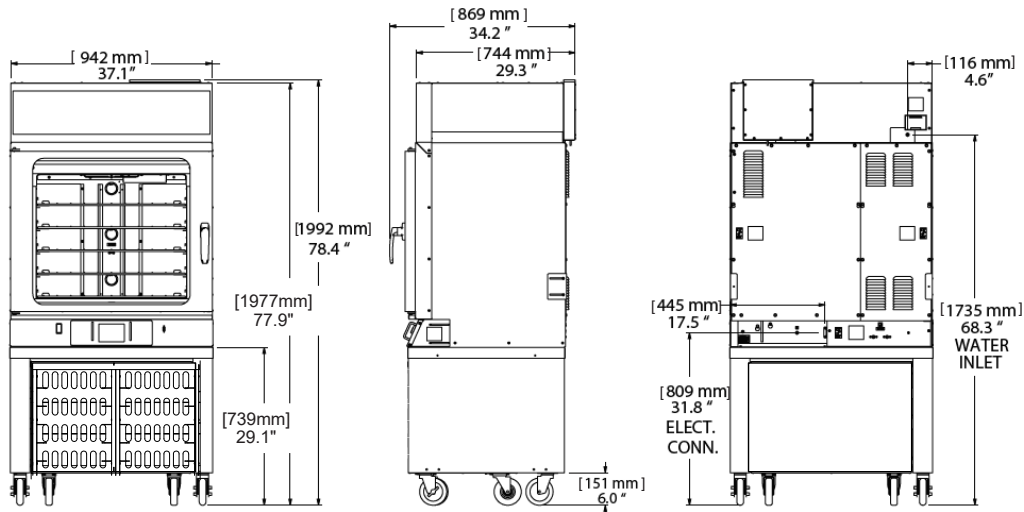


# FlexBake5™ Oven

## FlexBake5™ - Domestic



## FlexBake5™ CE - International



### FlexBake5™ - Domestic

Voltage	(Hz)	Line Phase	Amps (A)	Watts (W)	Circuit Protection Rating
208	60	1	41	8500	45 A
208	60	3~	24.4	8700	30 A
240	60	1	35	8400	40 A
240	60	3~	21	8700	30 A

### FlexBake5™ CE - International

Voltage	(Hz)	Line Phase	Amps (A)	Watts (W)
220-240	50-60	1	39	8500
380-415	50	3N~	13	8500

Unit Weight: Oven and Stand	550 lbs / 250 kg
Shipping Weight: Carton Box	600 lbs / 272 kg
Optional Cart:	67 lbs / 30 kg



**Duke Manufacturing Co.**  
2305 N. Broadway  
St. Louis, MO 63102

Phone: 314-231-1130  
Toll Free: 1-800-735-3853  
Fax: 314-231-5074

[www.dukemfg.com](http://www.dukemfg.com)

Printed in U.S.A.  
© 2021, Duke Manufacturing Co.