

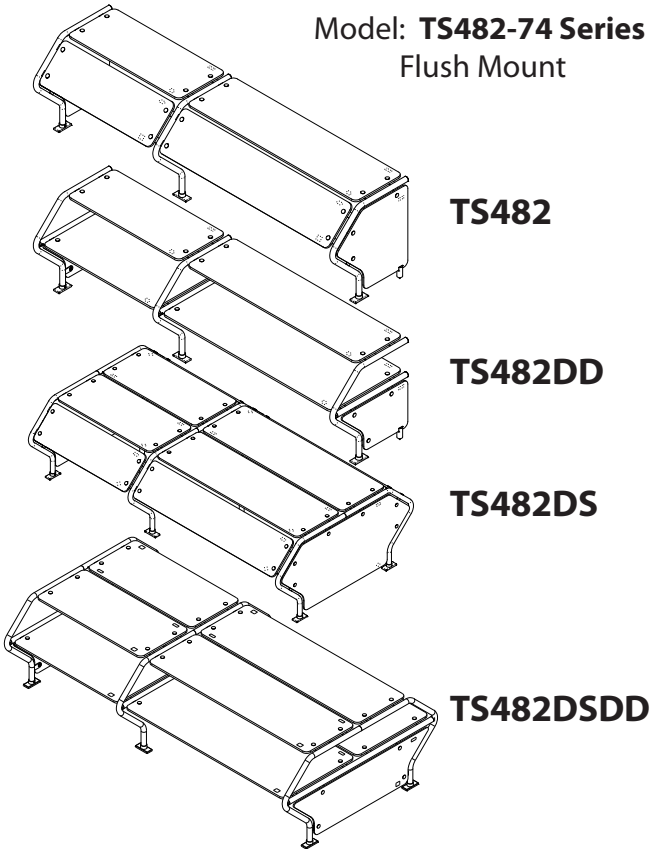


Your Solutions Partner

Specifications

F.O.B. Sedalia, Missouri 65301

Model: **TS482-74 Series**
Flush Mount



OPTIONS:

- Led lights
- Heater
 - 120 Volt
 - 208 Volt
 - 240 Volt
- Special Height
- Special Length - Max 60" CL/CL per Section

Approval Stamp(s):

PRODUCT INFORMATION:

PROJECT: _____

ITEM: _____

QUANTITY: _____

MODEL:

TS482 Food Guard Series

- TS482 Single Shelf
- TS482DD Double Deck
- TS482DS Double Sided
- TS482DSDD Double Sided Double Deck

MOUNTING OPTIONS:

- Flush Mount
- Through Mount

TYPE:

- 32 1 Section
- 46 1 Section
- 60 1 Section
- 74 2 Sections
- 88 2 Sections

FRAMES:

- 1" Dia. Stainless Steel
- or
- Powder coated steel - Choice of 12 colors

GUARDS:

- 1/4" Tempered Side Glass
- 3/8" Tempered Shelf and Front Glass
- Clear polished edges on all glass

Certifications:



DUKE MANUFACTURING CO.
 2305 N. Broadway
 St. Louis, MO 63102
 800.735.3853 Toll Free
 314.231.5074 Fax
 www.dukemfg.com
 SS-1105 TS482 Series Food Guard

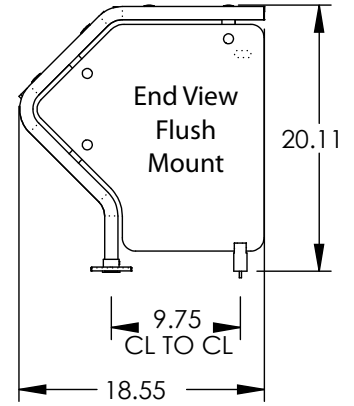
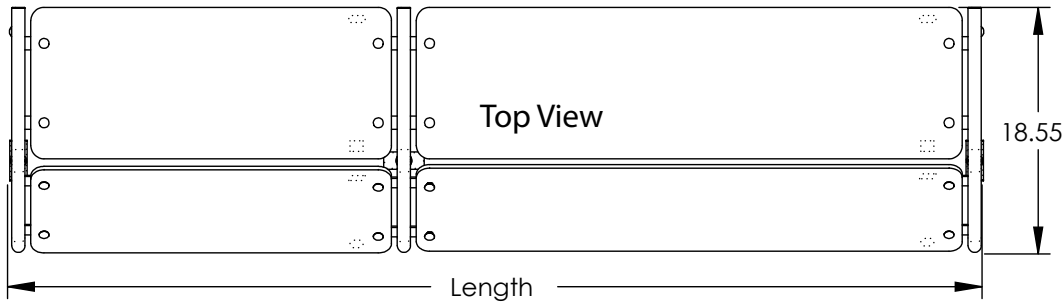
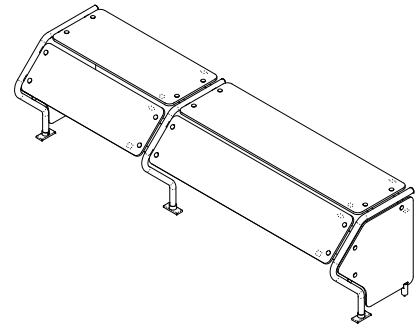
Specification subject to change



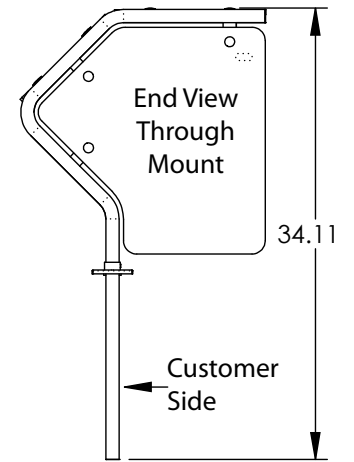
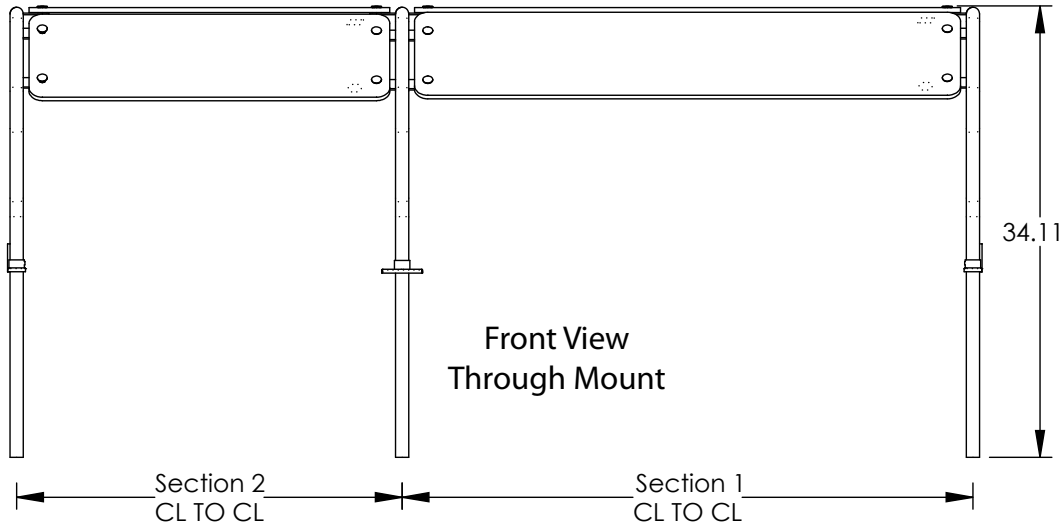
Rev B 01/23/2020

TS482 SERIES Single Shelf

A.I.A. File No. 35-C-13



Catalog No. FS CONTEMPORARY



TS482-74 Shown Above

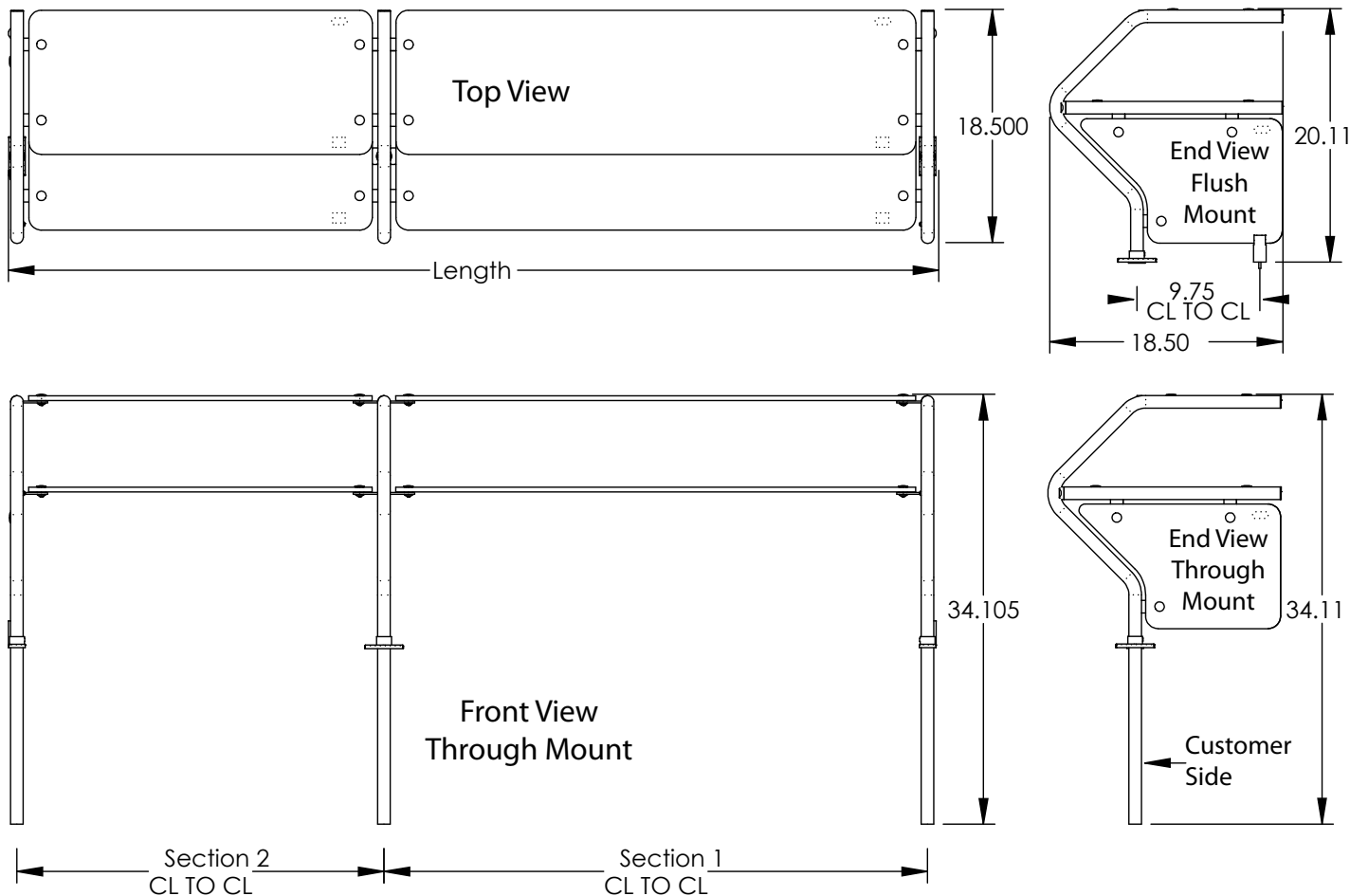
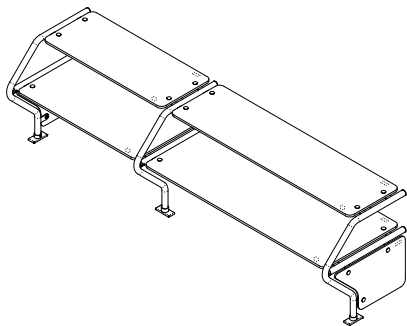
Dimensions:

Freight Class: 100

Overall Height: 20.11 in. / 51.08 cm			Depth Overall: 18.55 in. / 47.12 cm						
			CL/CL: 9.75 in. / 24.77 cm						
Model	Length		Section 1 Length		Section 2 - Length		Cube ft. crated	Crated Ship Weight	
	Overall		CL/CL		CL/CL			lbs.	kg
	in.	cm	in.	cm	in.	cm			
TS482-32	31.57	80.01	30.25	76.84	N/A		18	40	17.2
TS482-46	45.57	115.57	44.25	112.40	N/A		21	48	20.9
TS482-60	59.57	151.13	58.25	147.96	N/A		31	68	29.9
TS482-74	73.57	186.69	43.125	109.54	29.125	73.98	45	98	43.5
TS482-88	87.57	222.25	43.125	109.54	43.125	109.54	54	118	52.6

FOOD GUARD TS482 SERIES - TS482

TS482DD SERIES Double Deck



TS482DD-74 Double Deck

Dimensions:

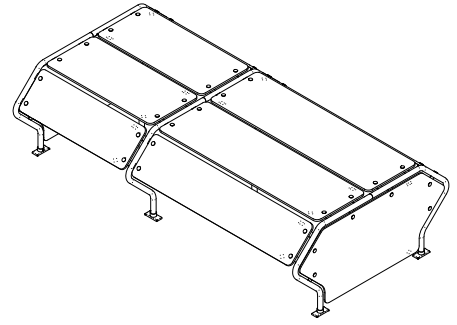
Freight Class: 100

Overall Height: 20.11 in. / 51.08 cm				Depth Overall: 18.5 in. / 47.12 cm					
				CL/CL: 9.75 in. / 24.77 cm					
Model	Length		Section 1 Length		Section 2 - Length		Cube ft. crated	Crated Ship Weight	
	Overall		CL/CL		CL/CL			lbs.	kg
	in.	cm	in.	cm	in.	cm			
TS482DD-32	31.57	80.01	30.25	76.84	N/A		23	48	22.0
TS482DD-46	45.57	115.57	44.25	112.40	N/A		28	58	26.3
TS482DD-60	59.57	151.13	58.25	147.96	N/A		40	82	37.2
TS482DD-74	73.57	186.69	43.125	109.54	29.125	73.98	50	118	53.5
TS482DD-88	87.57	222.25	43.125	109.54	43.125	109.54	65	142	64.4

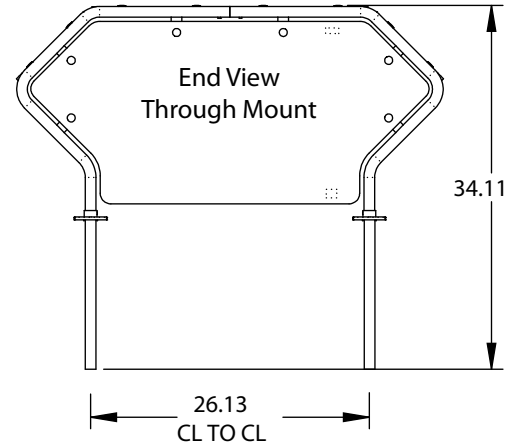
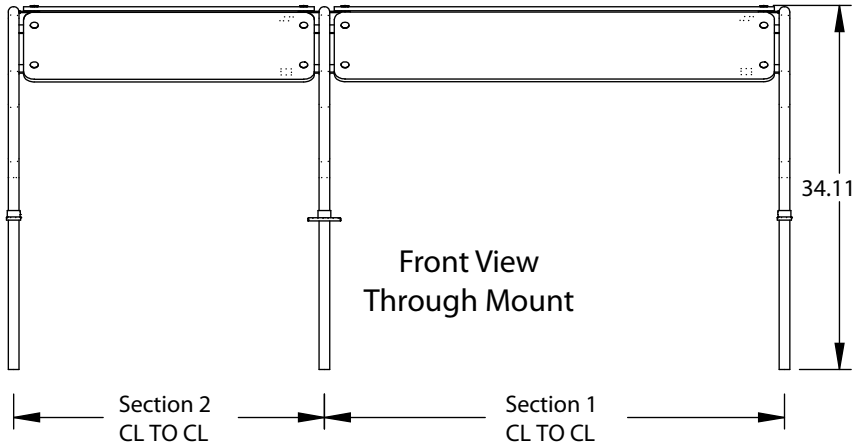
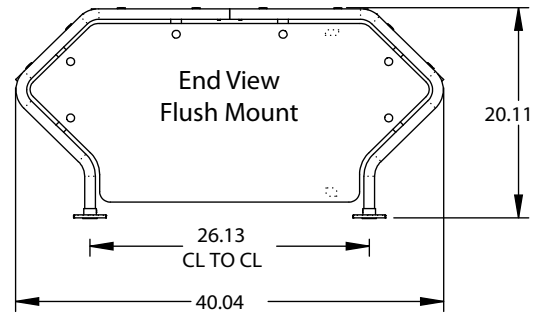
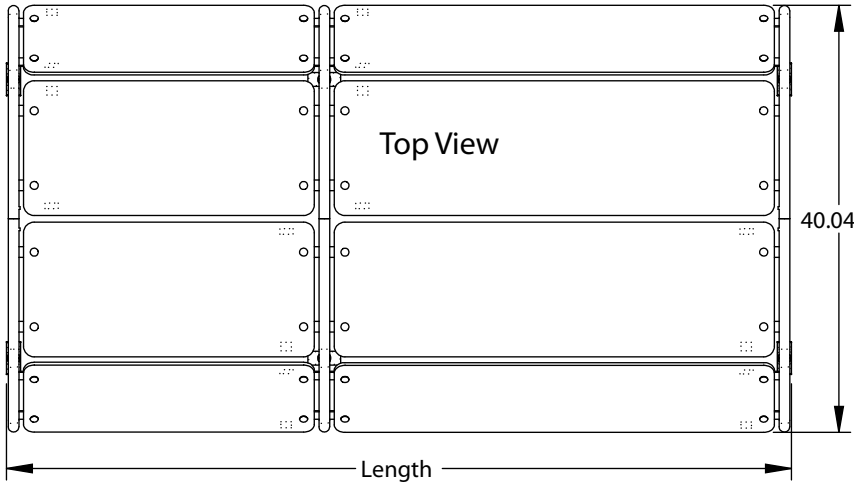
DD = Double Deck

TS482DS SERIES Double Sided

A.I.A. File No. 35-C-13



Catalog No. FS CONTEMPORARY



TS462DS-74 Double Sided

Dimensions:

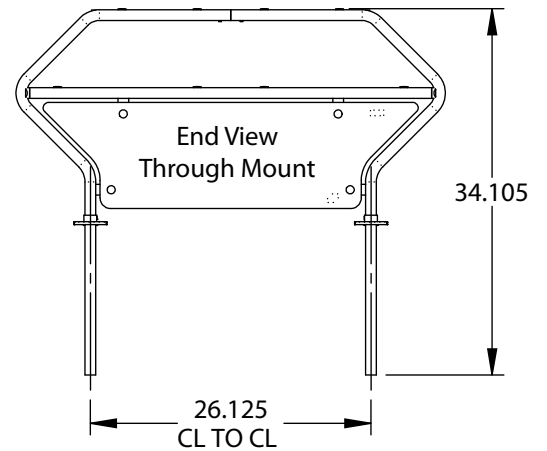
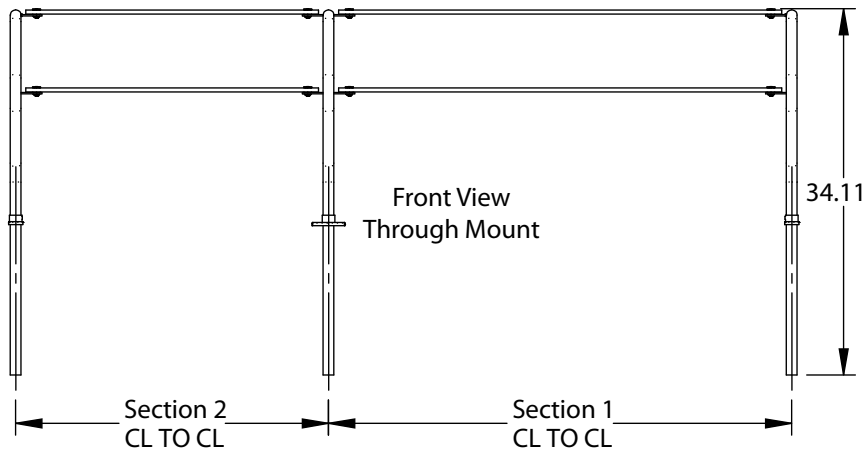
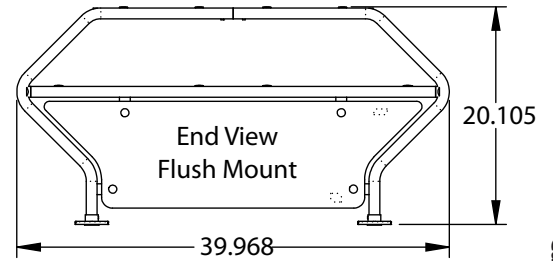
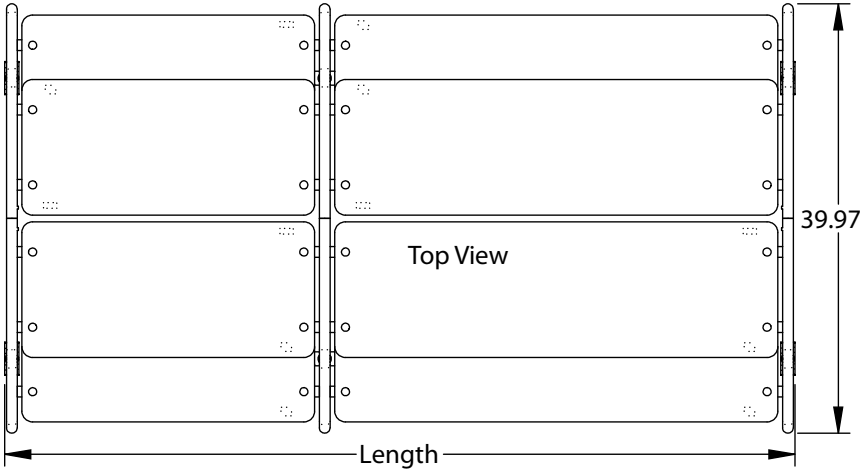
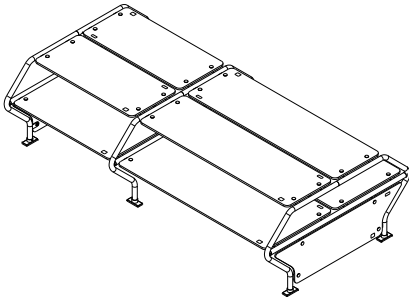
Freight Class: 100

Overall Height: 20.11 in./51.08 cm				Depth Overall: 40.04 in./ 101.7 CL/CL: 26.13in./ 66.37 cm					
Model	Length		Section 1 Length		Section 2 - Length		Cube ft. crated	Crated Ship Weight	
	Overall		CL/CL		CL/CL			lbs.	kg
	in.	cm	in.	cm	in.	cm			
TS482DS-32	31.57	80.01	30.25	76.84	N/A		36	80	36.29
TS482DS-46	45.57	115.57	44.25	112.40	N/A		42	96	43.5
TS482DS-60	59.57	151.13	58.25	147.96	N/A		62	136	61.7
TS482DS-74	73.57	186.69	43.125	109.54	29.125	73.98	90	196	88.9
TS482DS-88	87.57	222.25	43.125	109.54	43.125	109.54	108	236	107.0

FOOD GUARD TS482 SERIES - TS482

DS - Double Sided

TS482SDD SERIES Double Sided Double Deck



TS482SDD-74 Double Sided Double Deck

Dimensions:

Freight Class: 100

Overall Height: 20.11 in./51.08 cm			Depth Overall: 39.97 in./ 101.52 cm CL/CL: 26.125 in./66.36 cm						
Model	Length		Section 1 Length		Section 2 - Length		Cube ft. crated	Crated Ship Weight	
	Overall		CL/CL		CL/CL			lbs.	kg
	in.	cm	in.	cm	in.	cm			
TS482SDD-32	31.57	80.01	30.25	76.84	N/A		28	60	27.22
TS482SDD-46	45.57	115.57	44.25	112.40	N/A		35	75	34.00
TS482SDD-60	59.57	151.13	58.25	147.96	N/A		41	90	40.82
TS482SDD-74	73.57	186.69	43.125	109.54	29.125	73.98	51	110	49.90
TS482SDD-88	87.57	222.25	43.125	109.54	43.125	109.54	62	135	61.23

DSDD = Double Sided Double Deck

A.I.A. File No. 35-C-13 **FOOD GUARD TS482 SERIES**

Electrical Specifications:

Catalog No. FS CONTEMPORARY

FOOD GUARD TS482 SERIES - TS482

MODEL	120 Volt						208 Volt Heater Only	120/208 Volt LED and Heater		240 Volt Heater Only		120/240 Volt LED and Heater		
	LED Only NEMA 5-15P		Heater Only		LED and Heater			Watts	Amps	Watts	Amps	Watts	Amps	
	Watts	Amps	Watts	Amps	Watts	Amps	Watts	Amps	Watts	Amps	Watts	Amps	Watts	Amps
TS482-32	4	.042	250	2.08	254	2.12	250	1.20	254	1.22	250	1.04	254	1.06
TS482-46	8	.060	450	3.75	458	3.82	450	2.16	458	2.20	450	1.88	458	1.91
TS482-60	14	.117	675	5.63	689	5.74	675	3.25	689	3.31	675	2.81	689	2.87
TS482-74	18	.150	1050	8.75	1068	8.9	1050	5.05	1068	5.13	1050	4.38	1068	4.45
TS482-88	23	.192	N/A	N/A	N/A	N/A	1275	6.13	1298	6.24	1275	5.31	1298	5.41
TS482DS-32	4	.070	500	4.17	508	4.23	500	2.40	508	2.44	500	2.08	508	2.12
TS482DS-46	16	.140	900	7.5	918	7.63	900	4.33	916	4.40	900	3.75	916	3.82
TS482DS-60	28	.240	1350	11.25	1378	11.48	1350	6.49	1378	6.63	1350	5.63	1378	5.74
TS482DS-74	36	.300	N/A	N/A	N/A	N/A	2100	10.10	2136	10.27	2100	8.75	2136	8.90
TS482DS-88	46	.390	N/A	N/A	N/A	N/A	2550	12.26	2596	12.48	2550	10.63	2596	10.82
TS482DD-32	4	.070	N/A	N/A	N/A	N/A	N/A	N/A	N/A	N/A	N/A	N/A	N/A	N/A
TS482DD-46	8	.140	N/A	N/A	N/A	N/A	N/A	N/A	N/A	N/A	N/A	N/A	N/A	N/A
TS482DD-60	14	.240	N/A	N/A	N/A	N/A	N/A	N/A	N/A	N/A	N/A	N/A	N/A	N/A
TS482DD-74	18	.300	N/A	N/A	N/A	N/A	N/A	N/A	N/A	N/A	N/A	N/A	N/A	N/A
TS482DD-88	23	.390	N/A	N/A	N/A	N/A	N/A	N/A	N/A	N/A	N/A	N/A	N/A	N/A
TS482 DSDD-32	8	.060	N/A	N/A	N/A	N/A	N/A	N/A	N/A	N/A	N/A	N/A	N/A	N/A
TS482 DSDD-46	16	.140	N/A	N/A	N/A	N/A	N/A	N/A	N/A	N/A	N/A	N/A	N/A	N/A
TS482 DSDD-60	28	.240	N/A	N/A	N/A	N/A	N/A	N/A	N/A	N/A	N/A	N/A	N/A	N/A
TS482 DSDD-74	36	.300	N/A	N/A	N/A	N/A	N/A	N/A	N/A	N/A	N/A	N/A	N/A	N/A
TS482 DSDD-88	46	.390	N/A	N/A	N/A	N/A	N/A	N/A	N/A	N/A	N/A	N/A	N/A	N/A

DS Double Sided
 DD Double Deck
 DSDD Double Sided Double Deck



Duke Manufacturing Co.
 2305 N. Broadway
 St. Louis, MO 63102

Phone: 314-231-1130
 Toll Free: 1-800-735-3853
 Fax: 314-231-5074

www.dukemfg.com