



Your Solutions Partner

Specifications

F.O.B. Sedalia, Missouri 65301



956-460-x

OPTIONS:

- Radiant Heat Rods (HT) Specify Voltage
- Fluorescent Lights (FL)
- Stainless protector panel
- Special lengths
- Special guards
- Acrylic protector panel
- Heater with incandescent lights
- Double deck shelves
- Powder coat painted frames and shelf

Approval Stamp(s):

PRODUCT INFORMATION:

PROJECT: _____

ITEM: _____

QUANTITY: _____

MODEL: Foodshield - Deluxe Serving Shelves

Fits: Aerohot & Thurmduke Steamtables, Heritage, EconoMate, Aeroserv Serving Systems

- 956-460-2
- 956-460-3
- 956-460-4 Deluxe Serving shelves
- 956-460-5
- 956-460-6

FRAMES:

- 3/4" square stainless steel tube

GUARDS:

- 1/4" tempered glass guard with stainless steel trim
- Full service style
- Clear acrylic enclosures both ends.

SIZES:

All units available in following lengths:

- 30-7/32"
- 44-7/32"
- 58-7/32"
- 72-7/32"
- 86-7/32"

SHELF:

- Heavy gauge stainless steel with edges flanged down

Agency Listings:



DUKE MANUFACTURING CO.

2305 N. Broadway

St. Louis, MO 63102

800.735.3853 Toll Free

314.231.5074 Fax

www.dukemfg.com

Specification subject to change

SS-1092 Foodshield Deluxe-956-460-X

REV B 5/30/2019

FOODSHIELD - SERVING SHELVES

Catalog No. FS-SHELVES

A.I.A. File No. 35-C-13

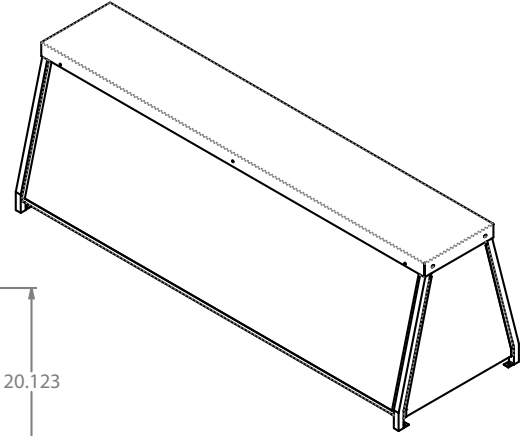
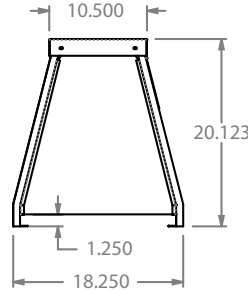
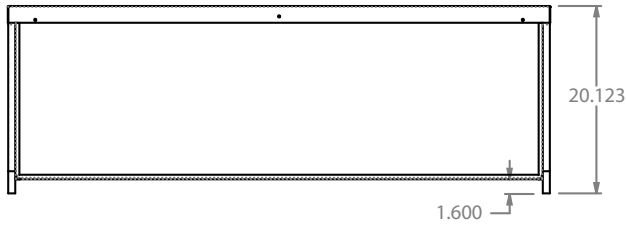
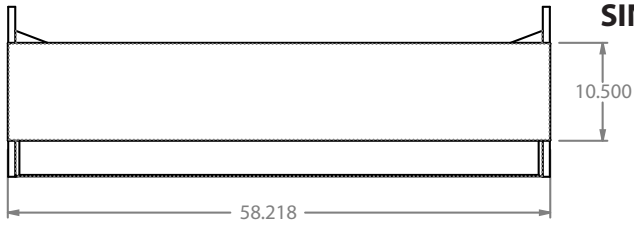
FOODSHIELD - Shelves

A.I.A. File No. 35-C-13

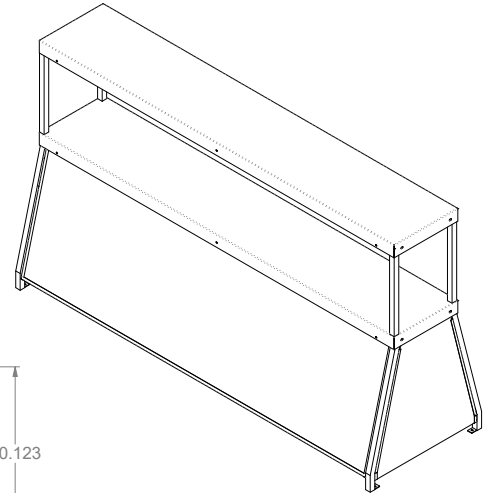
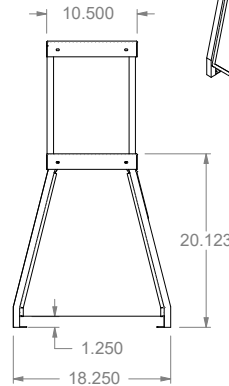
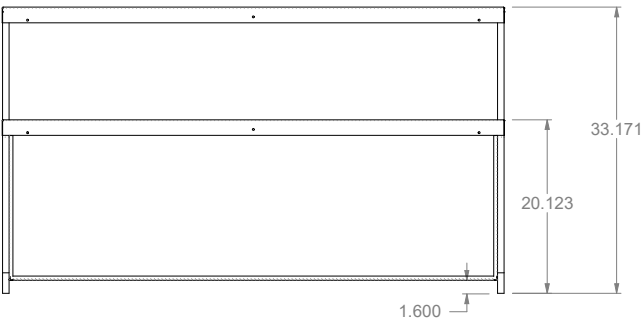
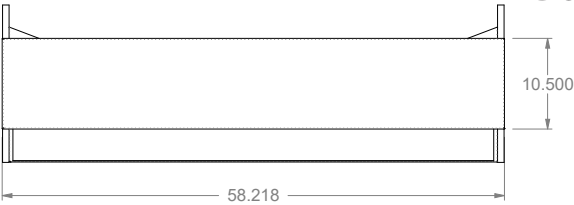
Catalog No. FS-SHELVES

FOODSHIELD - SERVING SHELVES

SINGLE SHELF



DOUBLE DECK OPTION



DIMENSIONS: Deluxe Serving Shelves

Freight Class: 85

Model	Length		Width		Height		Cube ft. Crated	Weight	
	in	cm	in	cm	in	cm		W/Protector lbs	kg
956-460-2	30-7/32	76.8	10-1/2	26.7	20	50.8	6.7	32	14.6
956-460-3	44-7/32	112.3	10-1/2	26.7	20	50.8	9.3	40	18.2
956-460-4	58-7/32	147.9	10-1/2	26.7	20	50.8	11.9	50	22.7
956-460-5	72-7/32	183.4	10-1/2	26.7	20	50.8	14.5	58	26.4
956-460-6	86-7/32	219.0	10-1/2	26.7	20	50.8	17.2	67	30.5



Duke Manufacturing Co.
2305 N. Broadway
St. Louis, MO 63102

Phone: 314-231-1130
Toll Free: 1-800-735-3853
Fax: 314-231-5074

www.dukemfg.com

Printed in U.S.A
© 2019, Duke Manufacturing Co.