



Your Solutions Partner

Specifications

F.O.B Sedalia, Missouri 65301



TS570-xx

OPTIONS:

- Fluorescent light
- Radiant heat rod w/incandescent light - 120V (steel shelf only)
- Radiant heat rod w/switch (steel shelf only)
- Special lengths or heights
- Special finish colors

Agency Listings:



DUKE MANUFACTURING CO.
 2305 N. Broadway
 St. Louis, MO 63102

800.735.3853 Toll Free
314.231.5074 Fax
www.dukemfg.com

Approval Stamp(s):

PRODUCT INFORMATION:

PROJECT: _____

ITEM: _____

QUANTITY: _____

MODEL: Foodshield - Designer Series - Full Service

Fits: Thurmaduke Steamtable, Aeroserv, Thurmaduke Serving Systems

- TS570-32**
- TS570-46**
- TS570-60** Full Service Style - Glass Top
- TS570-74**
- TS570-88**

TOP SHELF:

- 1/4" tempered glass shelf
- 18 gauge stainless steel or paint steel frame
- Choice of (12) powder coat paint colors (must choose one):

- | | |
|---|--|
| <input type="checkbox"/> #217105 - Bright White | <input type="checkbox"/> #217103 - Natural Almond |
| <input type="checkbox"/> #217150 - Orange | <input type="checkbox"/> #217154 - Racing Red |
| <input type="checkbox"/> #217107 - Hollyberry Red | <input type="checkbox"/> #217120 - Sky Blue |
| <input type="checkbox"/> #217127 - Fence Green | <input type="checkbox"/> #217152 - Stone Gray |
| <input type="checkbox"/> #217102 - Silver Hammer | <input type="checkbox"/> #217113 - Brown Kickplate |
| <input type="checkbox"/> #217101 - Semi-Gloss Black | <input type="checkbox"/> #217125 - Textured Black |

ENDS:

- 18 gauge stainless steel or choice of 12 powder coat colors

GUARDS:

- Adjustable 1/4" tempered glass food shield
- Stainless steel edge trim
- Clear acrylic enclosures both ends

SIZES:

- All units available in following lengths
 31-3/4", 45-3/4", 59-3/4", 73-3/4", 87-3/4"

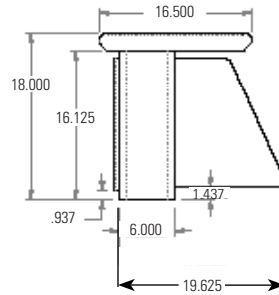
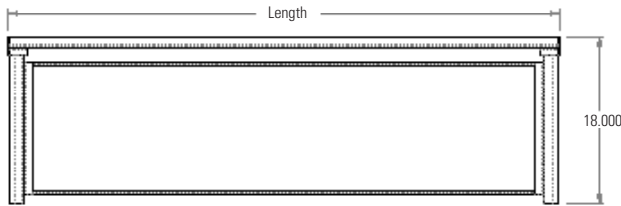
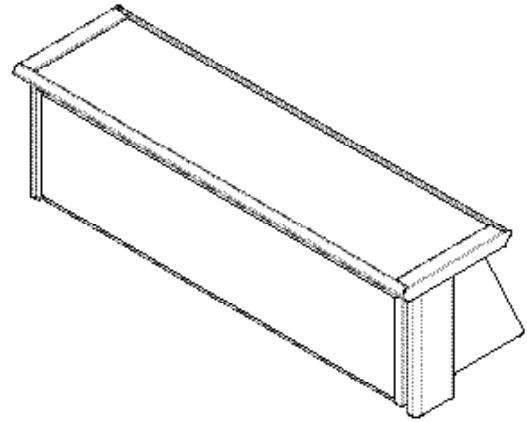
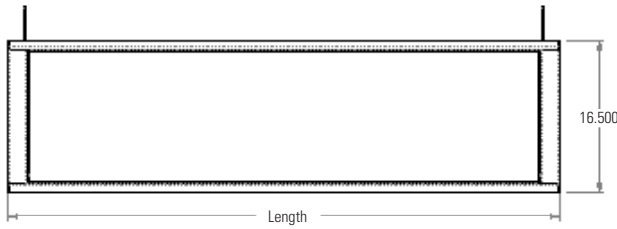
SHORT FORM SPECIFICATIONS:

Foodshield - TS570-xx - Service Style with glass top, front glass, stainless or painted end panels.

NSF Updates: (1) Made end guard deeper.

FOODSHIELD - DESIGNER SERIES

- TS570-32**
- TS570-46**
- TS570-60** Full Service Style - Glass Top
- TS570-74**
- TS570-88**



DIMENSIONS:

Full Service Style, w/stainless steel or painted top, painted or stainless end panels Freight Class: 125

Model	Length		Height		Width		Weight		Cube ft. Crated
	in	cm	in.	cm	in.	cm	lbs.	kg	
TS570-32	32	81.3	18	45.7	19.625	49.8	58	26.4	9.4
TS570-46	46	116.8	18	45.7	19.625	49.8	78	35.5	13.3
TS570-60	60	152.4	18	45.7	19.625	49.8	108	49.1	16.2
TS570-74	74	188.0	18	45.7	19.625	49.8	128	58.2	19.7
TS570-88	88	223.5	18	45.7	19.625	49.8	148	67.3	23.1



DUKE MANUFACTURING CO.

2305 N. Broadway
St. Louis, MO 63102

800.735.3853 Toll Free
314.231.1130 In Missouri
314.231.5074 Fax
www.dukemfg.com

Specification subject to change