

# Integrated Ventilation System (IVS) for the FlexBake5



Enhance your FlexBake5 Oven with an optional Ventilation System (IVS).

## FlexBake5 IVS Highlights

- Optional Integrated Ventilation System helps to remove heat and steam from the restaurant.
- For use with the Duke FlexBake5 All-in-One Oven - additional ventilation is not required with this oven, but recommended if the oven will be in a low-profile space.
- Low profile ventilation system replaces oven shroud and puts the steam capture feature near door.
- All stainless steel construction.

Models:  
IVS-208 & 230-FB5 & IVS-CE-FB5

## Duke FlexBake5 - IVS Hood

- Universal for left hand or right hand oven door.
- Easy retro-fits to existing Duke FlexBake5 All-in-One Oven ovens.
- Low profile ventilation system replaces oven shroud.
- Eliminates the need for a 4" overhang on each side of the oven for better space utilization.
- Powered by the oven, does not require a dedicated outlet.
- Simple mounting procedures for use with your Duke FlexBake5 Proofer Oven.
- UL and cUL laboratory certification approval.
- Ventilation System: Smart control only runs when needed to remove steam and heat.



FlexBake5 Oven With IVS



IVS



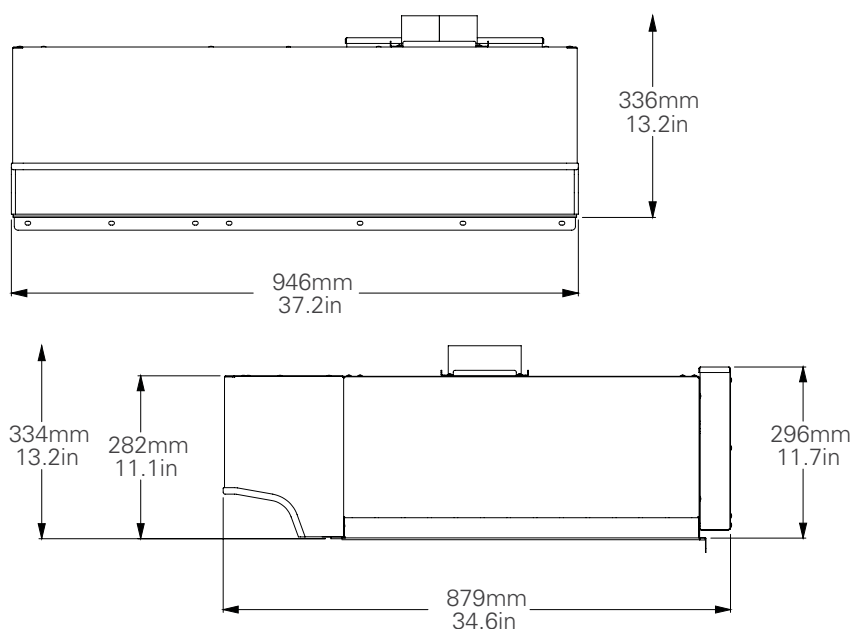


## Electrical:

Model Number	Volt	Hz	Amps
IVS-208-FB5	208	60	0.49
	230	60	0.43
IVS-CE-FB5	230	50-60	0.39 - 0.43

## Warranty:

- 3 Years Parts
- 1 Year Labor



## Options:

- N/A



## Agency Listings:



## Agency Listings CE-FB5:



## Blower Specification:

Static Pressure		Flow Rate	
Inches of Water	Pa	CFM	mm <sup>3</sup> /min
0	0	346	9.8
0.3	75	305	8.64
0.6	150	241	6.82
0.8	200	105	2.97

## Shipping Weight & Dimensions:

Shipping Weight	Overall Length		Overall Depth		Overall Height		Crated Size*
	lbs	in	cm	in	cm	in.	
164 Crated	45.5	115.6	42.3	107.4	21.5	51.6	Crated Size*

\*Specifications subject to change

### DUKE CORPORATE UNITED STATES, CANADA

2305 N. Broadway  
St. Louis, MO 63102  
Toll Free: 800 735 3853  
Phone: 314 231 1130  
Fax: 314 231 5074  
www.dukemfg.com/Subway

Email:  
SubwaySales@dukemfg.com

Subway\_Flexbake5\_IVS\_brochure\_2.12.2018

### UK, IRELAND, NORDIC COUNTRIES

Phone: +44 (0) 1395 234140

### LATIN AMERICA:

Toll Free: 800-735-3853 ext. 1430

### ASIA

Duke Food Service Equipment  
Shanghai Company Limited  
No. 3 Building,  
Lane 28, Yu Lv Road,  
Malu Town, Jiading District  
Shanghai 201801, China  
Phone: +86.21.59153525/59153526  
Fax: +86.21.33600628

### EUROPE, MIDDLE EAST, AFRICA, RUSSIA

Duke Manufacturing CR s.r.o.  
Na Dlouhem 86  
Jazlovce, Ricany  
Building number DC 6A  
Prologis Park Prague D1 East  
Prague 251 01  
Czech Republic  
Phone: (+420) 323 608 193  
Fax: (+420) 323 608 144  
Smallwares: (+420) 323 603 766