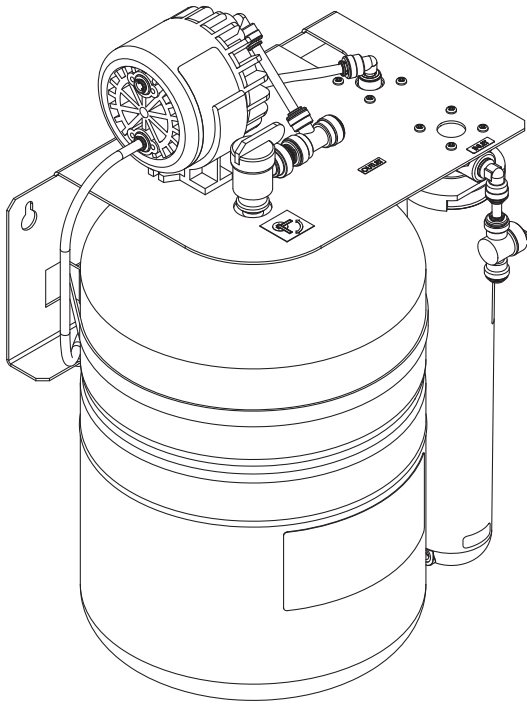


3M Science. Applied to Life.™

3M™ Water Filtration Products

Model SGLP-RO Reverse Osmosis System- Quick Installation Guide



Note: Installer - please leave with owner/operator.



SAFETY INFORMATION

Read, understand, and follow all safety information contained in these instructions prior to installation and use of the 3M™ Water Filtration Products SGLP-RO Reverse Osmosis System. Retain these instructions for future reference.

Intended use:

The 3M™ Water Filtration Products SGLP-RO Reverse Osmosis System is intended for use in filtering potable water and has not been evaluated for other uses. The products are installed at the point of use and must be installed as specified in these installation instructions by a qualified professional.

EXPLANATION OF SIGNAL WORD CONSEQUENCES	
⚠ WARNING:	Indicates a potentially hazardous situation, which, if not avoided, could result in death or serious injury and/or property damage.
⚠ CAUTION:	Indicates a hazardous situation which, if not avoided, could result in minor or moderate injury and/or property damage.
NOTICE:	Indicates a potentially hazardous situation, which, if not avoided, may result in property damage.

⚠ WARNING:

Read entire manual. Failure to follow all guides and rules could cause personal injury or property damage.

- Check with your local public works department for plumbing codes. You must follow their guidelines as you install the water filtration system.
- Your water filtration system will withstand up to 100 pounds per square inch (psi) water pressure. If your water supply pressure is higher than 80 psi, install a pressure reducing valve before installing the water filtration system.

To reduce the risk associated with choking:

- **DO NOT** allow children under 3 years of age to have access to small parts during the installation of this product.

To reduce the risk associated with the ingestion of contaminants:

- **DO NOT** use with water that is microbiologically unsafe or of unknown quality without adequate disinfection before or after the system.

To reduce the risk associated with hazardous voltage due to an installer drilling through existing electric wiring or water pipes in the area of installation:

- **DO NOT** install near electric wiring or piping which may be in path of a drilling tool when selecting the position to mount the filter bracket.

NOTICE:

To reduce the risk associated with property damage due to water leakage or flooding:

- Read and follow Use Instructions before installation and use of this system.
- Change the disposable PreFilter and RO Membrane at the recommended interval; the disposable pre-filter and RO Membrane **MUST** be replaced every 12 months or sooner.
- Failure to replace the disposable PreFilter and RO Membrane at recommended intervals may lead to reduced filter performance and failure of the filter, causing property damage from water leakage or flooding.
- Protect from freezing, remove filter cartridge when temperatures are expected to drop below 33° F (4.4° C).
- **DO NOT** install systems in areas where ambient temperatures may go above 110° F (43.3° C).
- **DO NOT** install on hot water supply lines. The maximum operating water temperature of this filter system is 100°F (37.8°C).
- **DO NOT** install if water pressure exceeds 100 psi (689 kPa). If your water pressure exceeds 80 psi (552 kPa), you must install a pressure limiting valve. Contact a plumbing professional if you are uncertain how to check your water pressure.
- **DO NOT** install where water hammer conditions may occur. If water hammer conditions exist you must install a water hammer arrester. Contact a plumbing professional if you are uncertain how to check for this condition.
- Where a backflow prevention device is installed on a water system, a device for controlling pressure due to thermal expansion **MUST** be installed. Contact a plumbing professional if you are uncertain how to select/install/maintain a thermal expansion device.
- Where a booster pump is installed on a water system, you **MUST** maintain and inspect the attached pressure switch regularly in accordance with the booster pump manufacturer's instructions. Contact a plumbing professional if you are uncertain how to maintain your booster pump system.

NOTICE (continued):

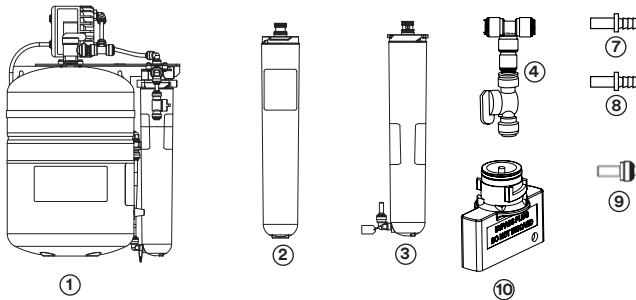
To reduce the risk associated with property damage due to water leakage or flooding:

- Where a booster pump is installed on a water system, you **MUST** install an appropriate pressure relief valve. Pressure relief valve must be maintained and inspected every 6 months. Contact a plumbing professional if you are uncertain how select/install/maintain a pressure relief valve.
- Where a booster pump is installed on a water system, you **MUST** install an appropriate pressure regulating valve and regulate water pressure to <80psi. Contact a plumbing professional if you are uncertain how select/install/maintain a pressure regulating valve.
- **DO NOT** install in direct sunlight or outdoors.
- **DO NOT** install near water pipes which will be in path of a drilling tool when selecting the position to mount the bracket.
- Mount filter in such a position as to prevent it from being struck by other items used in the area of installation.
- Ensure that the location and fasteners will support the weight of the system when installed and full of water.
- Ensure all tubing and fittings are secure and free of leaks.
- **DO NOT** install unit if collet is missing. Contact 3M™ Water Filtration Products if collets are missing from any fittings.
- Use compatible flexible tubing with 'push in connections' (such as PEX tubing, PE tubing, PP tubing).
- **DO NOT** install with rigid piping (such as copper, aluminum, stainless steel, chrome plated, or anodized tubing).

IMPORTANT NOTES:

- Failure to follow instructions will void warranty.

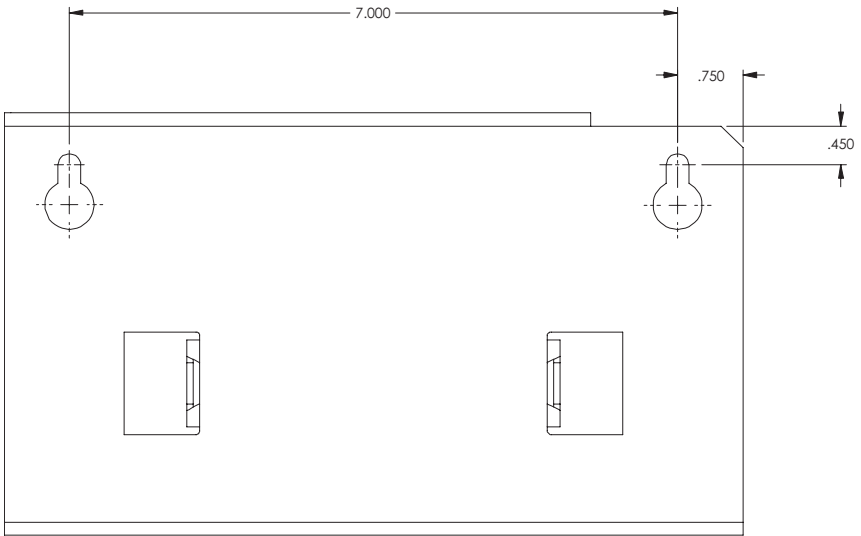
Step 1: Unpack the SGLP-RO System



Check that all of the parts listed below are included in the packaging. Should any parts be missing, please contact 3M at (866) 990-9785.

Item	Description
1	Tank and Bracket Assembly (incl. Permeate Pump)
2	ScaleGard™ PreFilter (Part # 5570613)
3	ScaleGard™ RO Membrane (Part #5598729)
4	Water Sample Valve Assembly
5	1' Length of 3/8" Tubing (not shown)
6	10' Length of Red Tubing (not shown)
7	Adapter – Stem X Barb (1/4" x 1/4")
8	Adapter – Stem X Barb (3/8" x 1/4")
9	Reducer – Stem X Quik Connect (3/8" x 1/4")
10	Filter Plug

Step 2: Mount the SGLP-RO System



- 1) Select the location to mount the SGLP-RO unit. (SGLP-RO overall dimensions: 12-1/4" W x 17-3/4" H x 9-5/16" D).
- 2) Allow clearance on each side of the system for inlet and outlet tubing connections.
- 3) Allow 3" clearance below the system for cartridge replacement.
- 4) If desired, a mounting bracket template is included in the installation manual.

NOTE: Mounting hardware (installer supplied) must be capable of supporting a minimum of 50 lbs. (22.7 kg).

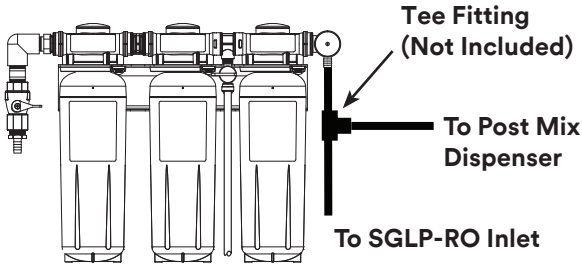
NOTE: Make sure that the bracket is securely mounted to a wall stud or other appropriate wall structure.

Step 3: Connect water supply to the SGLP-RO System

NOTE: If possible, the water supply should be tee'd off of the existing filter system. Refer to installation diagrams below.

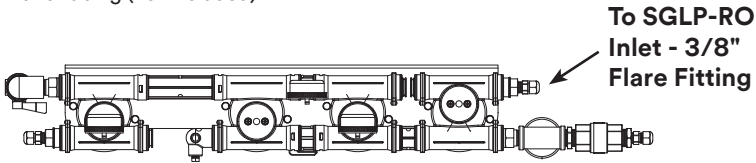
For SW3-PLUS and SW260-PLUS, follow these steps.

- 1) Close the water inlet valve on the existing beverage and ice filter system.
- 2) Run $\frac{1}{4}$ " tubing from the filter system outlet to the SGLP-RO using the appropriate fittings and tubing (not included).

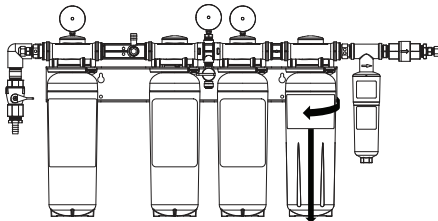


For SW4-PLUS, follow these steps.

- 1) Close the water inlet valve on the existing beverage and ice filter system.
- 2) Run $\frac{1}{4}$ " tubing from the filter system outlet to the SGLP-RO using the appropriate fittings and tubing (not included).



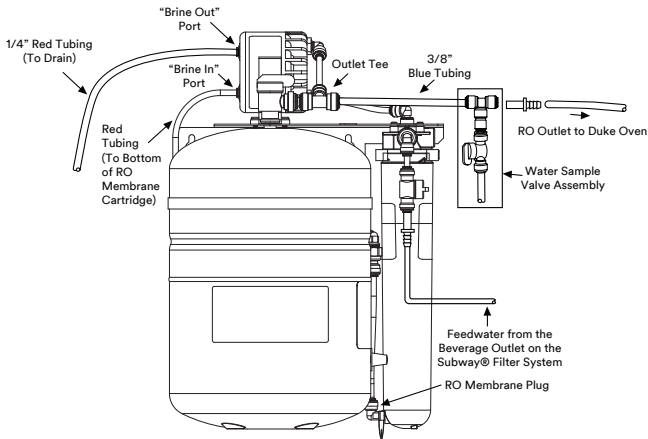
Step 4: Remove SW-IX-60 cartridge and install filter plug included with the RO system (For SW4-PLUS ONLY)



NOTE: This step is for the SW4-PLUS system only. If a SW3-PLUS or SW260-PLUS system is installed, skip to next step.

- 1) Remove the SW-IX-60 cartridge by rotating cartridge to the right and pulling down on it.
- 2) Dispose of cartridge in accordance with federal, state, and local regulations
- 3) Insert filter plug that was included with the SGLP-RO Reverse Osmosis System by inserting plug in filter head and turning to the right until plug hits stop. You should hear a click when the plug is fully inserted.

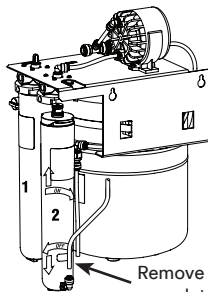
Step 5: Complete plumbing connections on SGLP-RO System



NOTE: Refer to installation diagram above.

- 1) Install installation parts onto the SGLP-RO unit and close the inlet and sample water valves.
- 2) Connect inlet water supply to the SGLP-RO system inlet using either the quick connect fitting or the supplied hose barb (if using hose).
- 3) Install drain line from permeate pump brine out port to a drain.
- 4) Run tubing from the SGLP-RO outlet to the Duke oven.

NOTE: The SGLP-RO comes with two outlet fittings to accommodate different types of tubing. One fitting is a 1/4" barb as shown in the diagram above. This fitting should be used with flexible tubing. A 3/8" stem x 1/4" quick connect fitting is also included for rigid poly tubing.

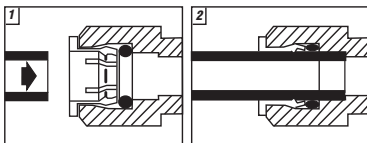


- (1) Pre-filter Sediment & Carbon
- (2) RO Membrane

Using Push-In Fittings

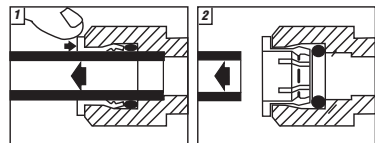
To Attach Tubing

Push tubing in as far as it will go. Tubing must be inserted past o-ring and hit backstop. Pull tube to ensure it is secured.



To Release Tubing

Push in grey collet to release tubing. With collet held, pull tubing straight out.



Step 6: Install RO PreFilter Cartridge and RO Membrane

Prefilter:

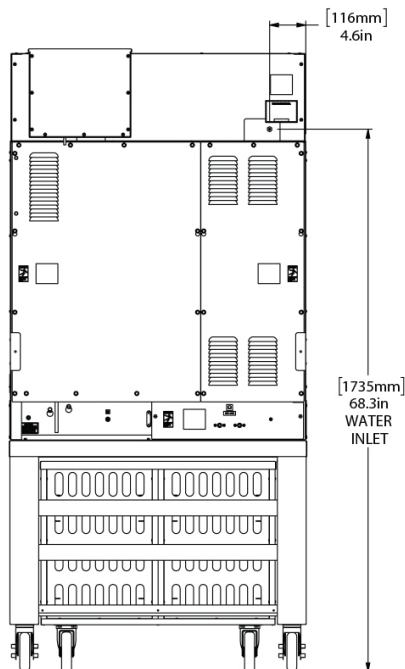
- 1) Remove red cap for RO PreFilter and moisten o-ring with water.
- 2) Insert new RO PreFilter into the filter head. Be sure that the ears on the RO PreFilter line up with the spaces in the head.
- 3) Turn the RO PreFilter ¼ turn to the right until it hits stop.

RO Membrane:

- 1) Remove red cap from the RO Membrane & moisten o-ring with water
- 2) Remove the plug from the RO Membrane drain fitting by pushing down on collet while pulling plug out.
- 3) Insert red reject tube into membrane drain fitting.
- 4) Insert RO Membrane into filter head. Be sure that the ears on the cartridge line up with the spaces in the head.
- 5) Turn the RO Membrane ¼ turn to the right until it hits stop.

Step 7: Connect SGLP-RO outlet to the Duke oven waterline bulkhead fitting

- 1) Refer to diagram above for location of water inlet connection.
- 2) Connect ¼" water line from the SGLP-RO outlet to the inlet connection on the Duke oven.



Step 8: Perform Start-Up Procedure

- 1) Check and adjust tank air pressure. Air pressure should be between 8-10 psi. Refer to installation manual if air pressure needs to be adjusted.
- 1) Check that all plumbing connections are secure.
- 2) Open the tank shut-off valve and inlet water valve.
- 3) Open shut-off valve on the beverage filter system and check for leaks.
- 4) Divert the water sample valve outlet to drain. Open valve and let water run to drain for 10 minutes.
- 5) Close water sample valve.
- 6) Allow tank to fill (approximately 60 mins).
- 7) Repeat steps 3-5.
- 8) System is now ready for use.
- 9) Refer to system manual for replacement and operating instructions

Product Selection and Use: Many factors beyond 3M's control and uniquely within user's knowledge and control can affect the use and performance of a 3M product in a particular application. As a result, customer is solely responsible for evaluating the product and determining whether it is appropriate and suitable for customer's application, including conducting a workplace hazard assessment and reviewing all applicable regulations and standards (e.g., OSHA, ANSI, etc.). Failure to properly evaluate, select, and use a 3M product and appropriate safety products, or to meet all applicable safety regulations, may result in injury, sickness, death, and/or harm to property.

Warranty, Limited Remedy, and Disclaimer: 3M warrants that this product (excluding filter cartridge or filter membrane) will be free from defects in material and manufacture for the period of one (1) year from the date of purchase. The filter cartridge or membrane is warranted to be free from defects in material and manufacture for one (1) year. No warranty is given as to the service life of any filter cartridge or membrane as it will vary with local water conditions and water consumption. 3M MAKES NO OTHER WARRANTIES OR CONDITIONS, EXPRESS OR IMPLIED, INCLUDING, BUT NOT LIMITED TO, ANY IMPLIED WARRANTY OR CONDITION OF MERCHANTABILITY, FITNESS FOR A PARTICULAR PURPOSE, OR ARISING OUT OF A COURSE OF DEALING, CUSTOM, OR USAGE OF TRADE. This warranty does not cover labor. If this 3M product does not conform to this warranty, then the sole and exclusive remedy is, at 3M's option, replacement of the 3M product or refund of the purchase price. This warranty gives you specific legal rights, and you may have other rights which may vary from state to state, or country to country. For any warranty questions, please call 866.990.9785 or mail your request to: Warranty Claims, 3M Purification Inc., 400 Research Parkway, Meriden, CT 06450. Proof of purchase (original sales receipt) must accompany the warranty claim, along with a complete description of the Product, model number and alleged defect.

Limitation of Liability: Except for the limited remedy stated above, and except to the extent prohibited by law, 3M will not be liable for any loss or damage arising from or related to the 3M product, whether direct, indirect, special, incidental, or consequential (including, but not limited to, lost profits or business opportunity), regardless of the legal or equitable theory asserted, including, but not limited to, warranty, contract, negligence, or strict liability.



System tested and certified by NSF International against Std 58 and CSA B483.1 for the reduction of claims listed on the Performance Data Sheet.

3M

3M Purification Inc.
400 Research Parkway
Meriden, CT 06540

Phone 1-866-990-9785
WW 1-203-237-5541
Fax 1-203-238-8701
Web 3Mfoodservice.com
3Mpurification.com

3M and ScaleGard are trademarks of 3M Company.
NSF is a trademark of NSF International.
All other trademarks are the property of their respective owners.
Please recycle. Printed in USA.
© 2017 3M Company. All rights reserved.
34-XXXX-XXXX-X