

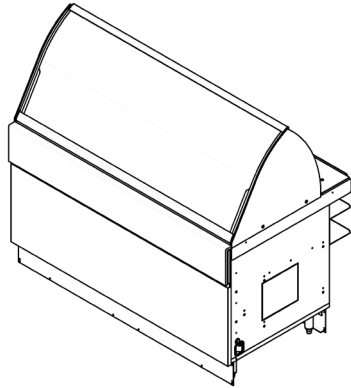


2305 N. Broadway, St. Louis, MO 63102  
 Telephone: 800-735-3853  
 Fax: 314-231-5074  
 www.dukefmg.com

## Product Description Sheet

### TRI-Channel® - with clear view daycover

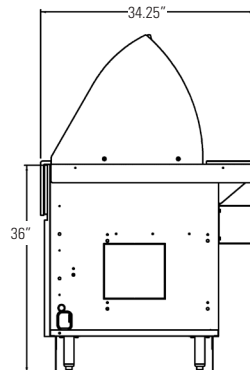
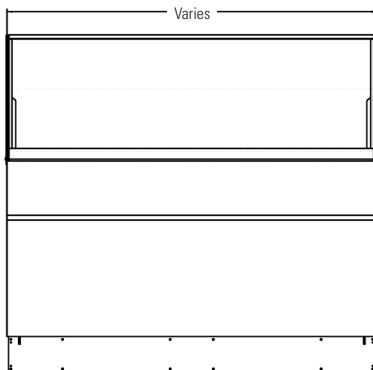
Duke Manufacturing Co., February 2017



Item #	Overall Length	Working Height	Top Depth
60320	48	36	34.25
60322	60	36	34.25
60324	74	36	34.25
60326	86	36	34.25

#### Product Features:

- Factory installed fold down clear view day cover
- LED lighting included on day cover
- Heavy gauge stainless steel top
- Three channels designed to hold 1/3, 1/6 and 1/9 size Cambro Pans; 6" deep
- Sauce bottle holder included for each channel; each unit will hold up to 4 sauce bottles
- Slide out compressor for easy maintenance
- 300 series stainless steel liners
- Insulated with environmentally friendly foam insulation and zero Ozone Depleting Potential (ODP), zero Global Warming Potential (GWP), and is Kyoto and Montreal protocol compliant
- Functionality shelving included for sub bag holder, deli wrap holder, knife holder and the board scraper holder
- (2) 8" wide cutting boards with scrap cutouts; 1/3 stainless steel pans included for each cutout
- 120v condensing unit with cord & plug
- Kickplates
- Adjustable legs



Voltage	AMPS	PH.
120 VAC (60Hz)	7.9	1
220 VAC (50Hz)	4.4	1

#### AGENCY LISTINGS:



#### Options

- N/A

NOT FOR PRODUCT SPECIFICATIONS  
 PLEASE CONTACT DUKE MANUFACTURING CO FOR ASSISTANCE: 1- 800-735-3853