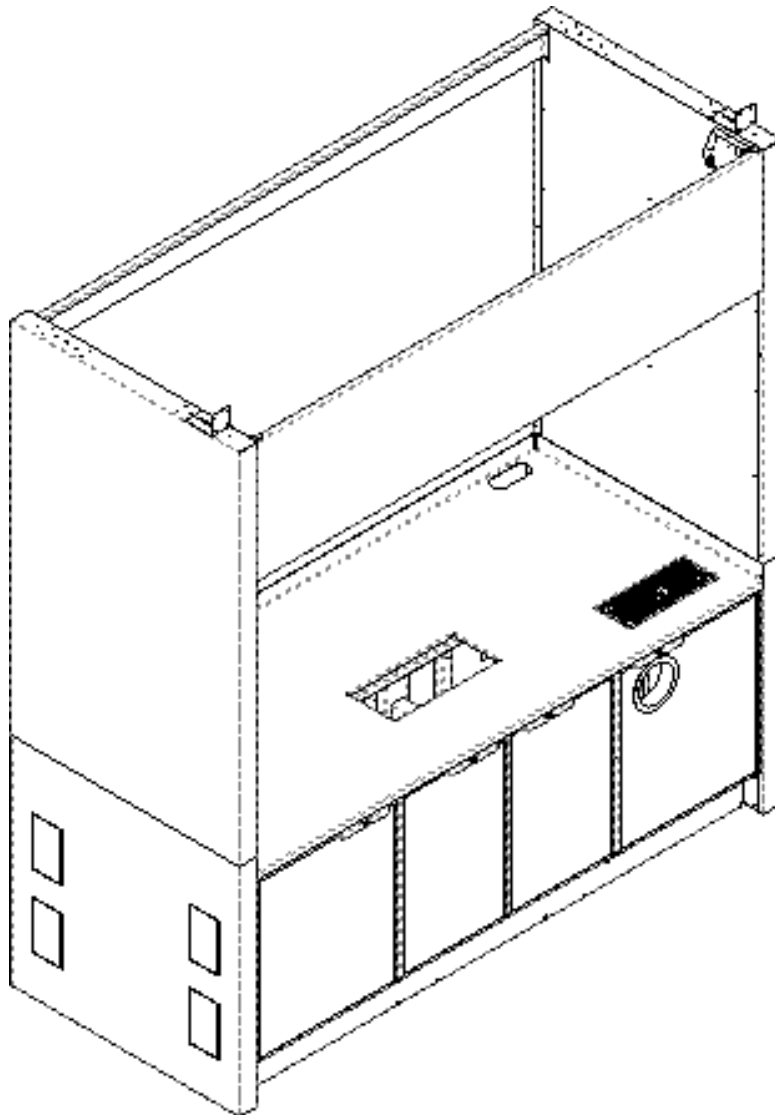




Your Solutions Partner

Installation Manual

Beverage Surround Hinged Front



CAUTION: Please read this manual completely before attempting to install, operate or service this equipment

*This manual is Copyright © 2018 Duke Manufacturing Co. All rights reserved.
Reproduction without written permission is prohibited. Duke is a registered
trademark of the Duke Manufacturing Co.*

**P/N 529060
REV B Date 12/18/2018**



TABLE OF CONTENTS

Safety Instructions	3
Tools Hardware and Parts	4
Installation Instructions	5
• Step 1 - Removal of Laminate Sides - "If Retrofit"	5
• Step 2 - Unit Alignment	5
• Step 3 - Level Side Walls	6
• Step 4 - Attach Side Panels	6
• Step 5 - Opposite Side	6
• Step 6 - Installation Rear Top Rail	6
• Step 7 - Installation of Top "L" Bracket	7
• Step 8 - Securing Side Walls to Soffit	7
• Step 9 - Tightening the Top Wall Screws	7
• Step 10 - Opening Hinges	7
• Step 11 - Attaching Front Panel to Hinges	7
• Step 12 - Closing Front Panel	8
• Step 13 - Installing Hinge Covers.....	8
• Hinge Adjustment	8



IMPORTANT SAFETY INSTRUCTIONS

Throughout this manual, you will find the following safety words and symbols that signify important safety issues with regards to operating or maintaining the equipment.



Indicates a hazardous situation which, if not avoided, could result in minor or moderate injury.

CAUTION

Indicates Important Information



Indicates electrical shock hazard which, if not avoided, could result in death or serious injury and/or equipment damage.

In addition to the warnings and cautions in this manual, use the following guidelines for safe operation of the unit.

- Read all instructions before using equipment.
- Install or locate the equipment only for its intended use as described in this manual.
- Do not use corrosive chemicals in this equipment.
- This equipment should be serviced by qualified personnel only. Contact the nearest Duke authorized service facility for adjustment or repair.
- Do not block or cover any openings on the unit.

The following warnings and cautions appear throughout this manual and should be carefully observed.

- The procedures in this manual may include the use of chemical products. You must read the Material Safety Data Sheets before using any of these products.
- Disposal of the unit must be in accordance with local environmental codes and/or any other applicable codes.
- This appliance is not intended for use by persons (including children) with reduced physical, sensory or mental capabilities, or lack of experience and knowledge, unless they have been given supervision or instruction concerning use of the appliance by a person responsible for their safety.



Your Solutions Partner

Tools, Hardware and Parts

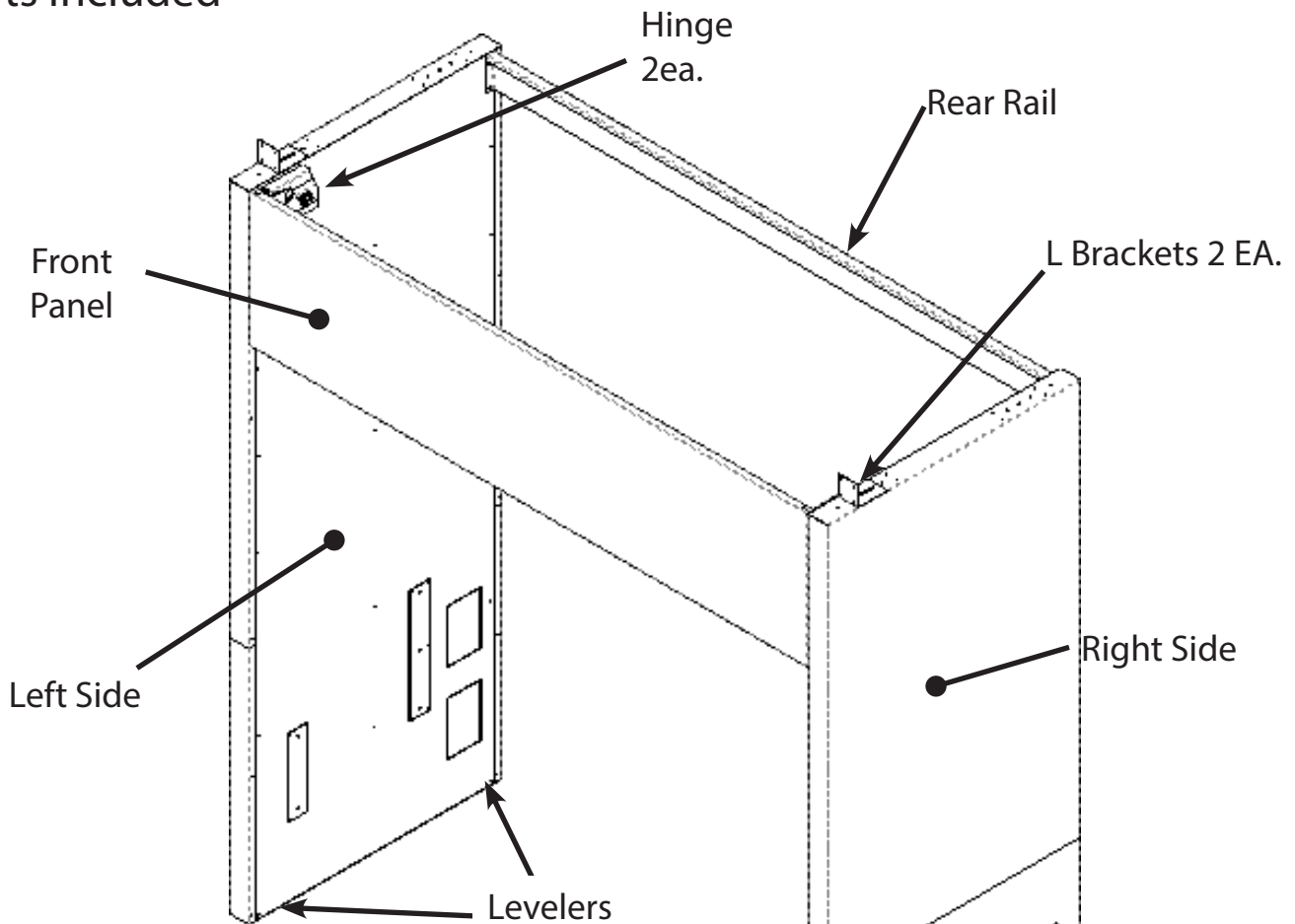
Tools Needed not included



Hardware Included

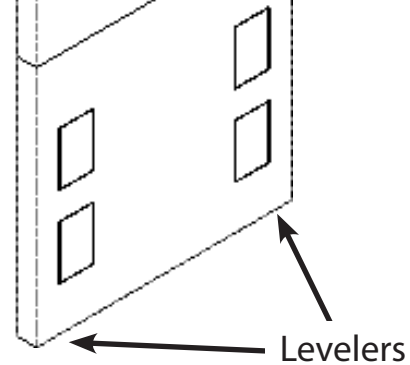


Parts Included



Parts Not Shown

Hardware and fasteners



Beverage Destination Surround Installation



Check soffit height before beginning. Soffit must be minimum of 96" From finished floor to bottom of finished soffit.



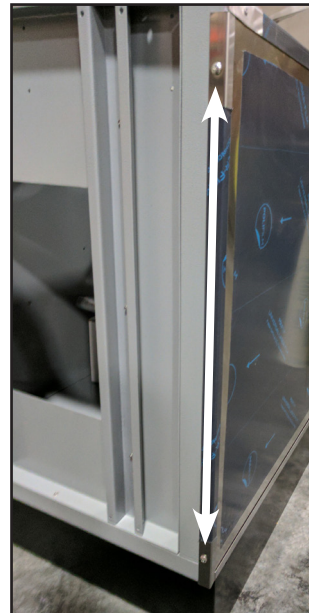
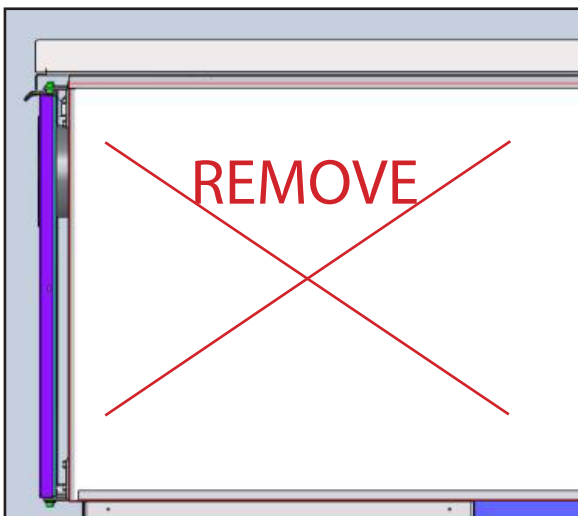
This installation to be performed with a minimum of two persons.

Step 1 - Removal of Laminate Sides - If retrofit

Remove the laminate on both ends of beverage destination counter.

- A. Remove the screws from the back trim.
- B. Remove the trim piece.
- C. Remove the laminate.
- D. Reinstall the trim piece.

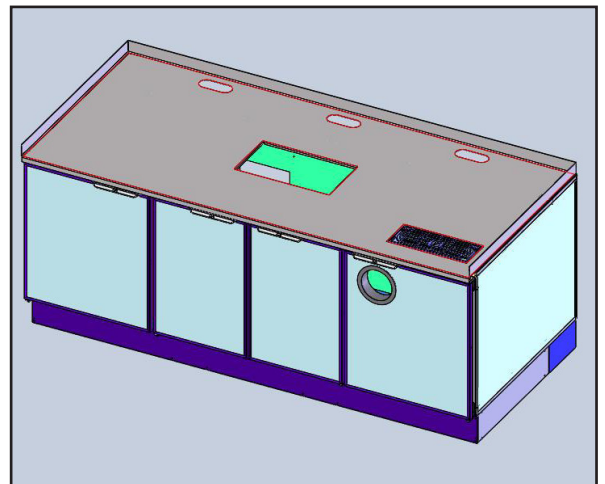
Repeat for other side.



Step 2 Unit Alignment

- Align the beverage unit with the wall where it will be installed along with the panels for the surround.

**Note: Do not push up against the wall at this time.
Make sure unit is level.**



Your Solutions Partner

Surround Installation- continued

Step 3 Level Side Walls

Using the leveling pads on the walls make sure the wall is level and up against the soffit in the front.



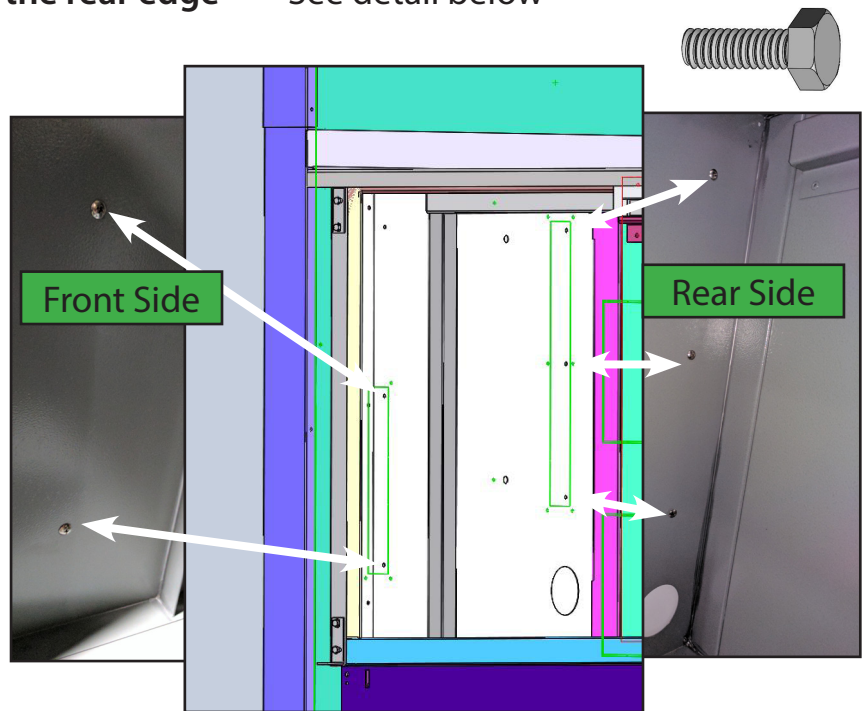
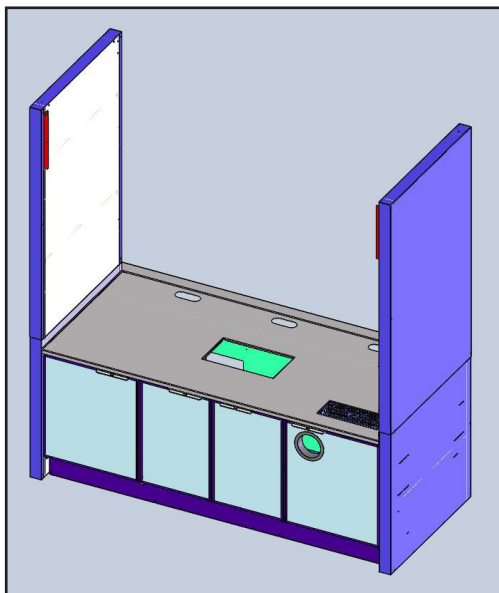
Step 4 Attach Side Panels

Line up the side of the surround with the proper side of the unit. Align the surround panel with holes on inside of beverage counter and attach from the inside using bolts provided.

(2) on the front edge

(3) on the rear edge

See detail below



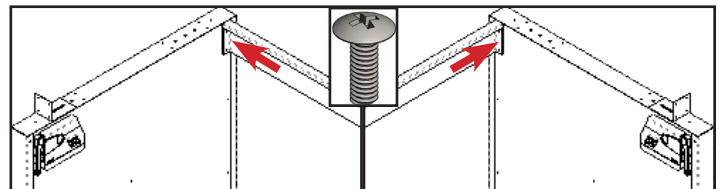
Step 5 Opposite Side

Repeat steps 3 and 4 for opposite side.

NOTE: In some stores the beverage surround may be longer than the counter. Complete step 3 and then move to step 7.

Step 6 Installation Top Rear Rail

Install the back rail to the surround. Using two (2) screws at each end of the rail.

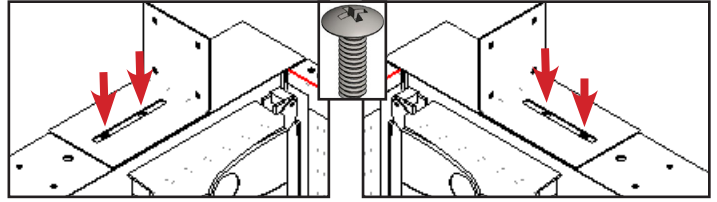


Surround Installation- continued

Step 7 Installation of "L" Brackets

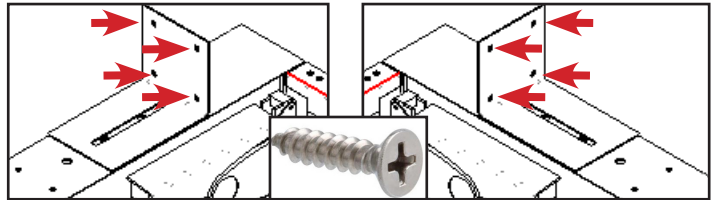
Install the two "L" brackets on the top of the wall using 2 screws.

NOTE: Do not tighten.



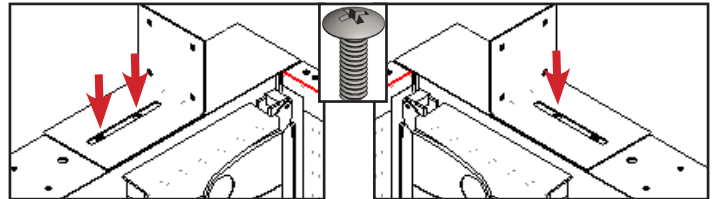
Step 8 Securing Side walls to Soffit

Slide "L" bracket up to back of soffit. Using four (4) Wood Screws secure to soffit.



Step 9 Tighten the Top Wall Screws

NOTE: Make sure front of surround panel is flush with Soffit,
Tighten the two (2) Screws on the top of the wall panel.

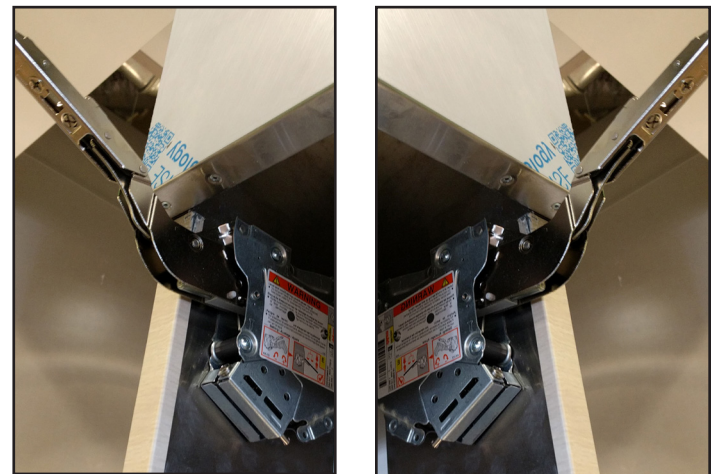


Step 10 Opening Hinges

Carefully pull arms of hinges out from main hinge body.

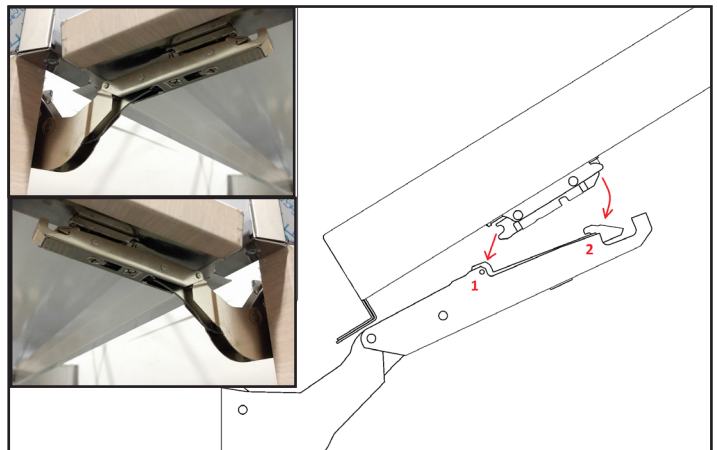
CAUTION

The arms are spring loaded and will snap out to the extended position quickly.



Step 11 Attaching Front Panel

Attach front panel assembly by clipping attached brackets into the arms of the hinge mechanism attached to each end panel.



Surround Installation- continued

Step 12 Closing Front Panel

Slowly pull down on lower panels to close valance.

Step 13 Installing Hinge Covers

Replace Hinge covers if not installed.



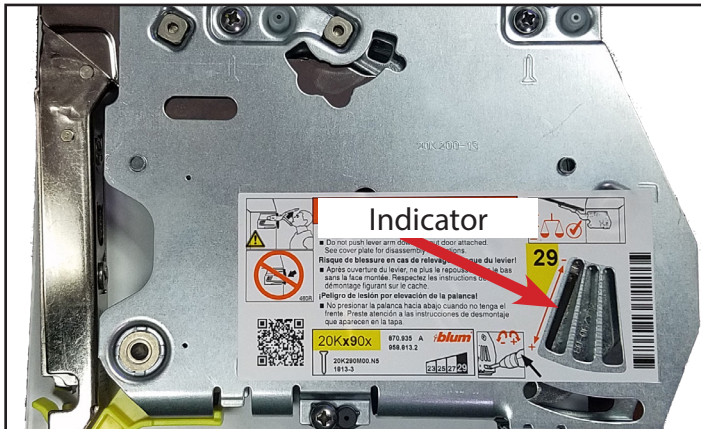
HINGE ADJUSTMENT

Step 1

Open valance fully.

Step 2

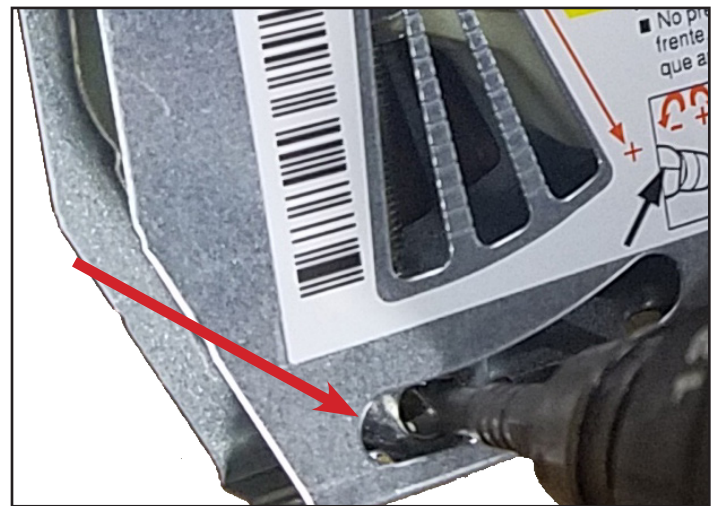
Remove covers if needed. Inspect force indicator on both the left and right lift hinges. The indicator on both hinges should be roughly identical. Longer versions of the valance will require the force indicator to be set to maximum.



Step 3

To increase or decrease the lifting force of the hinge mechanism, insert a Phillips bit driver in an electric drill and rotate adjustment screw.

Turn screw clockwise to increase force, and counter clockwise to decrease force.



Your Solutions Partner

Duke Manufacturing Co.

2305 N. Broadway
St. Louis, MO 63102

Phone: 314-231-1130

Toll Free: 1-800-735-3853

Fax: 314-231-5074

www.dukemfg.com