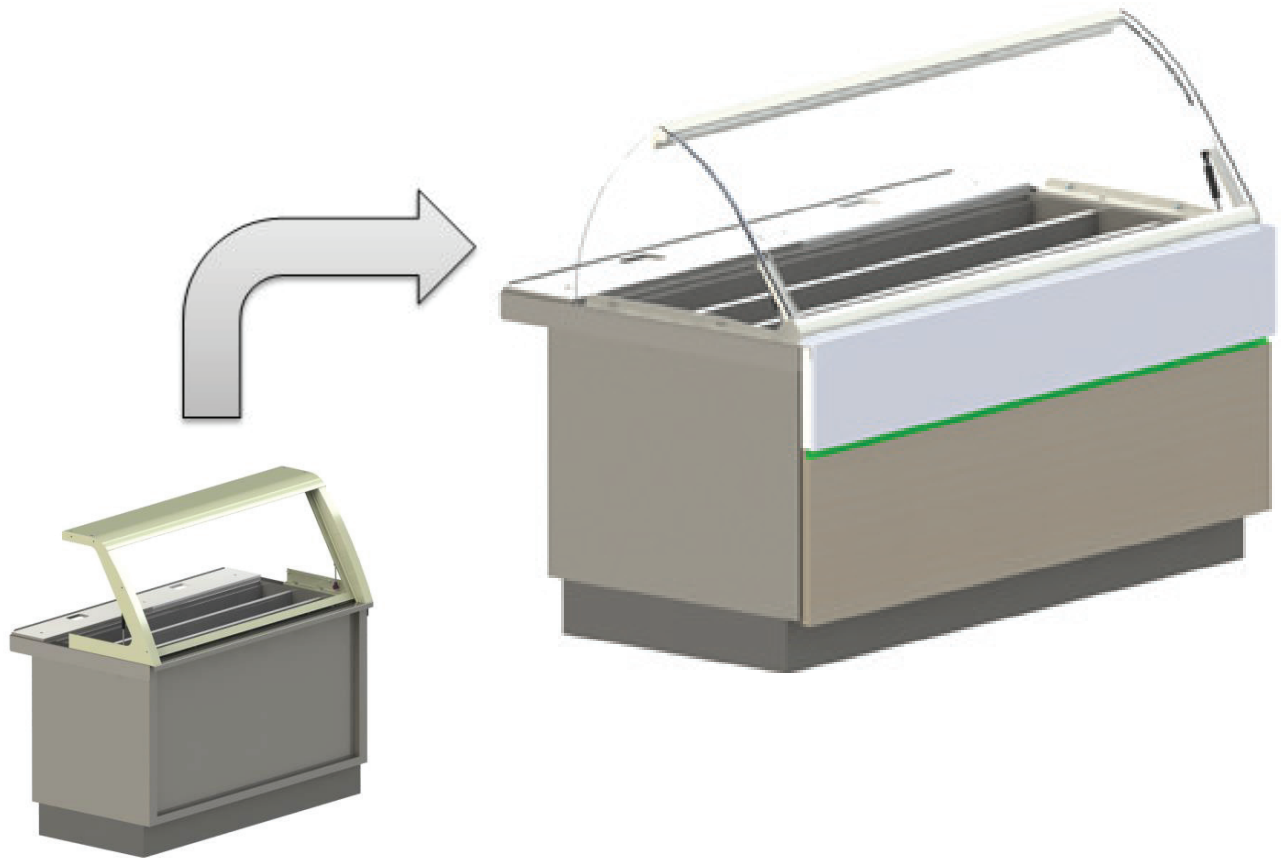




Your Solutions Partner

# Retrofit Instructions

## CLEARVIEW DAY COVER



**CAUTION:** Please read this manual completely before attempting to install, operate or service this equipment

*This manual is Copyright © 2019 Duke Manufacturing Co. All rights reserved.  
Reproduction without written permission is prohibited. Duke is a registered  
trademark of the Duke Manufacturing Co.*

**P/N 229303  
REV G Date 2/26/2019**



# TABLE OF CONTENTS

Safety Instructions .....2-3

Tools, Parts & Hardware..... 4

A. Removal of Old Panels - If Retro Fit..... 5

**Removal of Old Day Cover** .....

    B. Removal of 700 Series Day Cover - cold pan ..... 5

    C. Removal of 700 Series Day Cover - Hot Food ..... 6

    D. Removal of 600 Series Day Cover - Stainless Steel ..... 7

E. Base Preparation - New Clearview Day Cover ..... 8

F. Installation Clearview Day Cover..... 9

G. Installation and Adjustment of End Glass - Adjacent units..... 10

H. Installation and Adjustment of End Glass - End of lineup..... 11

I. Adjustment Front Glass..... 12

J. Overview and Technical Specifications ..... 13

K. Installation Power Supply ..... 14

L. Wiring Diagrams..... 14

M. Lineup Wiring..... 15

## IMPORTANT SAFETY INSTRUCTIONS

Throughout this manual, you will find the following safety words and symbols that signify important safety issues with regards to operating or maintaining the equipment.



Indicates a hazardous situation which, if not avoided, could result in death or serious injury.



Indicates a hazardous situation which, if not avoided, could result in minor or moderate injury.



Indicates Important Information



Indicates electrical shock hazard which, if not avoided, could result in death or serious injury and/or equipment damage.



Indicates hot surface which, if not avoided, could result in minor or moderate injury.

**In addition to the warnings and cautions in this manual, use the following guidelines for safe operation of the unit.**

- Read all instructions before using equipment.
- For your safety, the equipment is furnished with a properly grounded cord connector. Do not attempt to remove or disconnect the grounded connector.
- Install or locate the equipment only for its intended use as described in this manual.
- Do not use corrosive chemicals in this equipment.
- Do not operate this equipment if it has a damaged cord or plug, if it is not working properly, or if it has been damaged or dropped.
- This equipment should be serviced by qualified personnel only. Contact the nearest Duke authorized service facility for adjustment or repair.
- Do not block or cover any openings on the unit.
- Do not immerse cord or plug in water.
- Keep cord away from heated surfaces.
- Do not allow cord to hang over edge of table or counter.

**The following warnings and cautions appear throughout this manual and should be carefully observed.**

- Turn the unit off, and disconnect the power source.
- The procedures in this manual may include the use of chemical products. You must read the Material Safety Data Sheets before using any of these products.
- The unit should be grounded according to local electrical codes to prevent the possibility of electrical shock. It requires a grounded receptacle with dedicated electrical lines, protected by fuses or circuit breaker of the proper rating, in accordance with all applicable regulations.
- Disposal of the unit must be in accordance with local environmental codes and/or any other applicable codes.
- This appliance is not intended for use by persons (including children) with reduced physical, sensory or mental capabilities, or lack of experience and knowledge, unless they have been given supervision or instruction concerning use of the appliance by a person responsible for their safety.
- Children should be supervised to ensure that they do not play with the appliance.
- Do not store explosive substances such as aerosol cans with a flammable propellant inside the appliance.

# TOOLS, PARTS & HARDWARE

## TOOLS REQUIRED (NOT INCLUDED):



Phillips Screw Driver



7/16" Wrench



13mm Wrench



3/32 Allen Wrench



Adjustable Pliers



Center Punch



1-3/4" Hole Saw



Cordless Drill



Wire Cutters/Strippers

## PARTS AND HARDWARE INCLUDED:

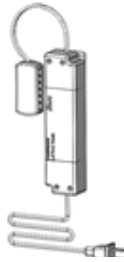
Main Day Cover - Not Shown



226115  
End Glass 1ea.



225035  
Gaskets 2ea.



524414 (120V)  
524417 (240V)  
Power Supply



216576 Silicone  
Sealant 1ea.



212105  
Bushing 1ea.



2501061  
Stainless  
Washer 4ea.



223424 Hex  
Head Bolt 4ea.



523030 Bolt  
1/4-20 X 1" 2ea.



223108 Bolt  
1/4-20X3/4" 2ea.



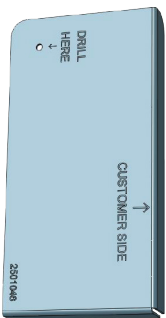
223398 Plastic  
Washer 4ea.



524100 Plastic  
Spacer 4ea.



223390 Cap  
Nut 1/4-20 4ea.



2501046 Locating  
Gauge 1ea.



522021 (120V)  
522023 (240V)  
Female Wire  
Connector



214236 1-3/4"  
Grommet 1ea.



212047 1/2"  
Heco Bushing 2ea.



Drill Bits

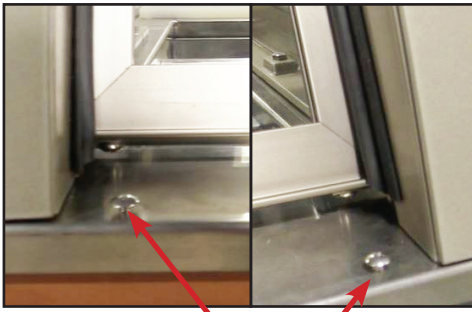


2501693 Plastic  
Wrench 1ea.

## A. Removal of Old Decor Panels - If Retro Fit

**NOTE:** If this is not a retrofit move on to next section "Notching Hot Food Unit"

**CAUTION** Damage/Injury could result if two persons are not used for this Installation.



1. Remove two screws at each end of the unit.



2. Lift Decor panel up and pull out bottom.

**Note:** Make sure to unplug the front light cord.

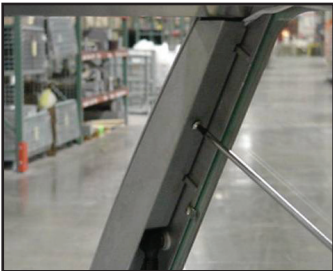
## REMOVAL - OLD DAY COVER

### B. Removal of 700-SERIES DAY COVER (cold pan)

**WARNING** Turn off the unit and disconnect main power source before servicing. This equipment should be serviced by qualified personnel only.

**TOOLS REQUIRED:** Phillips Screw Driver, Wire Cutters/Strippers

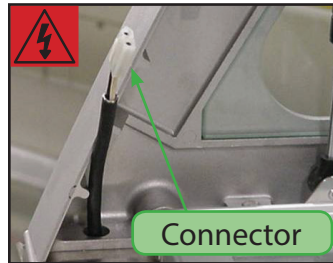
**PARTS REQUIRED:** Female wire connector



1) Remove screws from the front filler on the side that has the light wires.



2) Remove front filler to expose wiring.



3) Remove plastic connector by cutting the wires just below the connector.



4) Remove pylon bolts that hold day cover to top of base unit.



**CAUTION**  
**: Two-person operation.**

5) Ensure the front glass is locked in the "UP" position. Carefully remove day cover from base unit.



6) Pull electrical wire down into cabinet body.



7) Install female wire connector onto the wire harness.

**Note:** Connector may not be exact match to picture based on requirements of local codes.

8) Refer to section **LINEUP WIRE ROUTING** section for wire routing diagram.



## REMOVAL - OLD DAY COVER - continued

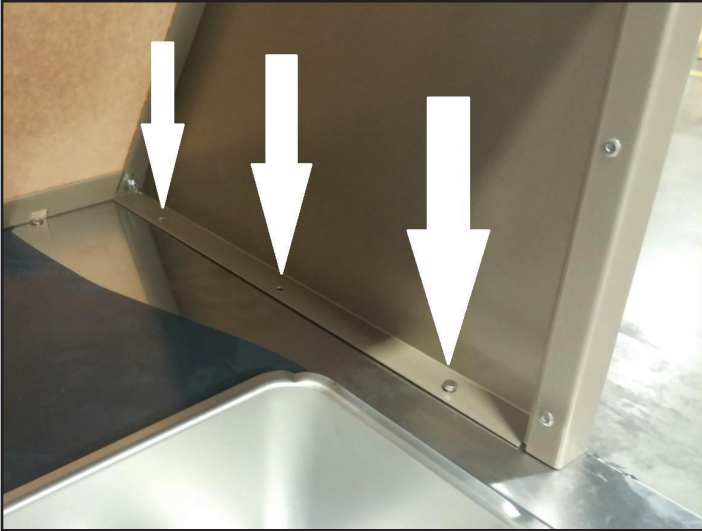
### C. Removal of 700-SERIES DAY COVER (hot food)



**Turn off the unit and disconnect main power source before servicing.**  
This equipment should be serviced by qualified personnel only.

**TOOLS REQUIRED: Phillips Screw Driver, Wire Cutters/Strippers, 5/16" Hex Socket**

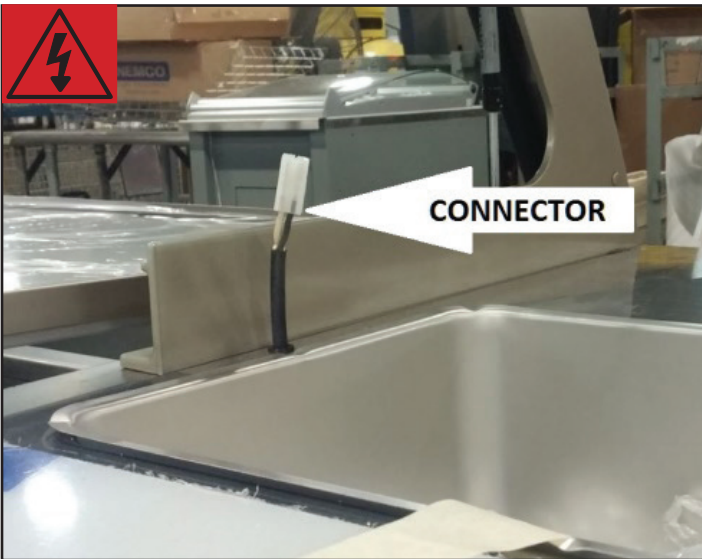
**PARTS REQUIRED: Female wire connector**



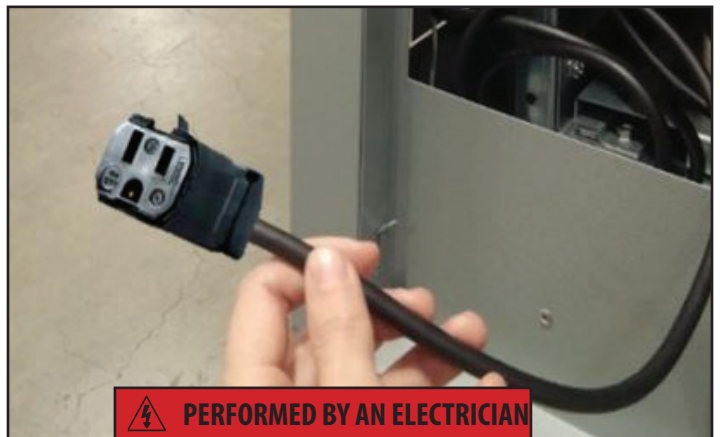
1) Use 5/16" hex socket to remove the 3 bolts from each End Pylon that secure Day Guard to Unit.



2) Lift Day Cover enough to expose Electrical Wiring Harness. Disconnect Wiring Harness. Remove Day Cover off Unit and set aside.



3) Remove plastic connector by cutting the wires below the connector.



4) Install female wire connector onto the wire harness.

5) Refer to section **LINEUP WIRE ROUTING** section for wire routing diagram.

# REMOVAL - OLD DAY COVER - continued

## D. Removal of 600-SERIES DAY COVER (Stainless Steel Day Cover)



**Turn off the unit and disconnect main power source before servicing.**  
**This equipment should be serviced by qualified personnel only.**

**TOOLS REQUIRED: Phillips Screw Driver, Wire Cutters/Strippers**

**PARTS REQUIRED: Female wire connector**



1) Remove the 3 bolts from each End Pylon that secure Day Guard to Unit.

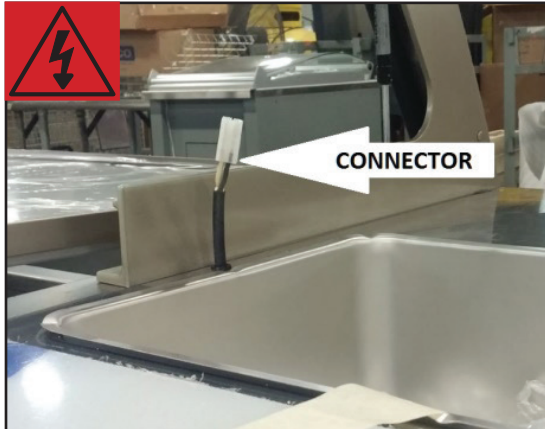


2) Lift Day Cover enough to expose Electrical Wiring Harness. Disconnect Wiring Harness.



**CAUTION: Two-person operation.**

3) Remove Day Cover off Unit and set aside.



4) Remove plastic connector by cutting the wires below the connector.



5) Install female wire connector onto the wire harness.

6) For Clearview day cover installation steps, refer to section

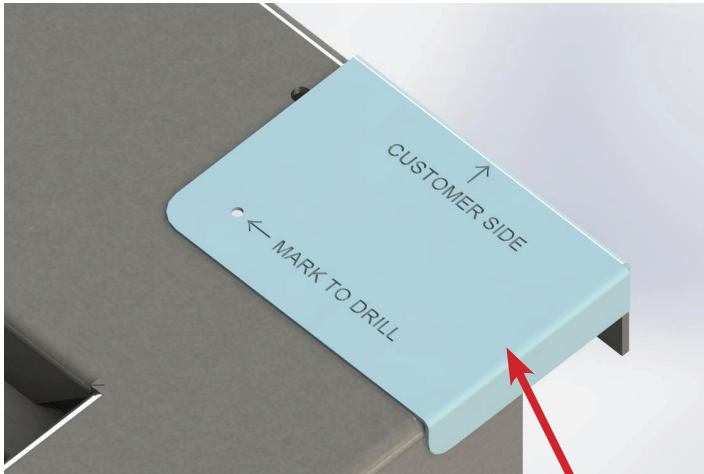
**RETROFIT: PREPARE BASE UNIT FOR CLEARVIEW DAY COVER INSTALLATION**

# INSTALLATION

## E. Base Preparation - New Clearview Day Cover

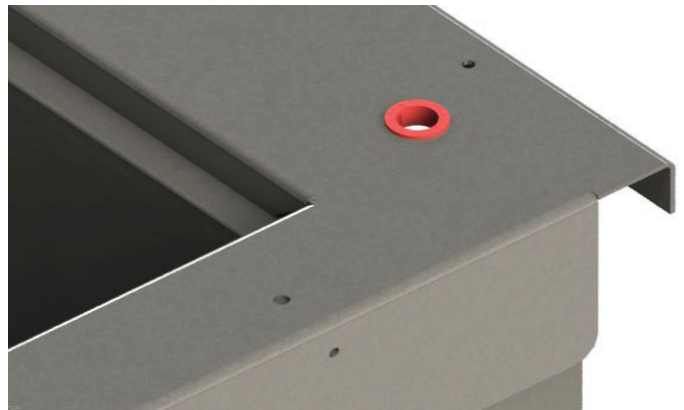
**TOOLS REQUIRED:** Drill, Center Punch, Drill Bits -(provided)

**PARTS REQUIRED:** (1) Locating fixture, (1) 1/8" Drill Bit, (1) 1/2" Drill Bit,  
(1) Grommet, (1) Bushing



1) Remove existing wire grommet from the top. Measure and mark new location of the wiring hole. Use locating fixture provided with the kit

2) Use center punch to make a small dimple in the location of the hole.



3) Drill "starter hole" using the smaller drill bit. Use the 1/2" bit to drill the final wire hole.

4) Install Anti-Short Bushing (provided with the kit) into the wire hole.

5) For wire routing and hole locations, refer to section **LINEUP WIRE ROUTING**. Plastic grommets are provided with the kit.

6) For Clearview day cover installation instructions, refer to section **INSTALLATION** .



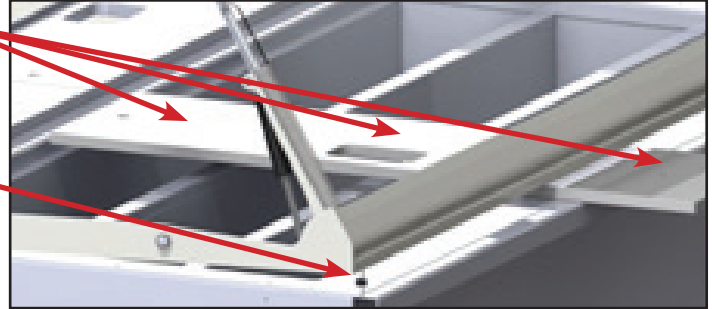
# INSTALLATION - continued

## F. INSTALLATION CLEARVIEW DAY COVER

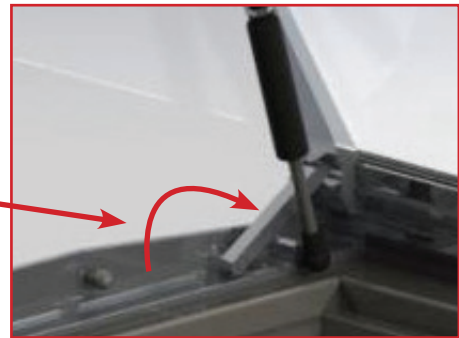
### TOOLS REQUIRED: 7/16 wrench

1. Place **Cutting Board** across the top of the unit as shown.

2. Install **Bushing** provided into wire hole on top.



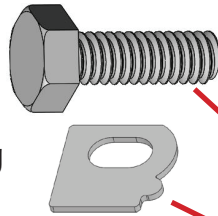
3. Place day cover on base unit, on top of the board to support day cover and avoid pinching wire while installing the unit.



**CAUTION** This should be carried out by two people to avoid injury.

4. Open day cover and flip the locks into position on both sides.

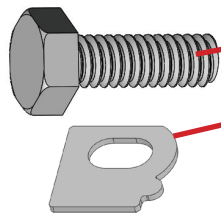
5. Hand-start two Hex head bolts with Stainless Steel Washers on operators side to prevent day cover from moving side to side.



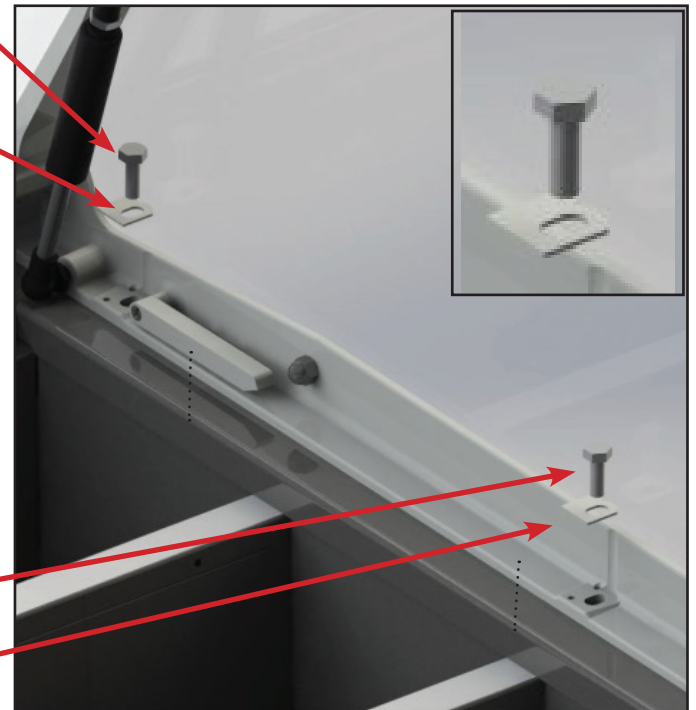
6. Carefully pull the LED power cord through the bushing. Avoid twisting and pinching the wire.

7. Slightly lift the day cover to remove the cutting board and lower the day cover onto the unit. Take care not to pinch the wire while lowering the day cover.

8. Install two remaining hex head bolts and washers on customers side.



**NOTE: Do not tighten bolts at this time.**



## G. INSTALLATION AND ADJUSTMENT OF END GLASS (adjacent units)

**NOTE:** When two cold pans are installed side-by-side, the day covers should be bolted together with only **ONE** end glass pane in between.

**TOOLS REQUIRED:** Phillips screw driver, 3/32 allen wrench, 7/16 wrench



1. After two base units are bolted together and leveled, place **PLASTIC SPACER** in **END GLASS** and install **END GLASS** between two **GASKETS** and **MOUNTING ANGLES**. Align the mounting holes.

**Note:** Glass must be bolted tight without gaps and centered between the two day covers. Loosen Hex bolts if needed.

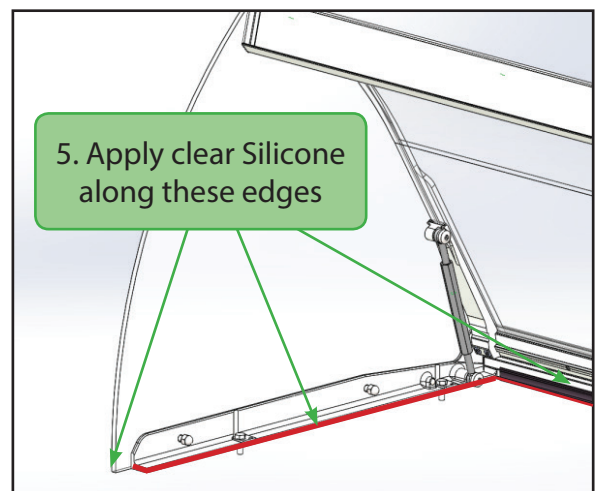
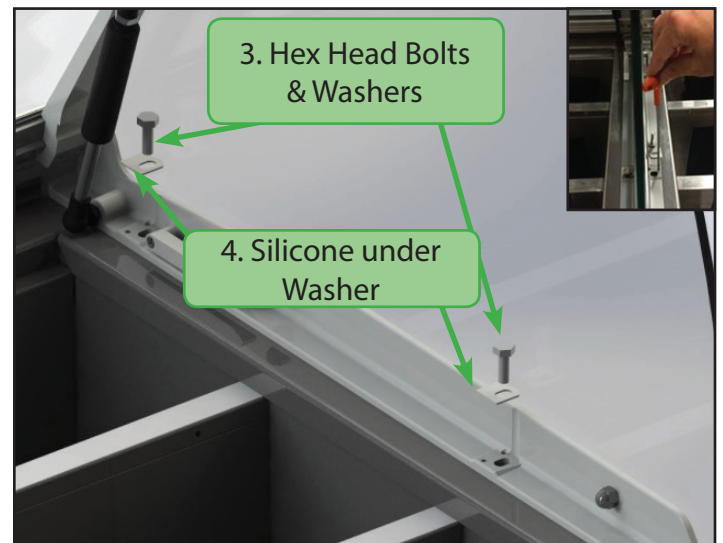
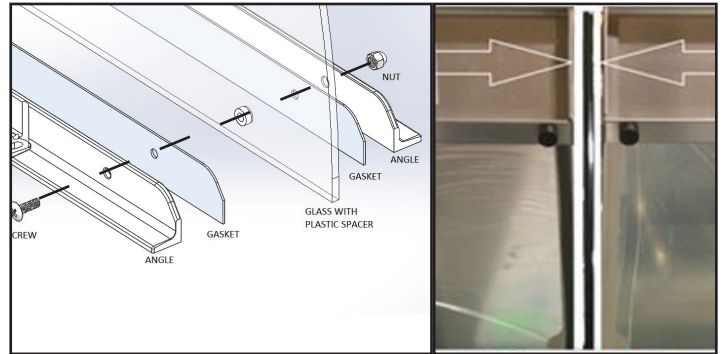
2. Use **1/4-20 x 1" BOLT** and **1/4-20 CAP NUT** provided in kit to fasten end glass to the angle (2 places).

3. Tighten 4 hex bolts (2) on each side.

4. Apply a bead of silicone on bottom of stainless steel washers.

5. Apply a bead of clear silicone along bottom edge of the day cover as shown in diagram at right.

6. Repeat steps 1 through 6 for all adjacent units of the lineup.

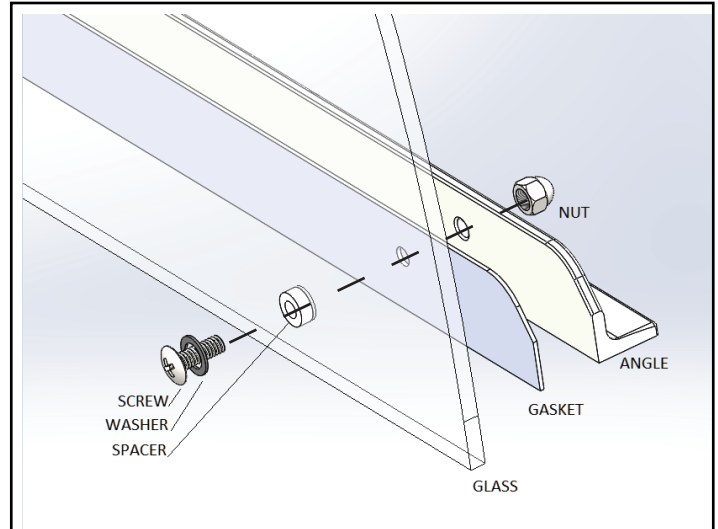


## H. INSTALLATION AND ADJUSTMENT OF END GLASS (end of lineup)

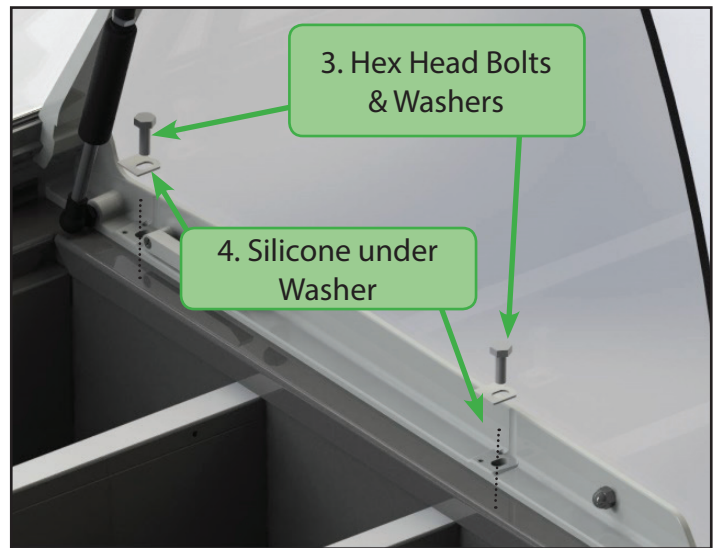
**TOOLS REQUIRED:** Phillips screw driver, 3/32 allen wrench, 7/16 wrench



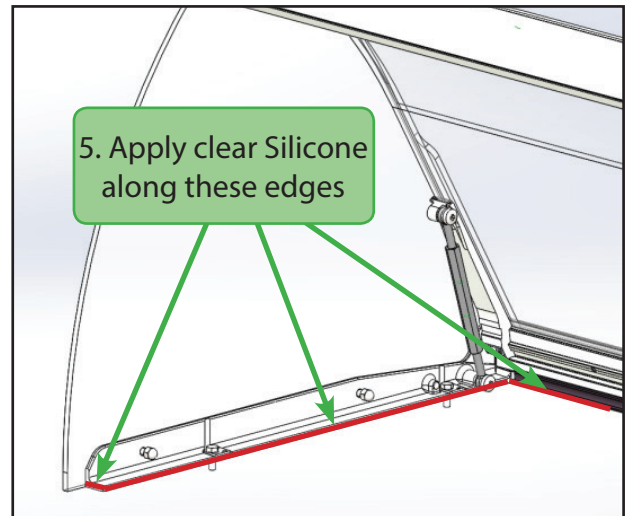
1. After the base units are installed and leveled, place **PLASTIC SPACER** in **END GLASS** on the outside of the **GASKET** and **MOUNTING ANGLE** and align the holes.
2. Use **1/4-20 x 3/4" BOLT** and **1/4-20 CAP NUT** provided in kit to fasten end glass to the angle (2 places).



3. Tighten 4 hex bolts (2) on each side.
4. Apply a bead of silicone on bottom of stainless steel washers.



5. Apply a bead of clear silicone along bottom edge of the day cover as shown in diagram at right.



## I. ADJUSTING FRONT GLASS

**TOOLS REQUIRED:** Adjustable pliers, 13mm wrench

### a.) FIXED DAY COVER - Turnbuckle

1. If present, start alignment with a **FIXED** day cover. If necessary, rotate the turnbuckle left or right to achieve proper angular position of glass.

**CAUTION** Do not to scratch paint (use the plastic wrench included in kit).



**NOTE:** Use end glass as a guide for adjusting front glass. When adjusted correctly, the curve of the front glass is parallel to the edge of the end glass, at approximately 60° to top

### b.) FOLD-DOWN DAY COVER - Gas Shock

1. Cut the wire ties holding the gas shocks in place during shipment.

2. In the **FOLD-DOWN** day covers, loosen the **ADJUSTMENT NUT** of the gas ram using 13mm crescent wrench

**Note:** If the gas shock needs to be removed use a small screw driver to remove the clip at the end of the Shock.

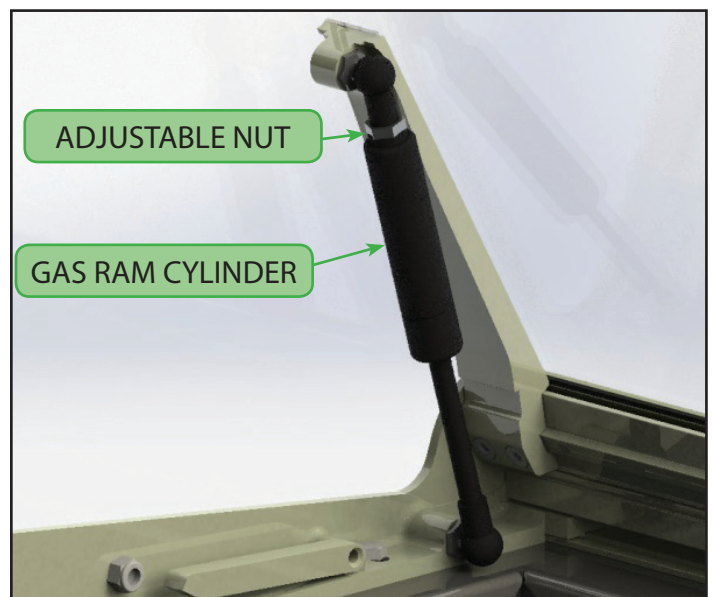
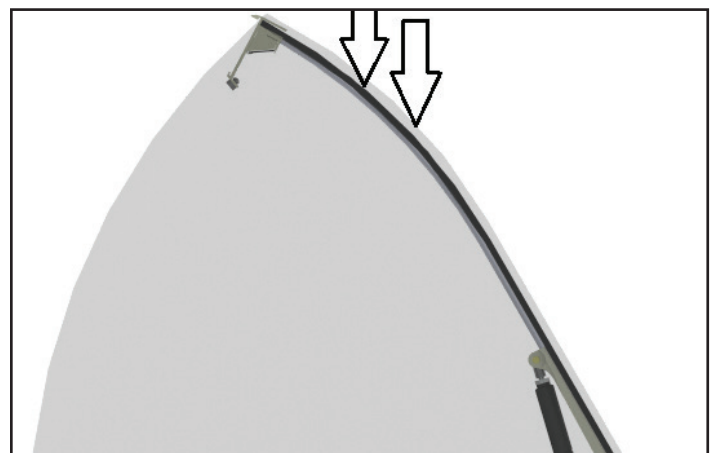
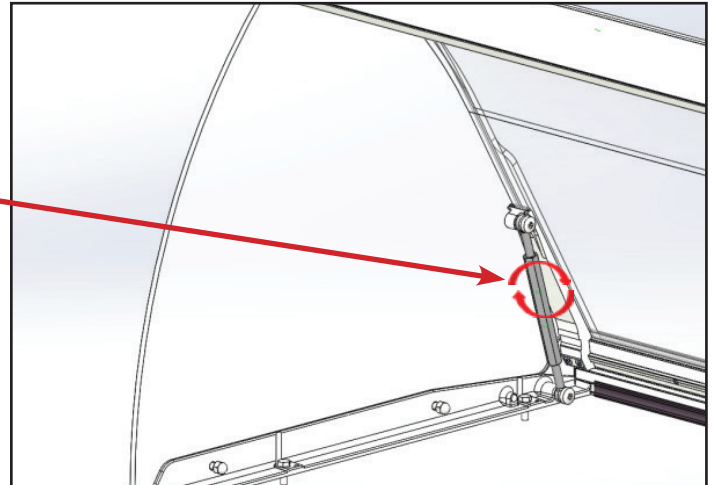


3. Using adjustable pliers, turn the **CYLINDER** of the gas ram to adjust the front glass to desired angle or until it is lined up with the adjacent unit.

**CAUTION** Do not to scratch paint (use a cloth or similar liner to wrap around the cylinder).

4. Tighten the adjustment nut against end fitting.

5. Repeat for the second gas ram.





## J. OVERVIEW AND TECHNICAL SPECIFICATIONS

Clearview day cover is designed to be installed on Subway food holding equipment. Both drop-down and fixed models include LED lights. Drop-down models incorporate automatic light switching to switch the lights on when the cover is opened and off when the cover is lowered down.

Supplier name: Duke Manufacturing Co.  
 2305 North Broadway  
 St. Louis, MO 63102 USA

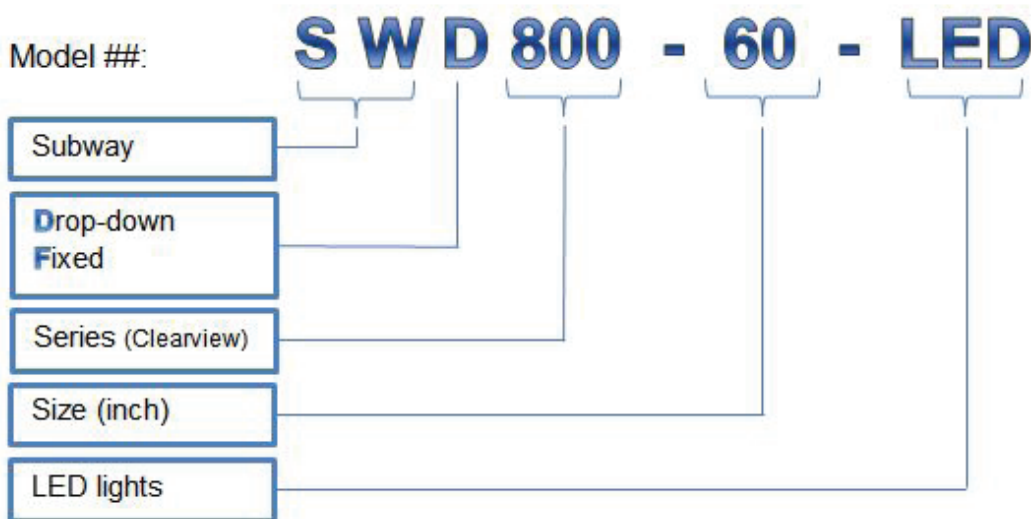
Serial #: \_\_\_\_\_  
 Date received: \_\_\_\_\_  
 Toll-free telephone: **1-800-735-3853**  
 Fax: 1-314-231-5074  
 Service referral #: \_\_\_\_\_  
 Local service name: \_\_\_\_\_



### General specifications:

Height: 20 7/8"  
 Width: 24 5/8"  
 Standard Lengths: 18", 25", 31" (fixed)  
 36", 48", 60", 74", 86" (drop-down)

POWER SUPPLY ELECTRICAL RATINGS:		
100-120VAC	INPUT:	50/60 Hz, 0.36a, I: 0.95
	OUTPUT:	24VDC, Max. 1.25A, Max. 30W
220-240VAC	INPUT:	50-60 Hz, I: 0.95
	OUTPUT:	24VDC, Max. 1.25A, Max. 30W

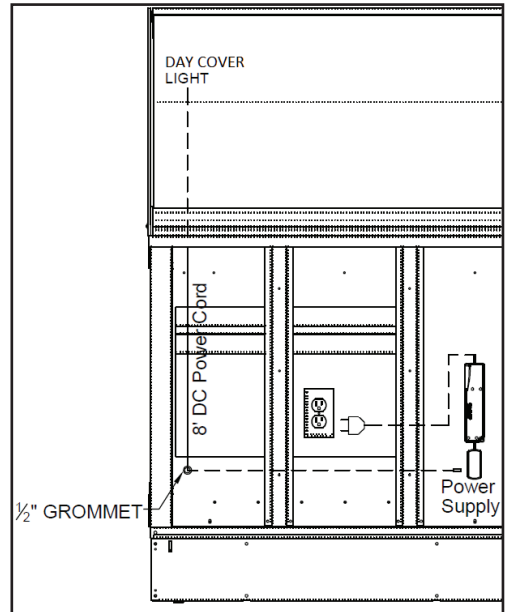


## K. INSTALLATION POWER SUPPLY

**TOOLS REQUIRED:** Double sided tape - not included

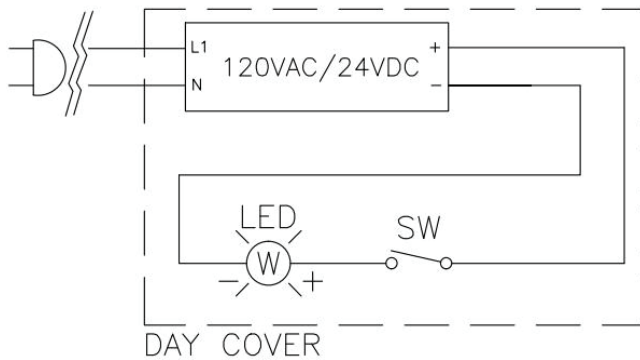
**PARTS REQUIRED:** Power Supply

1. Pull LED power cord through plastic grommet in the back panel
2. Determine optimal location for Power Supply based on the lineup and the reach of the cord. See section **LINEUP WIRING** (page 12) for more details on lineup wire routing.
3. Install Power Supply using double-sided tape.  
**TIP:** For solid adhesion, clean the surface with alcohol before installing the power supply.
4. Plug LED power cord into the power supply block.

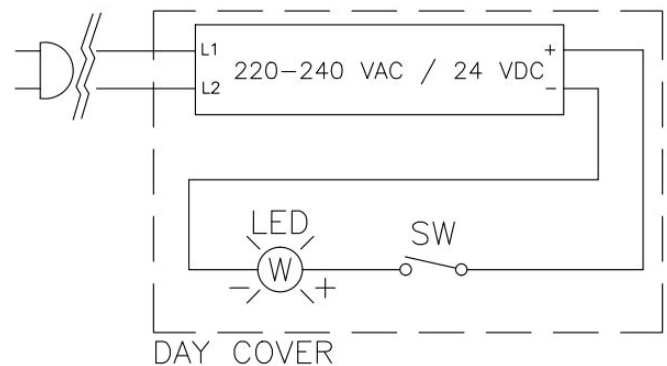


## L. WIRING DIAGRAMS

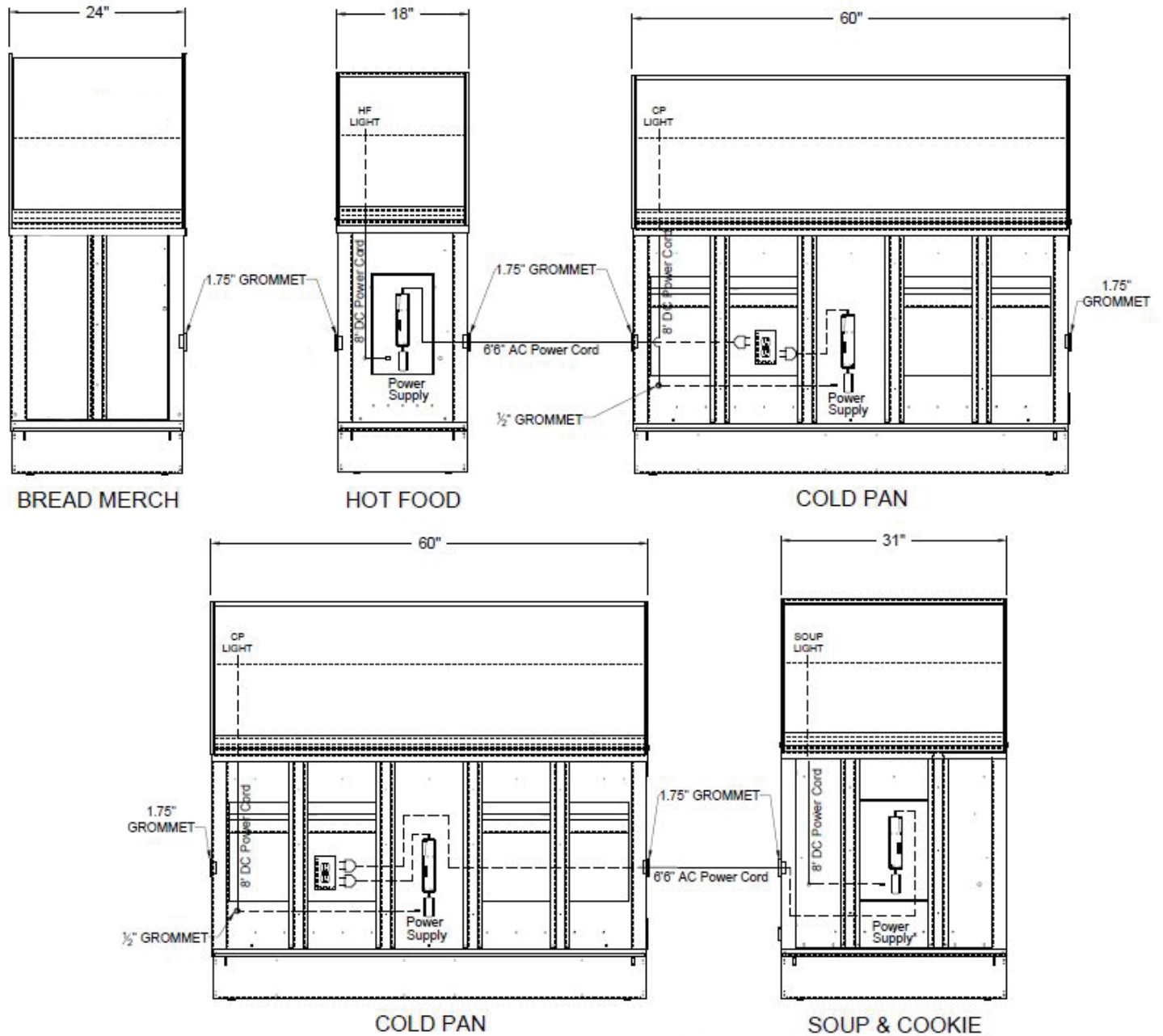
**120 Volt:**



**220-240 Volt:**



# M. LINEUP WIRING ROUTING

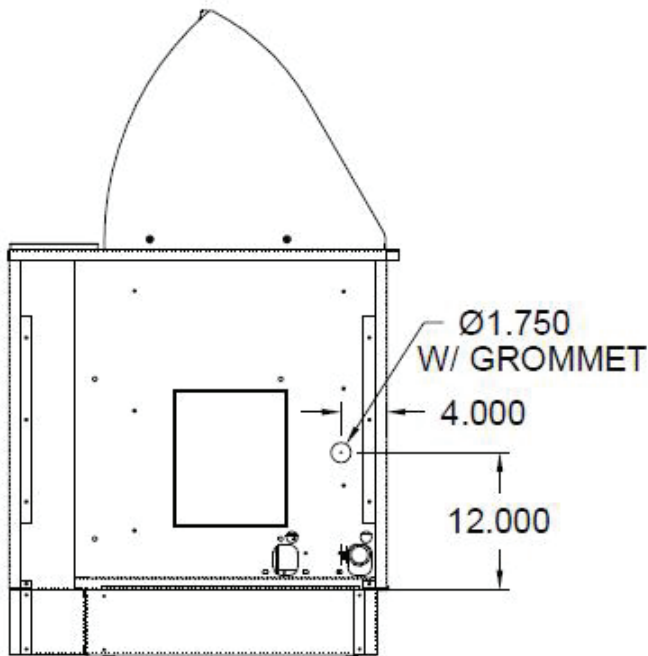


VIEW FROM CUSTOMER SIDE  
REF. DWG 2501640

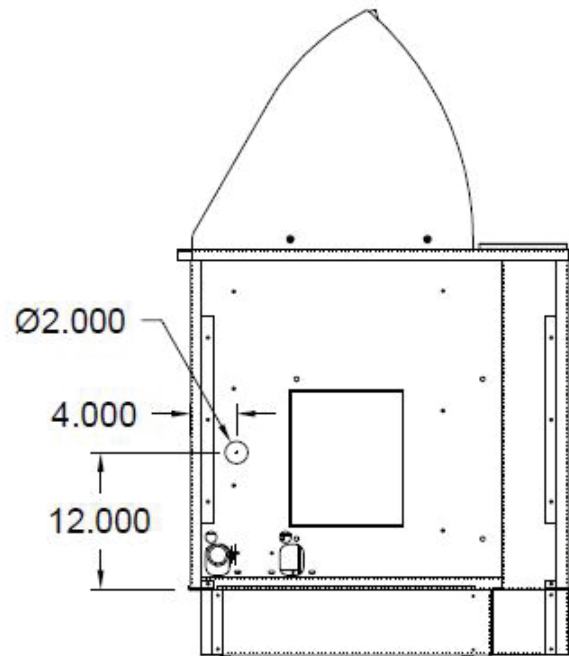
\* Soup & Cookie power supply must ship loose. The power supply may be installed in the base of the adjacent unit if the day cover AC power cord does not reach the outlet. This applies to lineups with cold pan units > 60".

# M. LINEUP WIRING ROUTING - continued

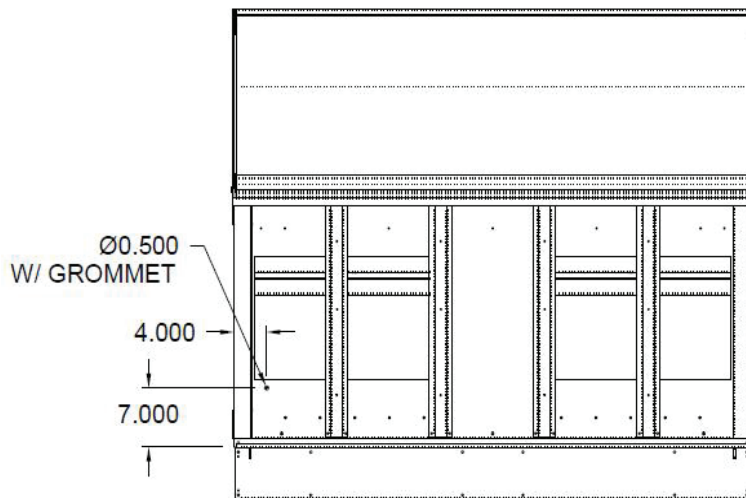
Ref. DWG 2501639



**HOT FOOD**  
RIGHT SIDE VIEW



**HOT FOOD**  
LEFT SIDE VIEW



**COLD PAN**  
CUSTOMER SIDE VIEW



Your Solutions Partner

**Duke Manufacturing Co.**  
2305 N. Broadway  
St. Louis, MO 63102

Phone: 314-231-1130  
Toll Free: 1-800-735-3853  
Fax: 314-231-5074

[www.dukemfg.com](http://www.dukemfg.com)