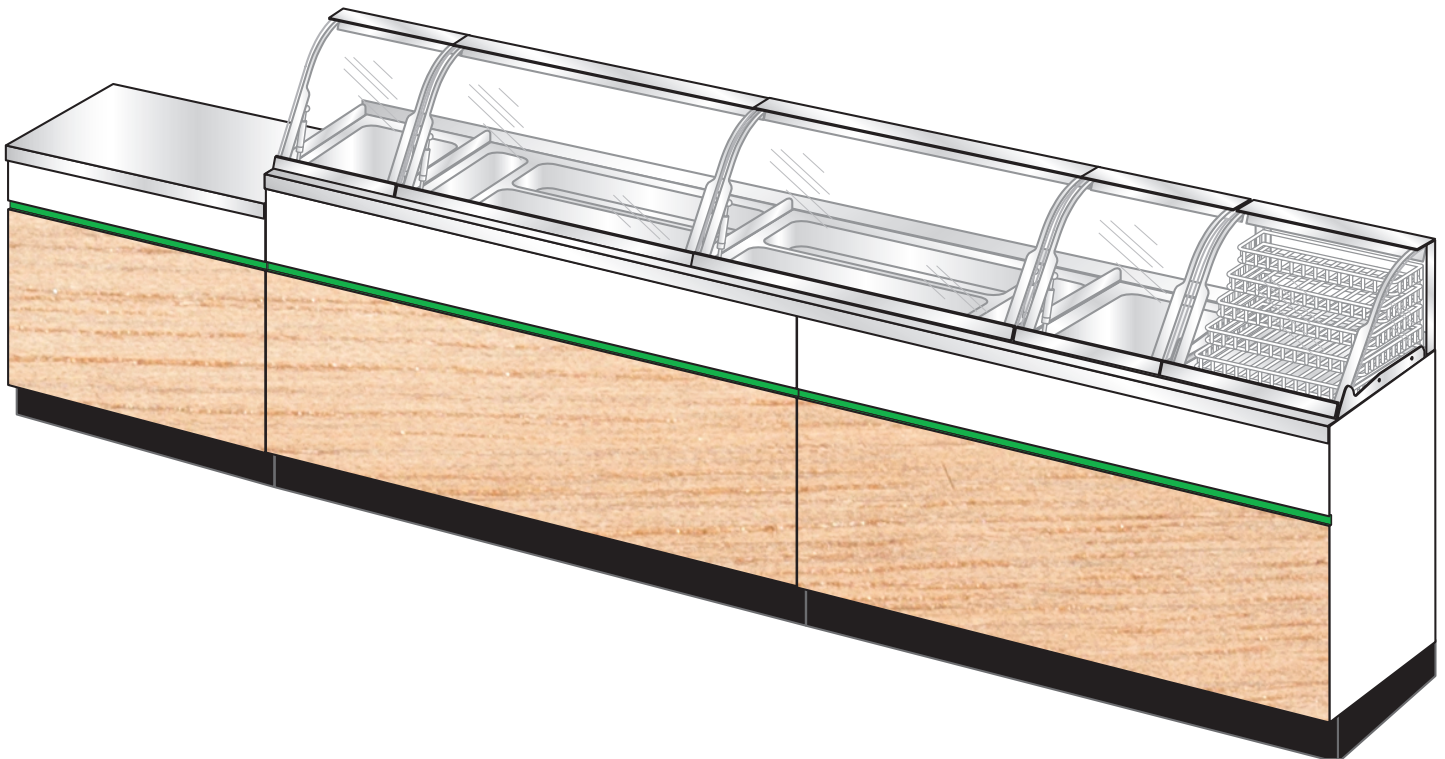




Your Solutions Partner

*Fresh Start Décor*

# Installation Instructions



**CAUTION:** Please read this manual completely before attempting to install, operate or service this equipment

*This manual is Copyright © 2018 Duke Manufacturing Co. All rights reserved.  
Reproduction without written permission is prohibited. Duke is a registered  
trademark of the Duke Manufacturing Co.*

[www.dukemfg.com/subway](http://www.dukemfg.com/subway)

P/N 229152  
REV C 11/05/2018



# TABLE OF CONTENTS

**Safety Instructions .....2**

**Tools Needed - not included .....3**

**I. Removal of Old Decor Panels (retro Fit only) .....4**

**II. Notching Hot Food Unit (with Bread Display Only) .....4**

**III. Level All Units .....4**

**IV. Front Decor Panels .....5**

## IMPORTANT SAFETY INSTRUCTIONS

Throughout this manual, you will find the following safety words and symbols that signify important safety issues with regards to operating or maintaining the equipment.



**Indicates a hazardous situation which, if not avoided, could result in death or serious injury.**



**Indicates a hazardous situation which, if not avoided, could result in minor or moderate injury.**



**Indicates Important Information**



**Indicates electrical shock hazard which, if not avoided, could result in death or serious injury and/or equipment damage.**



**Indicates hot surface which, if not avoided, could result in minor or moderate injury.**

In addition to the warnings and cautions in this manual, use the following guidelines for safe operation of the unit.

- Read all instructions before using equipment.
- Install or locate the equipment only for its intended use as described in this manual.
- Do not use corrosive chemicals in this equipment.
- This equipment should be serviced by qualified personnel only. Contact the nearest Duke authorized service facility for adjustment or repair.
- Do not block or cover any openings on the unit.
- The procedures in this manual may include the use of chemical products. You must read the Material Safety Data Sheets before using any of these products.
- Disposal of the unit must be in accordance with local environmental codes and/or any other applicable codes.
- This appliance is not intended for use by persons (including children) with reduced physical, sensory or mental capabilities, or lack of experience and knowledge, unless they have been given supervision or instruction concerning use of the appliance by a person responsible for their safety.

## Tools Needed - not included



Adjustable  
Wrench



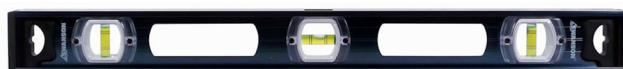
Cordless Drill



Phillips Screw  
Driver



Socket Set



Level

# Front Counter Decor Installation

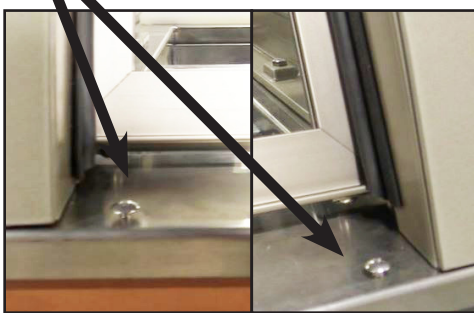
## I. Removal of Old Decor Panels - If Retro Fit

**NOTE:** If this is not a retrofit move on to next section "Notching Hot Food Unit"

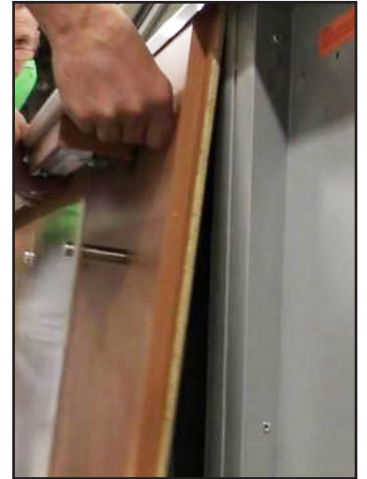
**CAUTION** Damage/Injury could result if two persons are not used for this Installation.

### Step 1 Removing front panels

A. Remove two screws at each end of the unit.



B. Lift Decor panel up and pull out bottom.



**Note:** Make sure to unplug the front light cord.

## II. Notching Hot Food Unit - If Bread Unit to be Installed

**NOTE:** If there is no Bread Display then skip to next section "III Level all Units"

**NOTE:** Will need the side that has the turn down flange.

Step 1 Mark the hot food unit.

Step 2 Using a grinding wheel, cut out section to make room for the Decor Panel.

Step 3 Clean up any burrs and smooth sharp edges.



## III. Level all Units

**NOTE:** All units must be leveled before front panels are installed starting with cold pan and working outward.

**CAUTION** Failure to level all units may result in Decor Panels not lining up.

Line up all cabinets in approximate final location and start bolts that are used to fasten bodies to each other. **Note: Do not fully tighten bolts**

Make sure all units are level and aligned with each other. Tighten all bolts to secure units. See installation instructions supplied with equipment.

# Front Decor Installation - continued

## IV. Front Decor Panels

**⚠ CAUTION** Damage/Injury could result if two persons are not used for this Installation.

Note: Make sure all electrical is complete before installing front panels

### Step 1 Mounting front panels

A. Ensure all brackets on back of panels are adjusted as shown on the right. It is adjusted correctly when you can see the open center (where the bolt is) with the lower flange up above (see Red arrows).

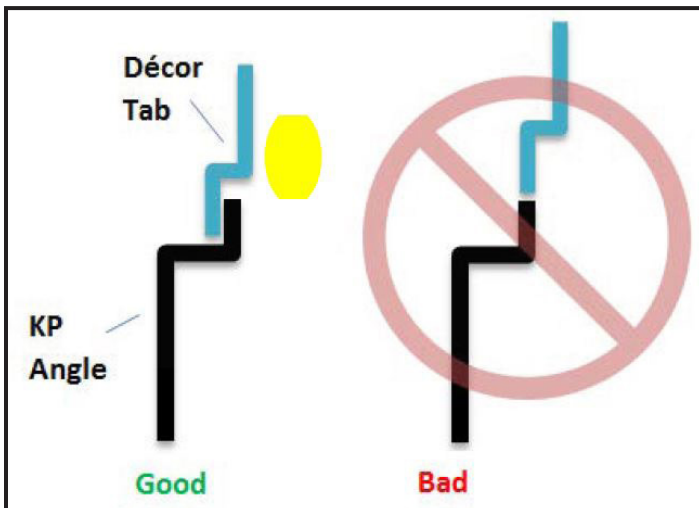
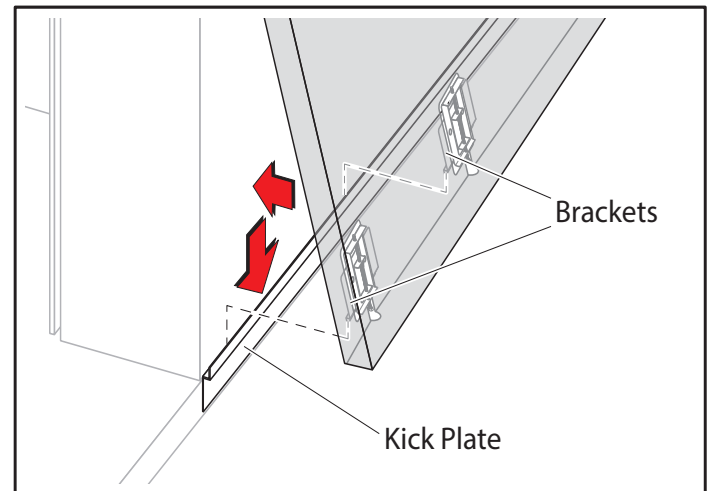
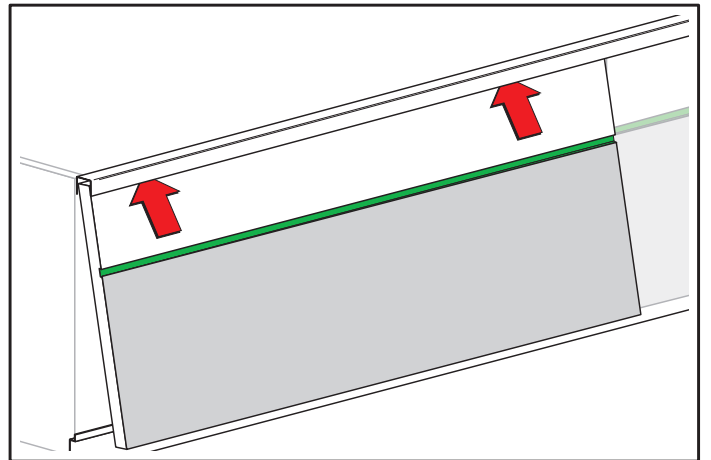
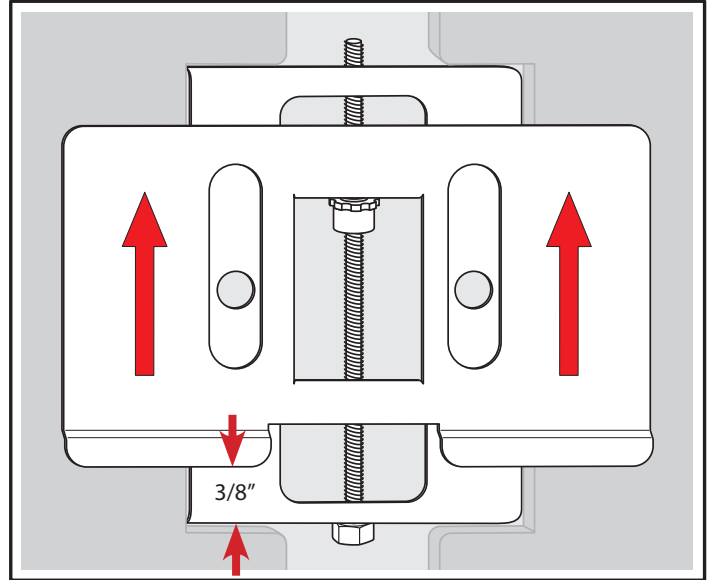
**NOTE:** (3/8" From bottom of bracket to offset)

**NOTE:** The adjustment bracket allows the decor panel to sit on the kick plate angle when installing the front panel and during adjustment.

B. Start with the largest panel opposite the cashier station and work towards cashier unit.

C. Slide the panel up into the channel at the top of the unit. Using the brackets hang the panel on the metal lip at the bottom of the unit.

**⚠ CAUTION** Pull on bottom of panel to ensure engagement with bracket.

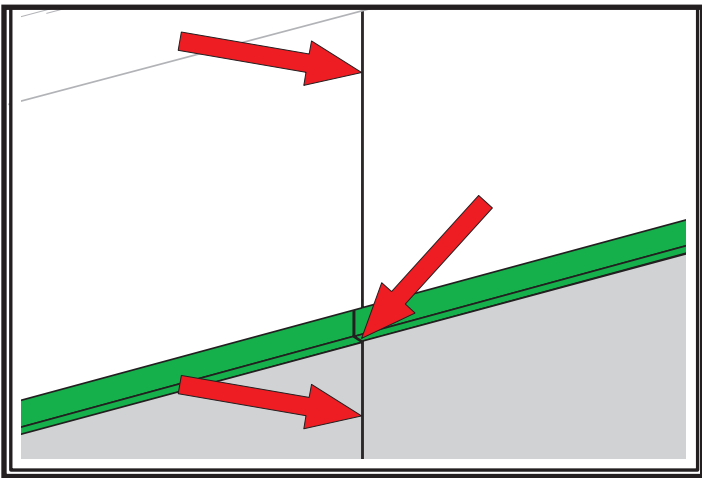
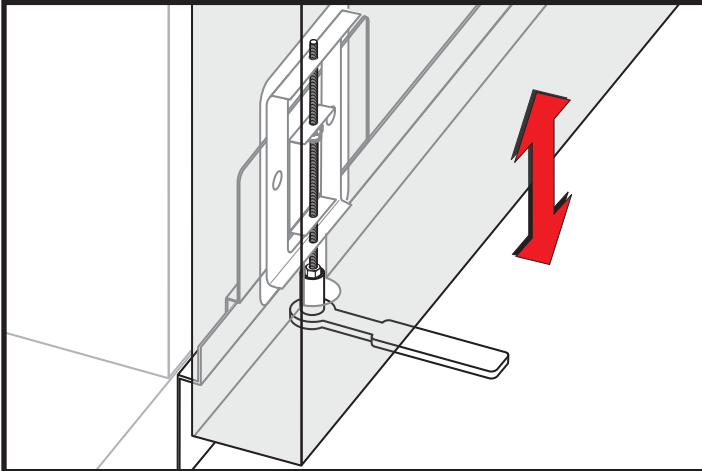


# Front Decor Installation - continued

## Step 2 Alignment of panels

A. Use the adjustment bolts to line up the green channel where the two panels have a seam.

**Note:** Make sure the vertical seam is closed.



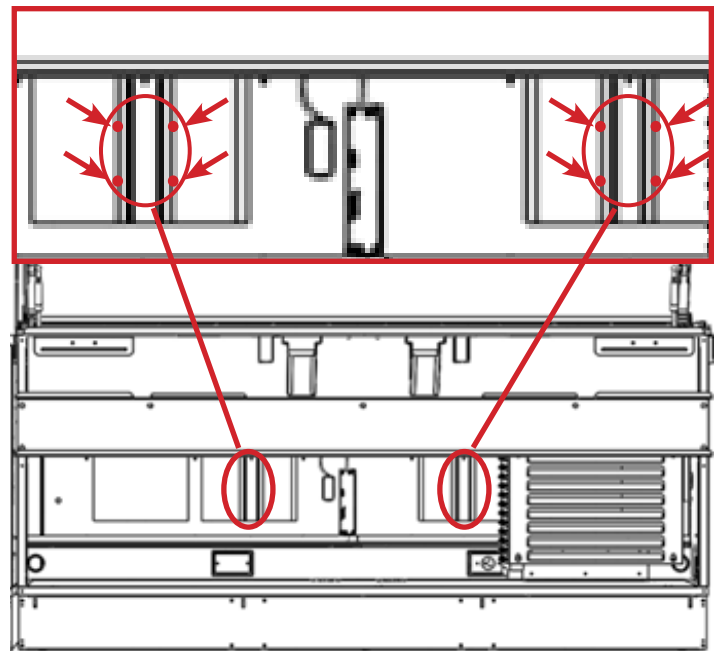
## Step 3 Repeat until all panels are installed

## Step 4 Drill holes for panels

**CAUTION** Failure to complete this step could cause bodily injury.

Once all panels have been installed and adjusted. From back side under counter drill holes in the reinforcement channels as indicated below.

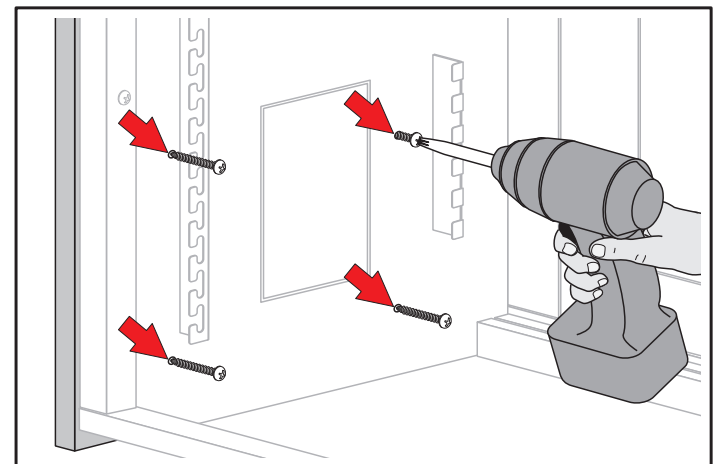
**NOTE:** Minimum of four (4) screws per panel.



## Step 5 Securing All Panels

Secure panels by using 3/4" wood screws.

**NOTE:** Minimum of four screws per panel.

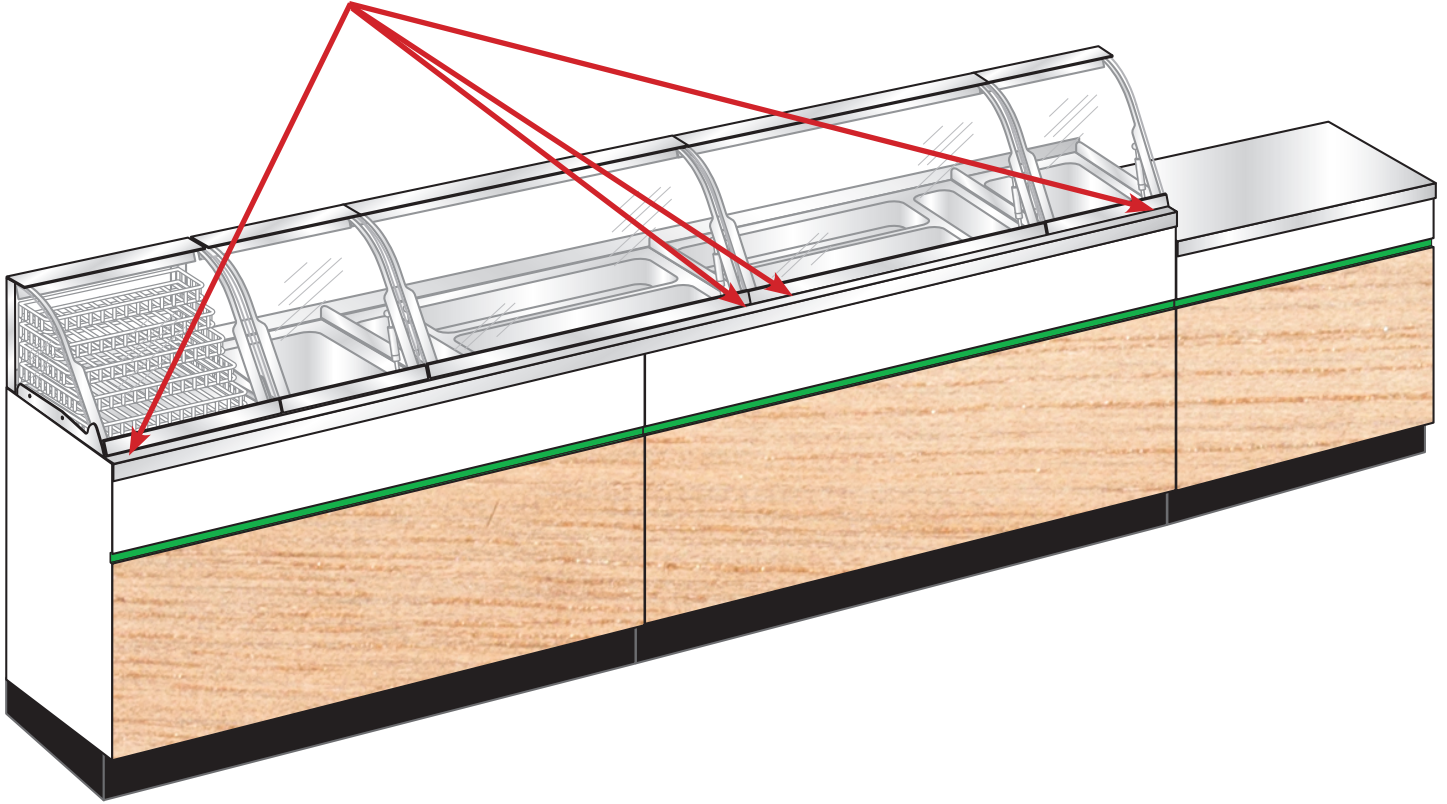


# Front Decor Installation - continued

## Step 6 Securing Stainless Trim

### NOTE: For Retrofit Units Only

Using the #21 Drill bit and 10-24 tap, drill and tap holes on the front top lip of the unit to secure Stainless trim.



# NOTES



**Duke Manufacturing Co.**  
2305 N. Broadway  
St. Louis, MO 63102

Phone: 314-231-1130  
Toll Free: 1-800-735-3853  
Fax: 314-231-5074

[www.dukemfg.com](http://www.dukemfg.com)