



Your Solutions Partner

# Specifications

F.O.B. Sedalia, Missouri 65301



Approval Stamp(s):

PRODUCT INFORMATION:

PROJECT: \_\_\_\_\_

ITEM: \_\_\_\_\_

QUANTITY: \_\_\_\_\_

MODEL:

## Front Line Bread Display Unit

- 2503934 Left Bread Display 36" High
- 2503622 Left Bread Display 34" High
- 2503935 Right Bread Display 36" High
- 2503623 Right Bread Display 34" High

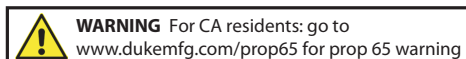
### FEATURES:

- Glass doors with aluminum frame
- Stainless wire racks
- Removable baskets
- Wire Chase
- Interchangeable hinged doors

### Agency Listings:



Specification subject to change



DUKE MANUFACTURING CO.

2305 N. Broadway

St. Louis, MO 63102

800.735.3853 Toll Free

314.231.5074 Fax

www.dukemfg.com

SS-1221 FLM 200 Bread Cabinet

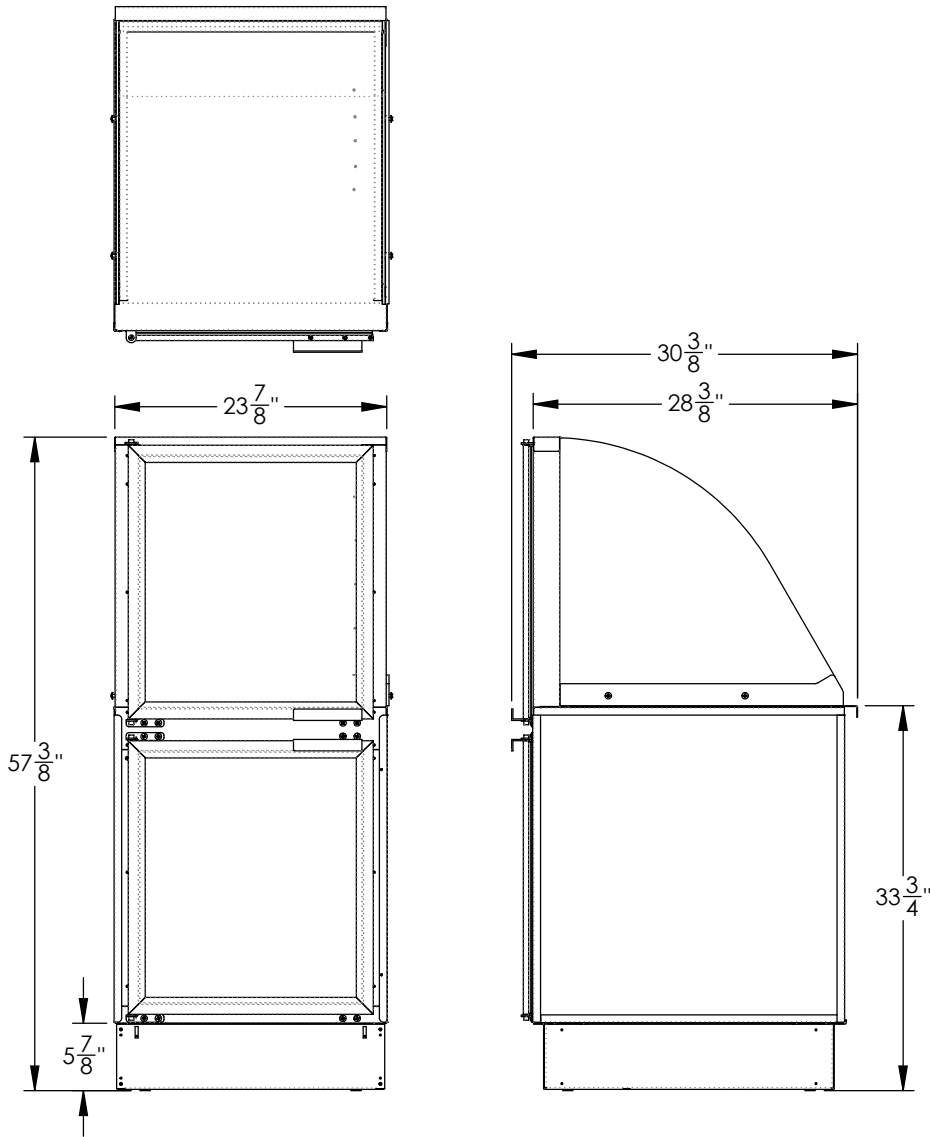
Front Line Merchandiser - FLM

Catalog No. FLM

A.I.A. File No. 35-C-13

REV A 02/22/2021

# Front Line Bread Display



2503622 34" High Left Hinge Shown Above

**DIMENSIONS:**

**Freight Class: 150**

| Model   | Height |        | Width  |       | Depth  |       | Hing Side | Crated Ship Weight |     |
|---------|--------|--------|--------|-------|--------|-------|-----------|--------------------|-----|
|         | in.    | cm     | in.    | cm    | in.    | cm    |           | lbs.               | kg  |
| 2503934 | 59.38  | 150.83 | 24.875 | 60.64 | 30.375 | 77.15 | Left      | 303                | 113 |
| 2503622 | 57.38  | 145.73 | 24.875 | 60.64 | 30.375 | 77.15 | Left      | 303                | 113 |
| 2503935 | 59.38  | 150.83 | 24.875 | 60.64 | 30.375 | 77.15 | Right     | 303                | 113 |
| 2503623 | 57.38  | 145.73 | 24.875 | 60.64 | 30.375 | 77.15 | Right     | 303                | 113 |



**Duke Manufacturing Co.**  
 2305 N. Broadway  
 St. Louis, MO 63102

Phone: 314-231-1130  
 Toll Free: 1-800-735-3853  
 Fax: 314-231-5074

[www.dukemfg.com](http://www.dukemfg.com)