



Your Solutions Partner

# Specifications

FOB Sedalia, Missouri 65301



**2504626 - 48" Left Beverage Destination**

**Approval Stamp(s):**

**PRODUCT INFORMATION:**

PROJECT: \_\_\_\_\_

ITEM: \_\_\_\_\_

QUANTITY: \_\_\_\_\_

MODEL:

**Beverage Destination Unit with Trough**

Part No	Description
<input type="checkbox"/> 2504626	48" Left Beverage Destination
<input type="checkbox"/> 2504627	48" Right Beverage Destination
<input type="checkbox"/> 2504628	60" Left Beverage Destination
<input type="checkbox"/> 2504629	60" Right Beverage Destination
<input type="checkbox"/> 2504632	72" Left Beverage Destination
<input type="checkbox"/> 2504633	72" Right Beverage Destination
<input type="checkbox"/> 2504634	84" Left Beverage Destination
<input type="checkbox"/> 2504635	84" Right Beverage Destination
<input type="checkbox"/> 2504690	96" Left Beverage Destination
<input type="checkbox"/> 2504780	96" Right Beverage Destination

**Product Features:**

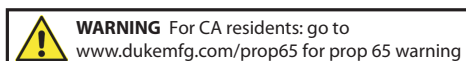
- Increased depth to allow for all standard dispensing equipment and ice makers
- 2" riser on rear and both ends to contain spills
- Insulated drip trough built into unit
- Removable decor panels for decor changes or replacement
- Reinforced top to accommodate weight of dispensing equipment and ice machine
- Waste chute built into top of unit
- Low profile door handles
- 34" working height to meet ADA requirements

**Agency Listings:**



DUKE MANUFACTURING CO.  
 2305 N. Broadway  
 St. Louis, MO 63102  
 800.735.3853 Toll Free  
 314.231.5074 Fax  
 www.dukemfg.com  
 SS-1220 Beverage Destination Unit

Specification subject to change

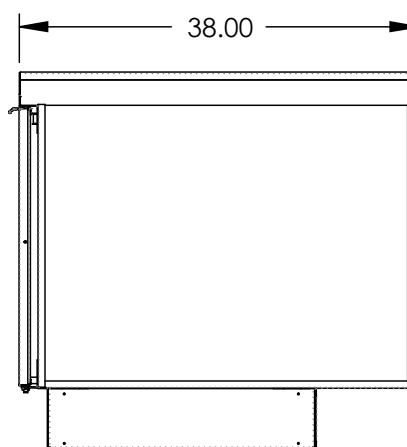
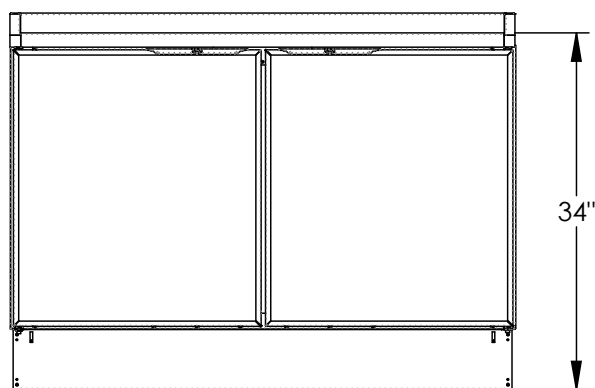
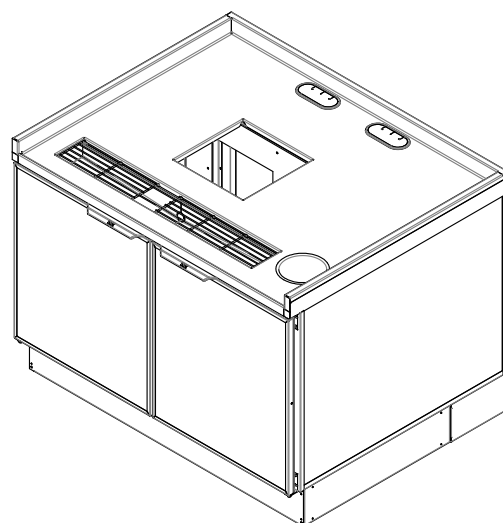
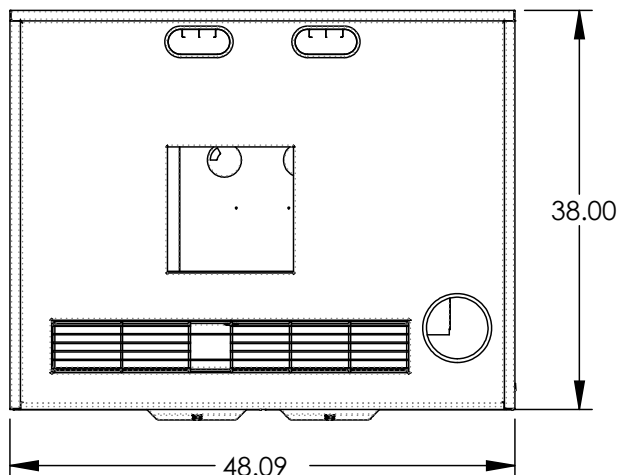


Beverage Destination Unit

Beverage Unit

A.I.A. File No. 35-C-13

# Beverage Destination Unit



**DIMENSIONS:** Height: 34.00" (86.36cm) Depth: 38.00" (96.52cm) **Freight Class: 100**

Part No	Width		Waste Location	Weight	
	in.	cm		lbs	kg
2504626	48.00	121.92	Right Top	350	158.76
2504627	48.00	121.92	Left Top	350	158.76
2504628	60.00	152.40	Right Top	366	166.01
2504629	60.00	152.40	Left Top	366	166.01
2504632	72.00	182.88	Right Top	382	173.27
2504633	72.00	182.88	Left Top	382	173.27
2504634	84.00	213.36	Right Top	480	217.72
2504635	84.00	213.36	Left Top	480	217.72
2504690	96.00	243.84	Right Top	700	317.51
2504780	96.00	243.84	Left Top	700	317.51



Your Solutions Partner

**Duke Manufacturing Co.**  
2305 N. Broadway  
St. Louis, MO 63102

Phone: 314-231-1130  
Toll Free: 1-800-735-3853  
Fax: 314-231-5074

[www.dukemfg.com](http://www.dukemfg.com)