



Your Solutions Partner

Specifications

F.O.B. Sedalia, Missouri 65301

Approval Stamp(s):

PRODUCT INFORMATION:

PROJECT: _____

ITEM: _____

QUANTITY: _____

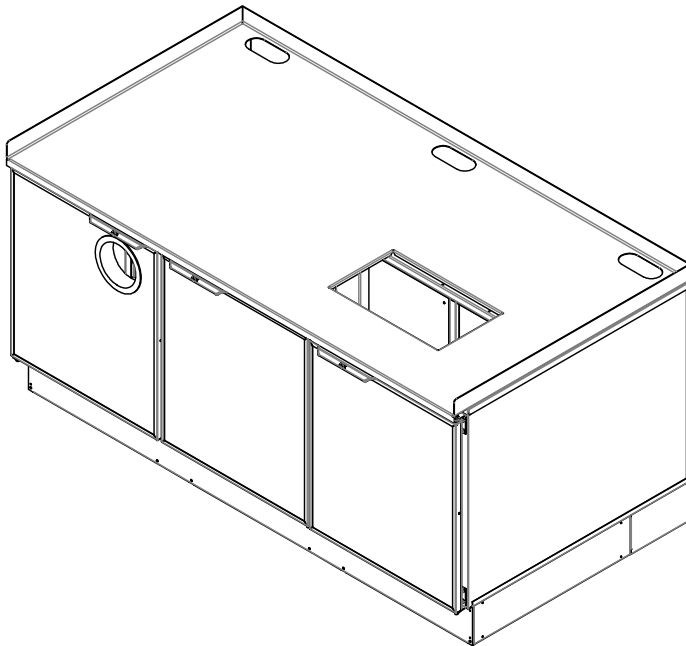
MODEL:

Beverage Destination - Canada

- 2501850 48" Left Beverage Destination
- 2501851 48" Right Beverage Destination
- 2501869 60" Left Beverage Destination
- 2501870 60" Right Beverage Destination
- 2501852 72" Left Beverage Destination
- 2501853 72" Right Beverage Destination
- 2503179 84" Left Beverage Destination
- 2503180 84" Right Beverage Destination

Product Features:

- Heavy gauge stainless steel top to accommodate counter top dispensing unit.
- Front and sides finished with removable panels.
- Non-corrosive stainless steel top with 4" rear backsplash.
- Utility access openings with protective grommets and covers.
- Waste chute in door.
- Kickplates black baked enamel front, back and ends.
- Adjustable legs; removable for installation.



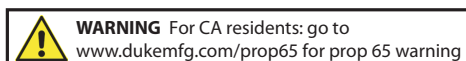
2501852 - 72" Left Beverage Destination - Canada

Agency Listings:



DUKE MANUFACTURING CO.
 2305 N. Broadway
 St. Louis, MO 63102
 800.735.3853 Toll Free
 314.231.5074 Fax
 www.dukemfg.com
 SS-1219 Beverage Center - Canada

Specification subject to change



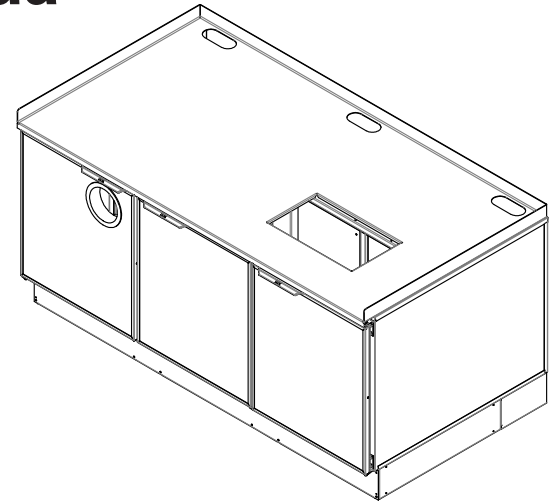
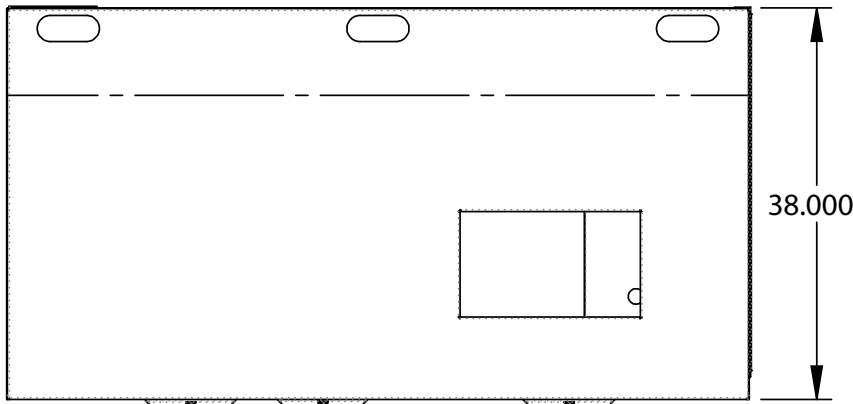
Beverage Counter - Canada

Catalog No. : Beverage Counter

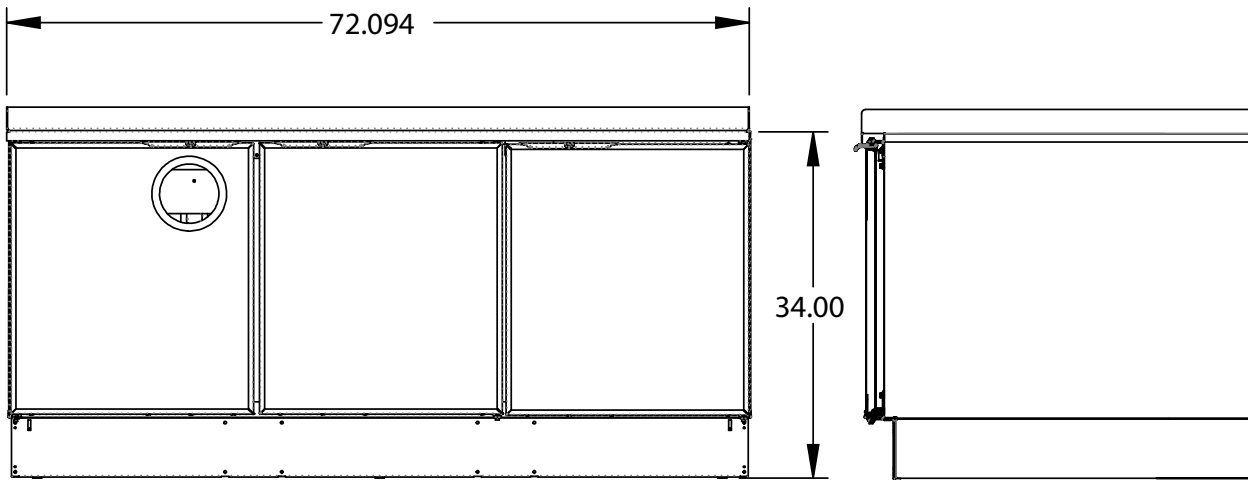
A.I.A. File No.

Beverage Destination - Canada

A.I.A. File No.



Catalog No. : Beverage Counter



DIMENSIONS:

Height - 34.00" (86.36cm) `Depth - 38.00" (96.52cm)

Freight Class: 100

Model	Width		Waste Chute	Weight	
	in.	cm		Lbs.	kg
<input type="checkbox"/> 2501850	48.00	121.92	Left	230	104.33
<input type="checkbox"/> 2501851	48.00	121.92	Right	230	104.33
<input type="checkbox"/> 2501869	60.00	152.40	Right	425	192.78
<input type="checkbox"/> 2501870	60.00	152.40	Left	425	192.78
<input type="checkbox"/> 2501852	72.00	182.88	Right	444	201.40
<input type="checkbox"/> 2501853	72.00	182.88	Left	444	201.40
<input type="checkbox"/> 2503179	84.00	182.88	Right	463	210.01
<input type="checkbox"/> 2503180	84.00	182.88	Left	463	210.01

Beverage Counter - Canada



Duke Manufacturing Co.
2305 N. Broadway
St. Louis, MO 63102

Phone: 314-231-1130
Toll Free: 1-800-735-3853
Fax: 314-231-5074

www.dukemfg.com