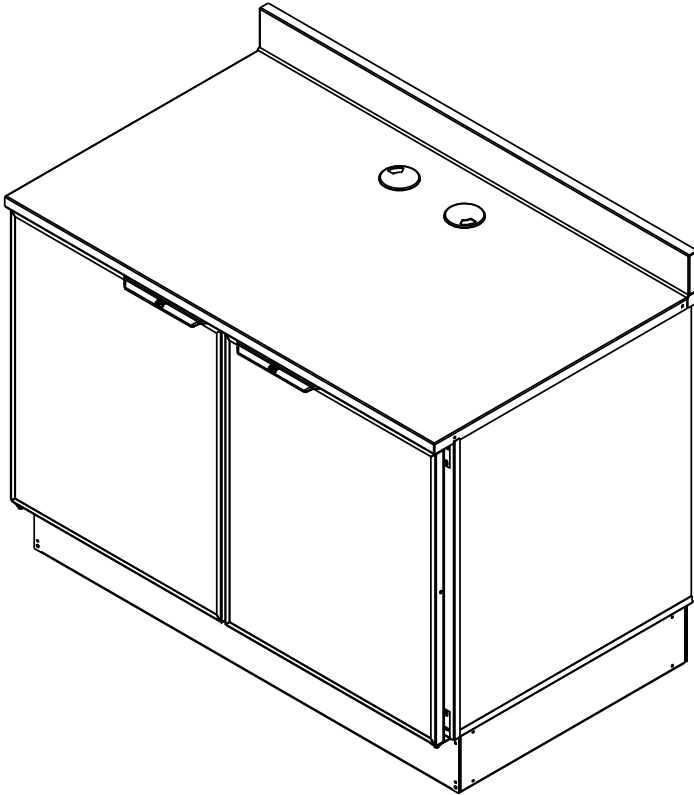




Your Solutions Partner

# Specifications

F.O.B. Sedalia, Missouri 65301



Model 2501050 48" Counter

### OPTIONS:

- Hand Sink

### Agency Listings:



DUKE MANUFACTURING CO.

2305 N. Broadway

St. Louis, MO 63102

800.735.3853 Toll Free

314.231.5074 Fax

www.dukemfg.com

SS-1216 Back Counter - Solid Top

### Approval Stamp(s):

#### PRODUCT INFORMATION:

PROJECT: \_\_\_\_\_

ITEM: \_\_\_\_\_

QUANTITY: \_\_\_\_\_

#### MODEL:

#### Back Counter - Solid Top

- 2501283                      24" Back Counter
- 2501049                      36" Back Counter
- 2501050                      48" Back Counter
- 2501051                      60" Back Counter
- 2501052                      72" Back Counter

#### Product Features:

- Heavy gauge stainless steel top with welded construction.
- Front and sides finished with removable stainless steel panels.
- Non-corrosive stainless steel top with 4" rear backsplash.
- Adjustable undershelf included on units.
- Two utility access openings with protective grommets and covers.
- Kickplates black baked enamel front, back and ends.
- Adjustable legs; removable for installation.

Back Counter - Solid Top

Catalog No. : Back Counter

A.I.A. File No.

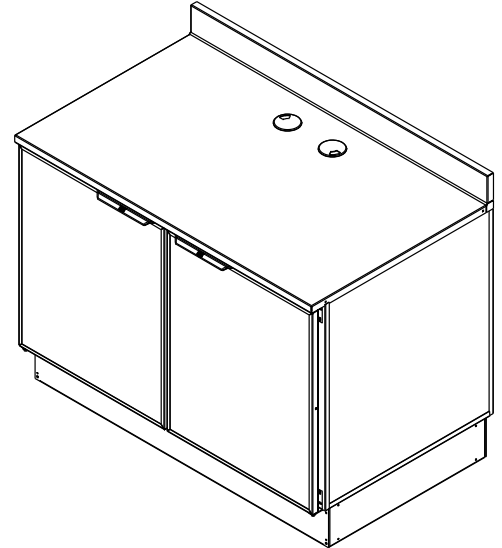
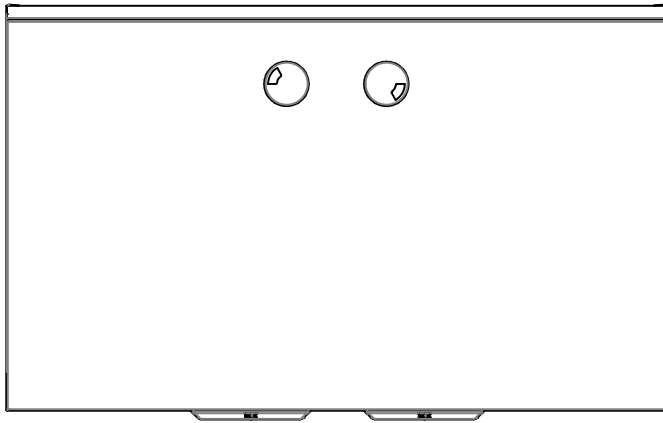
Specification subject to change



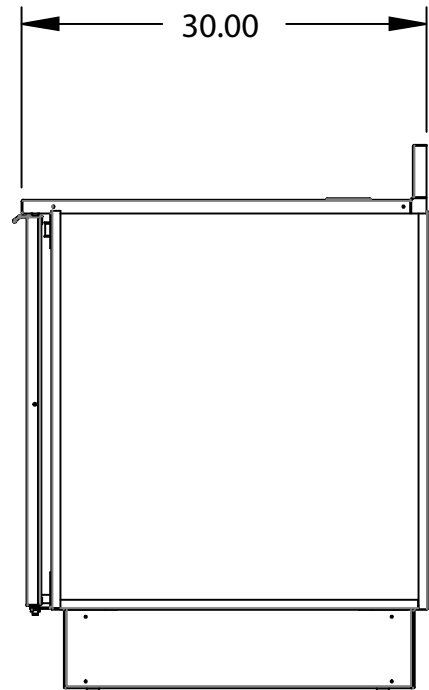
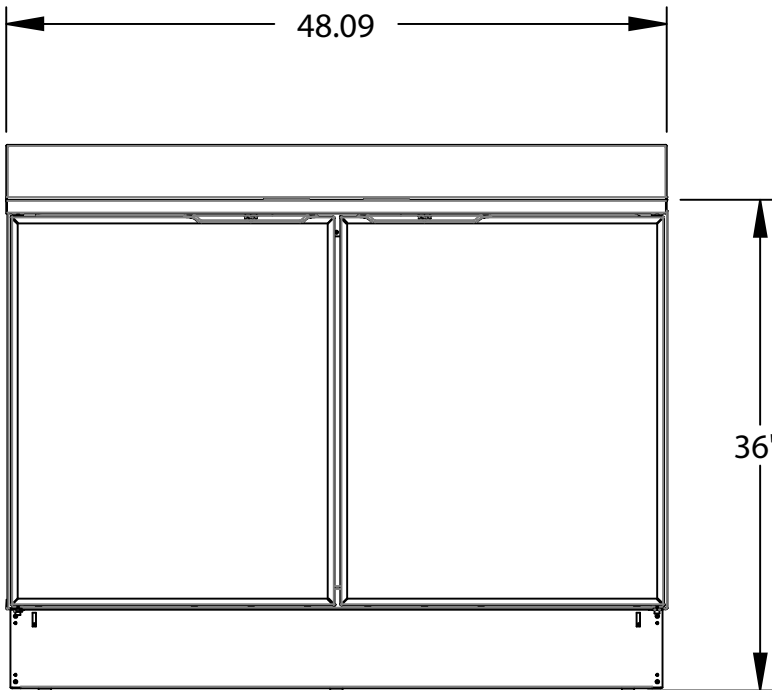
**WARNING** For CA residents: go to [www.dukemfg.com/prop65](http://www.dukemfg.com/prop65) for prop 65 warning

# Solid Top Back Counter

A.I.A. File No.



Catalog No. : Back Counter



**DIMENSIONS:**

**Freight Class: 100**

**Height - 36" (91.44cm) `Depth - 30" (76.20cm)**

Model	Width		Crated Ship Weight	
	in.	cm	lbs.	kg
2501283	24" Back Counter	60.96	175	79.38
2501049	36" Back Counter	91.44	212	96.16
2501050	48" Back Counter	121.92	278	126.10
2501051	60" Back Counter	152.40	325	147.42
2501052	72" Back Counter	182.88	375	170.10

Back Counter - Solid Top



**Duke Manufacturing Co.**  
2305 N. Broadway  
St. Louis, MO 63102

Phone: 314-231-1130  
Toll Free: 1-800-735-3853  
Fax: 314-231-5074

[www.dukemfg.com](http://www.dukemfg.com)