



Your Solutions Partner

Specifications

F.O.B. Sedalia, Missouri 65301



60" with Adjustable Stainless Steel Undershelf

OPTIONS:

- Deluxe drawers**
 - Stainless front, galvanized interior**
#176-30
 - Stainless front, stainless interior**
 - #177-24
 - #177-30

Agency Listings:



DUKE MANUFACTURING CO.
 2305 N. Broadway
 St. Louis, MO 63102
 800.735.3853 Toll Free
 314.231.5074 Fax
 www.dukemfg.com

SS-1215 - Table - Adj - Stainless Under Shelf

Approval Stamp(s):

PRODUCT INFORMATION:

PROJECT: _____
 ITEM: _____
 QUANTITY: _____

MODEL:

Work Tables With Adjustable Stainless Steel Bottom Shelf

Model Number 7202-PN-SUB

Part#	L X D	Part#	L X D
<input type="checkbox"/> 2424	24"L X 24"D	<input type="checkbox"/> 6030	60"L X 30"D
<input type="checkbox"/> 2430	24"L X 30"D	<input type="checkbox"/> 7230	72"L X 30"D
<input type="checkbox"/> 3024	30"L X 24"D	<input type="checkbox"/> 8430	84"L X 30"D
<input type="checkbox"/> 3630	36"L X 30"D	<input type="checkbox"/> 9630	96"L X 30"D
<input type="checkbox"/> 3630	36"L X 30"D	<input type="checkbox"/> 10830	108"L X 30"D
<input type="checkbox"/> 3630	36"L X 30"D	<input type="checkbox"/> 12030	120"L X 30"D

TOP:

- 14 gauge 300 Series stainless steel
- 1-1/8" turn - up on rear
- Bull nose front
- Underside reinforced with 14 gauge stainless steel
- hat channels running full length top

ADJUSTABLE UNDERSHELF:

- Heavy gauge stainless steel
- Die-formed corners
- Set screws to lock in place

LEGS:

- 1-5/8" diameter, stainless steel, tubular leg
- Non-marking, non-corrosive, adjustable plastic bullet feet for stainless steel legs
- Stainless Steel leg sockets welded to hat channels

Specification subject to change

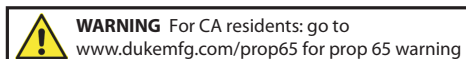


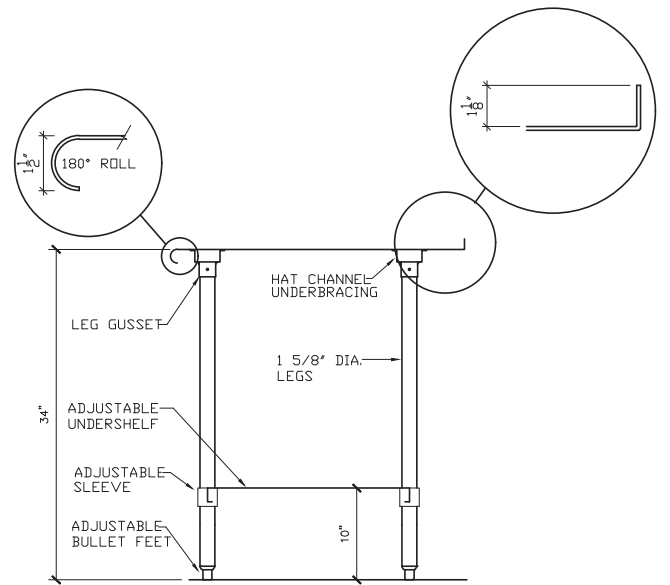
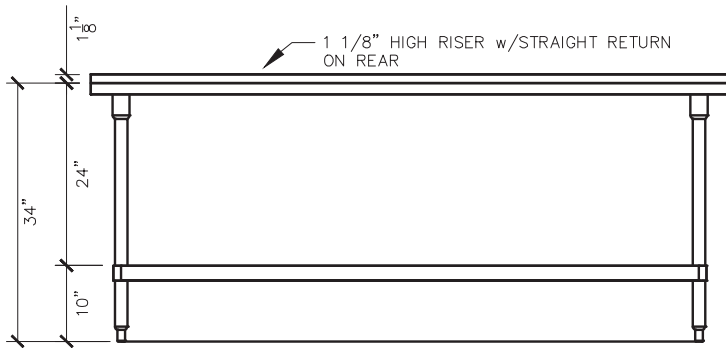
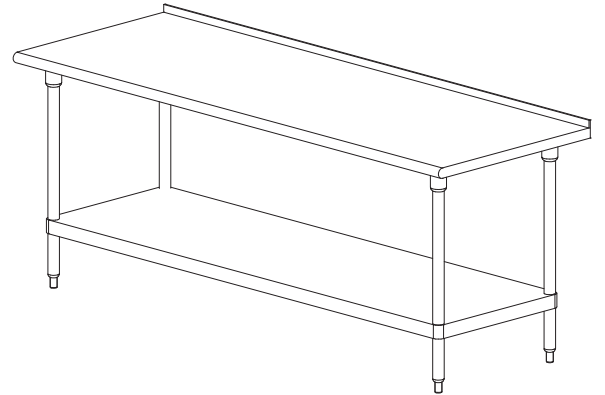
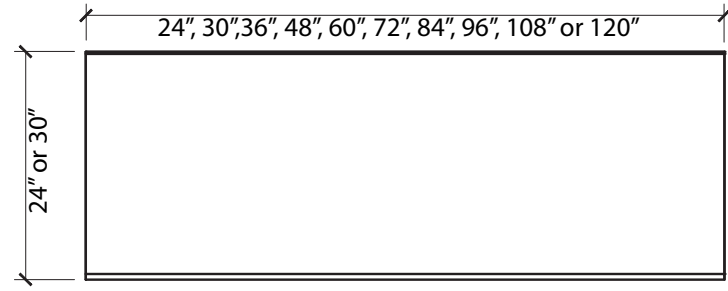
Table - Adj - Stainless Under Shelf

Catalog No. Table

A.I.A. File No. 35-C-13

REV B 02/23/2021

Work Table - Adjustable Stainless Steel Shelf



DIMENSIONS:

Height - 34" (86.36cm)

Freight Class: 70

Part #	Length		Depth		Weight		Part #	Length		Depth		Weight	
	in.	cm	in.	cm	lbs	kg		in.	cm	in.	cm	lbs	kg
2424	24	60.96	24	60.96	56	25.4	6030	60	152.40	30	76.20	110	49.9
2430	24	60.96	30	76.20	56	25.4	7230	72	182.88	30	76.20	120	54.4
3024	30	76.20	24	60.96	60	27.2	8430	84	213.36	30	76.20	160	72.6
3630	36	91.44	30	76.20	70	31.8	9630	96	243.84	30	76.20	175	79.4
4830	48	121.92	30	76.20	80	36.3	10830	108	274.32	30	76.20	180	81.6
6024	60	152.40	24	76.20	110	49.9	12030	120	304.80	30	76.20	195	88.5

