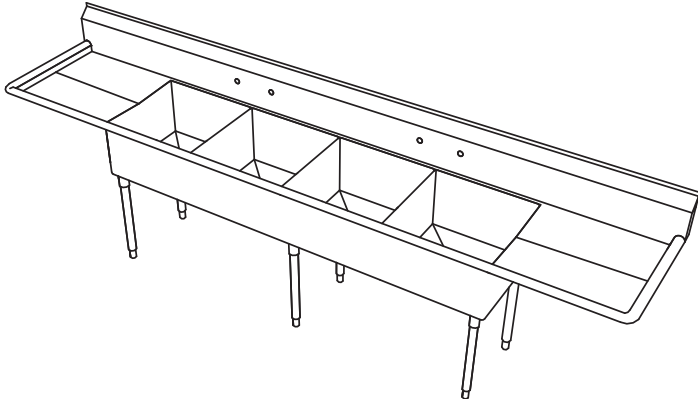




Your Solutions Partner

Specifications

F.O.B. Sedalia, Missouri 65301



OPTIONS:

- Twist handle lever drain#214569
- Splash mounted faucet with 12" spout #215903
- Pre-rinse sprayer with 12" spout faucet #215902

Approval Stamp(s):

PRODUCT INFORMATION:

PROJECT: _____

ITEM: _____

QUANTITY: _____

MODEL:

4 Compartment Sinks

- 217609 4 Compartment (2) 18" Drainboards
- 217649 4 Compartment (2) 24" Drainboards

BODY:

- Compartments are 21" x 16" x 14" deep
- Drainboards are welded integral with sink.
- Rolled edges and splash are continuous with edge and splash on sink, with all horizontal and vertical corners coved on 1/4" or larger radius.
- Standard drainboard length are 24" lengths
- Sink is mounted on 1-5/8" diameter galvanized tubing with 3-1/16" stainless steel gussets and adjustable bullet feet.
- 1" diameter holes punched for faucet (8" center)

Agency Listings:



DUKE MANUFACTURING CO.

2305 N. Broadway

St. Louis, MO 63102

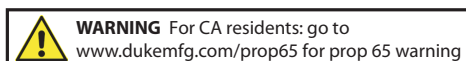
800.735.3853 Toll Free

314.231.5074 Fax

www.dukemfg.com

SS-1213 - Sink Four Compartment - Sub

Specification subject to change



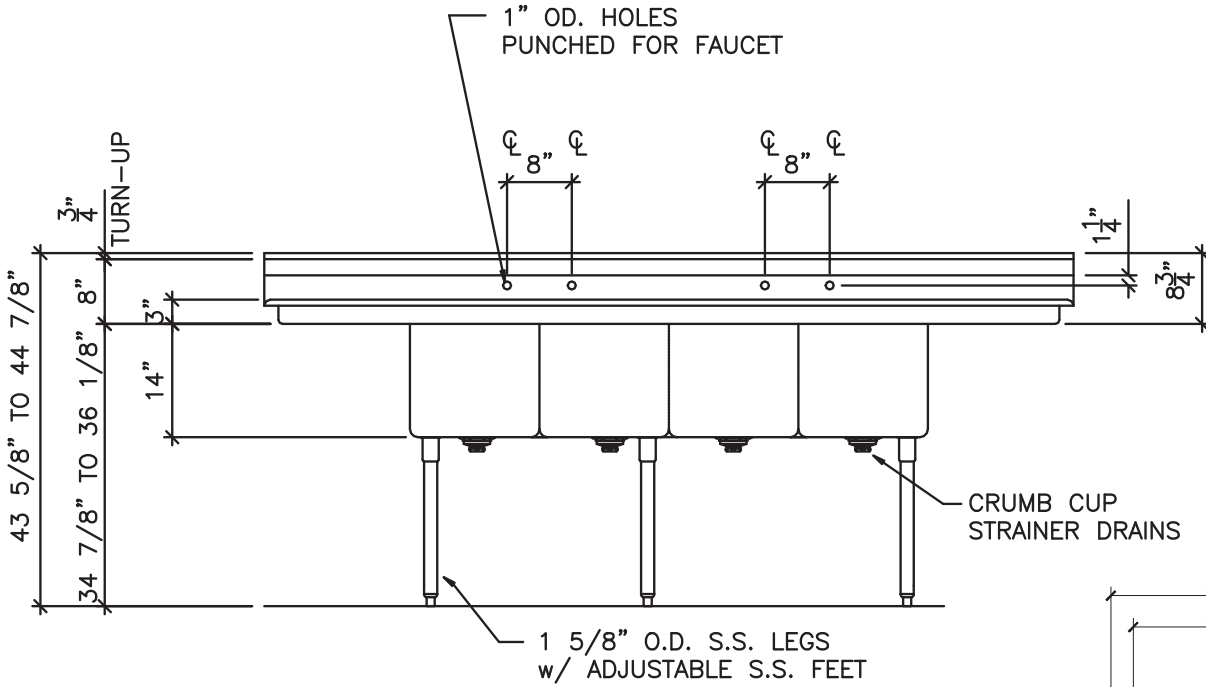
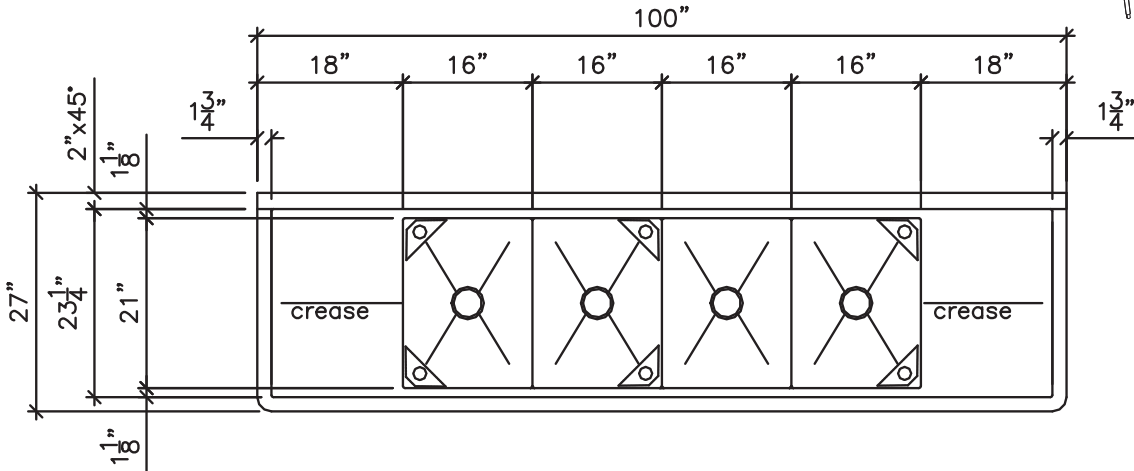
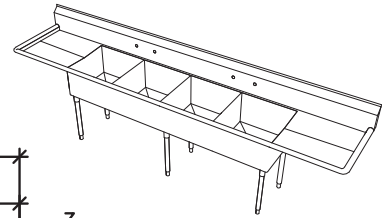
Sink - 4 Compartment

Catalog No. Sinks

A.I.A. File No. 35-C-13

REV B 02/22/2021

4 Compartment Sinks



Model 217609 Shown Above

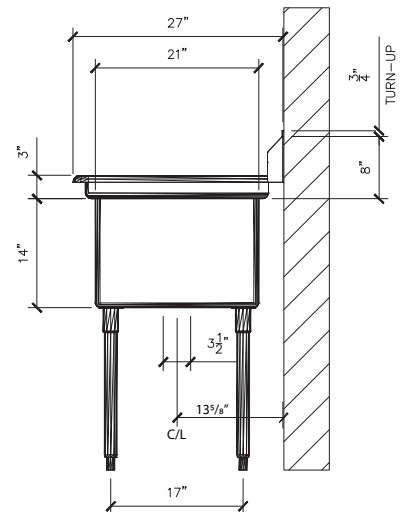
Height - 36" (91.44cm)

Depth - 27" (68.58cm)

Freight Class: 100

DIMENSIONS:

Model	Width		Drain Board		Location	Crated Ship Weight	
	in.	cm	in.	cm		lbs.	kg
217609	100	254	18.00	45.72	Rt & Lft	220	99.79
217649	112	284.48	24.00	45.72	Rt & Lft	230	104.33



Duke Manufacturing Co.
2305 N. Broadway
St. Louis, MO 63102

Phone: 314-231-1130
Toll Free: 1-800-735-3853
Fax: 314-231-5074

www.dukemfg.com