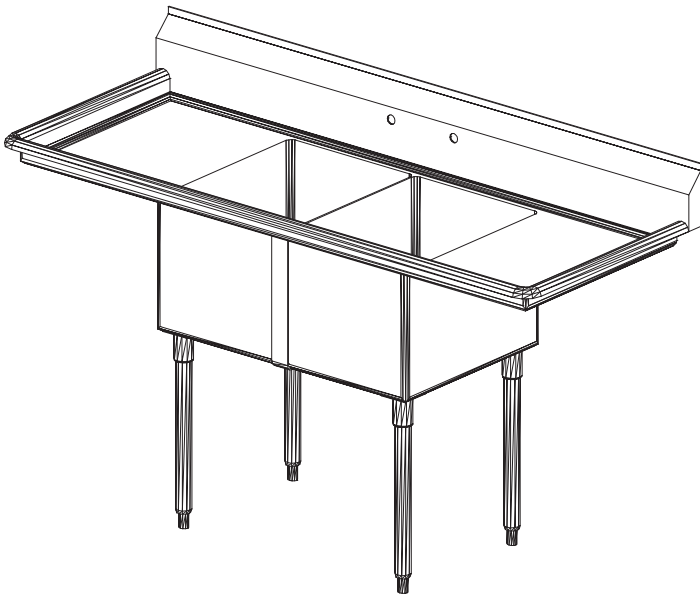




Your Solutions Partner

Specifications

FOB Sedalia, Missouri 65301



OPTIONS:

- Twist handle lever drain #214569
- Splash mounted faucet with 12" spout #215903
- Pre-rinse sprayer with 12" spout faucet #215902

Approval Stamp(s):

PRODUCT INFORMATION:

PROJECT: _____

ITEM: _____

QUANTITY: _____

MODEL:

Two Compartment Sink

- 217614 2 - 18" Drainboards

Product Features:

- Compartments are 21" x 16" x 14" deep
- Drainboards are welded integral with sink. Rolled edges and splash are continuous with edge and splash on sink, with all horizontal and vertical corners coved on 1/4" or larger radius.
- Standard drainboard length are 18"
- Sink is mounted on 1-5/8" diameter galvanized tubing with 3-1/16" stainless steel gussets and adjustable bullet feet.
- 1" diameter holes punched for faucet (8" center)

Agency Listings:



Specification subject to change



DUKE MANUFACTURING CO.

2305 N. Broadway

St. Louis, MO 63102

800.735.3853 Toll Free

314.231.5074 Fax

www.dukemfg.com

SS-1211 Sink Two Compartment - Sub

Sink - Two Compartment

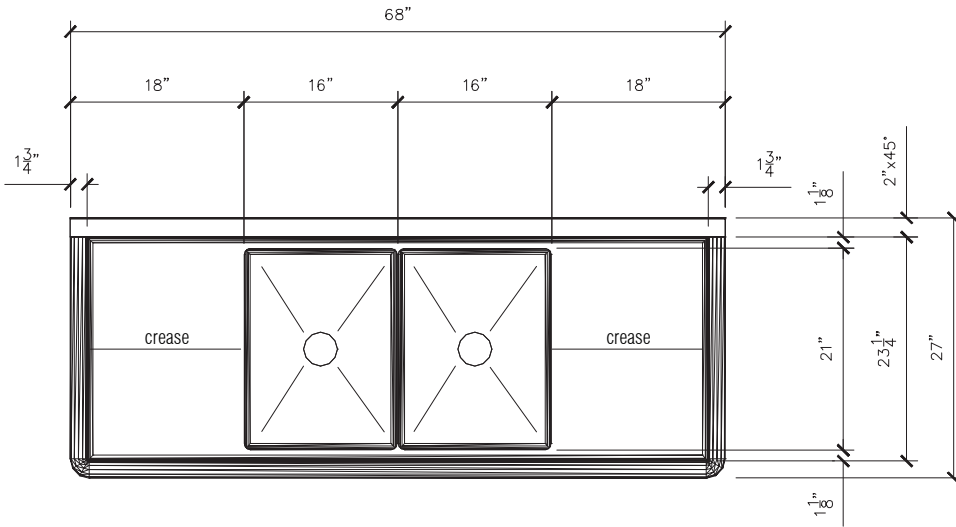
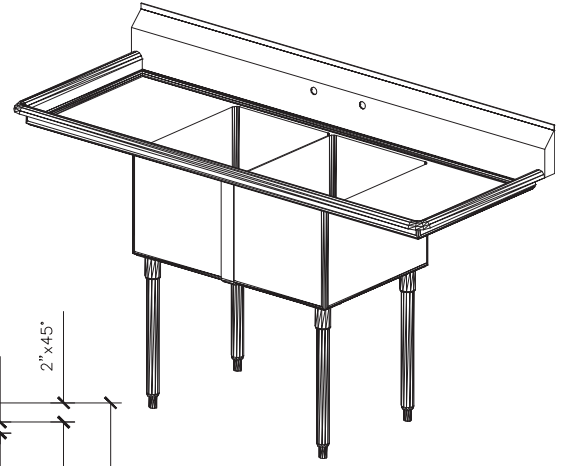
Sink

A.I.A. File No. 35-C-13

REV B 02/22/2021

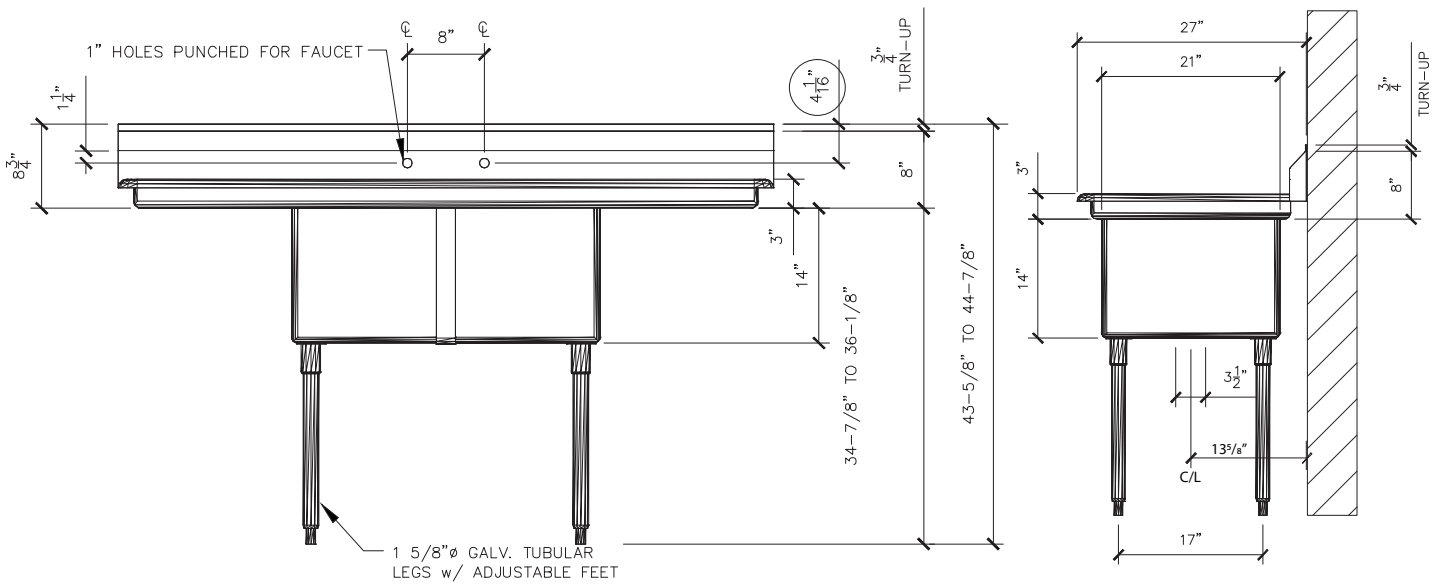
Sink - 2 Compartment

A.I.A. File No. 35-C-13



Side View

Sink



Height - 36" (91.44cm)

DIMENSIONS: Depth - 27" (68.58cm)

Freight Class: 100

Model	Width		Drain Board		Location	Crated Ship Weight	
	in.	cm	in.	cm		lbs.	kg
217614	68.00	172.72	18.00	45.72	Rt&Lft	155	70.31

Sink - Two Compartment



Duke Manufacturing Co.
2305 N. Broadway
St. Louis, MO 63102

Phone: 314-231-1130
Toll Free: 1-800-735-3853
Fax: 314-231-5074

www.dukemfg.com

Printed in U.S.A.
© 2021, Duke Manufacturing Co.