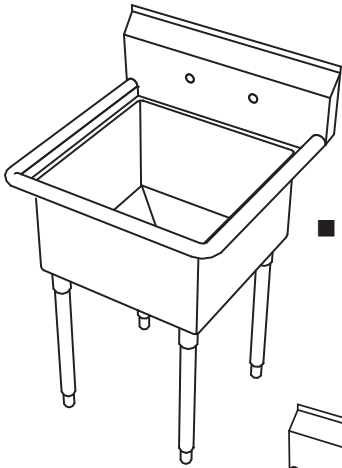




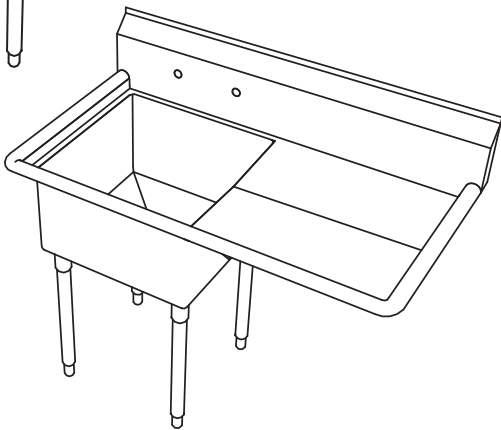
Your Solutions Partner

Specifications

FOB Sedalia, Missouri 65301



■ 217606



■ 217617

OPTIONS:

- Twist handle lever drain#214569
- Splash mounted faucet with 12" spout #215903
- Pre-rinse sprayer with 12" spout faucet #215902

Approval Stamp(s):

Sink - 1 Compartment

PRODUCT INFORMATION:

PROJECT: _____

ITEM: _____

QUANTITY: _____

MODEL:

1 Compartment Sink

- 217606 No Drainboards
- 217617 18" Right Drainboard
- 217618 18" Left Drainboard
- 217640 24" Left Drainboard
- 217641 24" Right Drainboard

BODY:

- 16 Ga. Stainless Steel
- Drainboards are welded integral with sink.
- Rolled edges and splash are continuous with edge and splash on sink, with all horizontal and vertical corners covered on 1/4" or larger radius.
- Standard drainboard length are 18" with 24" lengths
- Sink is mounted on 1-5/8" diameter galvanized tubing with 3-1/16" stainless steel gussets and adjustable bullet feet.

Catalog No. Sinks

Agency Listings:



Specification subject to change

DUKE MANUFACTURING CO.

2305 N. Broadway

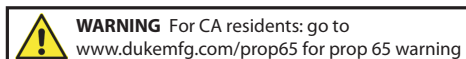
St. Louis, MO 63102

800.735.3853 Toll Free

314.231.5074 Fax

www.dukemfg.com

SS-1210 Sink - One Compartment - Subway



A.I.A. File No. 35-C-13

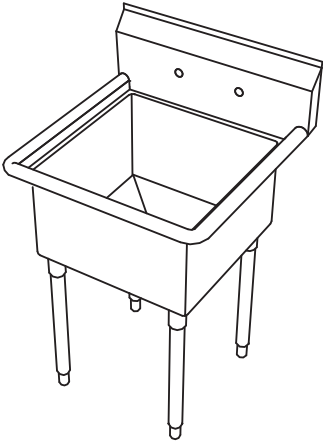
REV B 02/22/2021

1 Compartment Sinks - Subway

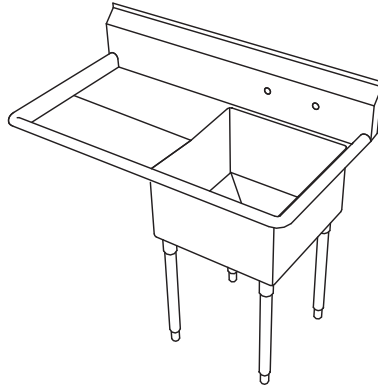
A.I.A. File No. 35-C-13

Catalog No. Sinks

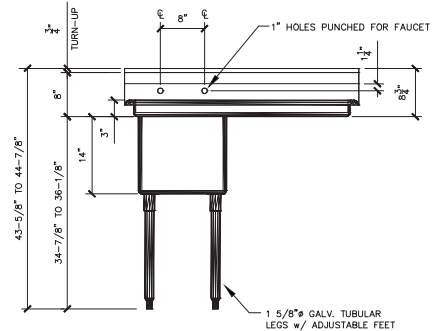
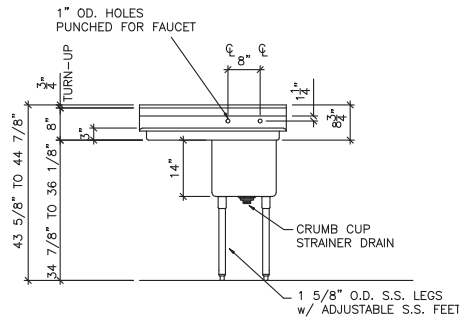
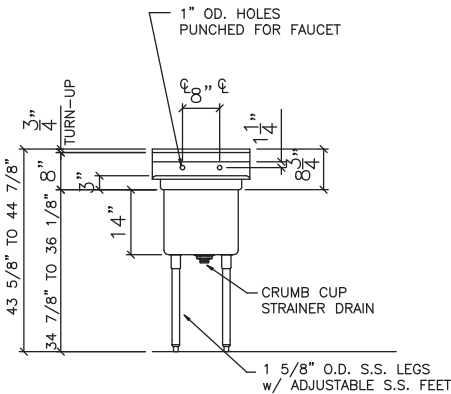
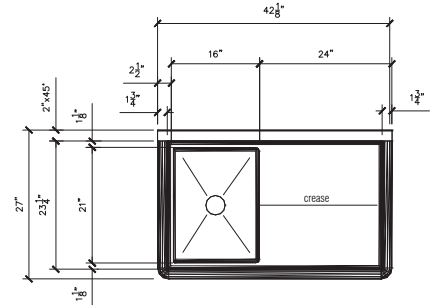
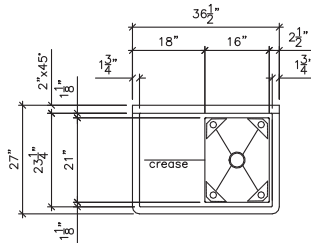
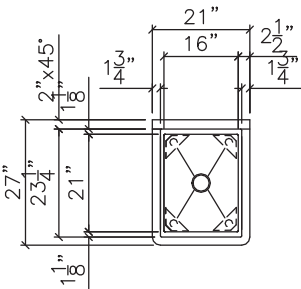
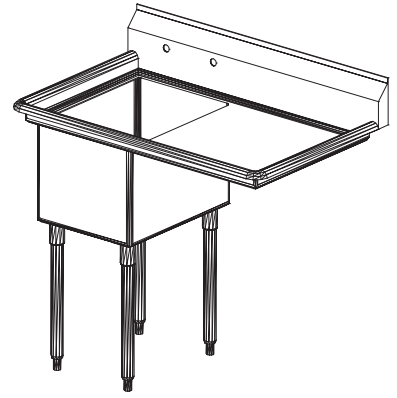
■ 217606



■ 217618



■ 217641



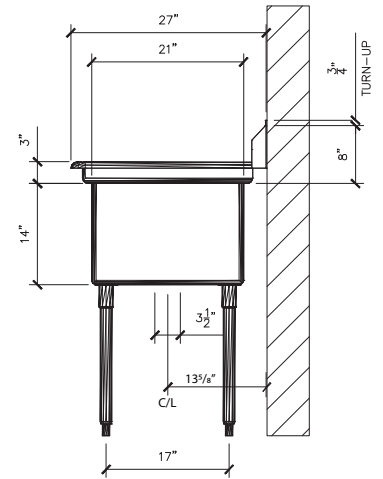
Height - 36" (91.44cm)

Depth - 27" (68.58cm)

Freight Class: 100

DIMENSIONS:

Model	Width		Drain Board		Location	Crated Ship Weight	
	in.	cm	in.	cm		lbs.	kg
217606	21.00	53.34	N/A	N/A	None	65	29.48
217617	36.50	92.71	18.00	45.72	Right	70	31.75
217618	36.50	92.71	18.00	45.72	Left	70	31.75
217640	42.50	107.95	24.00	60.96	Left	75	34.02
217641	42.50	107.95	24.00	60.96	Right	75	34.02



Sink - 1 Compartment



Duke Manufacturing Co.
2305 N. Broadway
St. Louis, MO 63102

Phone: 314-231-1130
Toll Free: 1-800-735-3853
Fax: 314-231-5074

www.dukemfg.com

Printed in U.S.A.
© 2020, Duke Manufacturing Co.