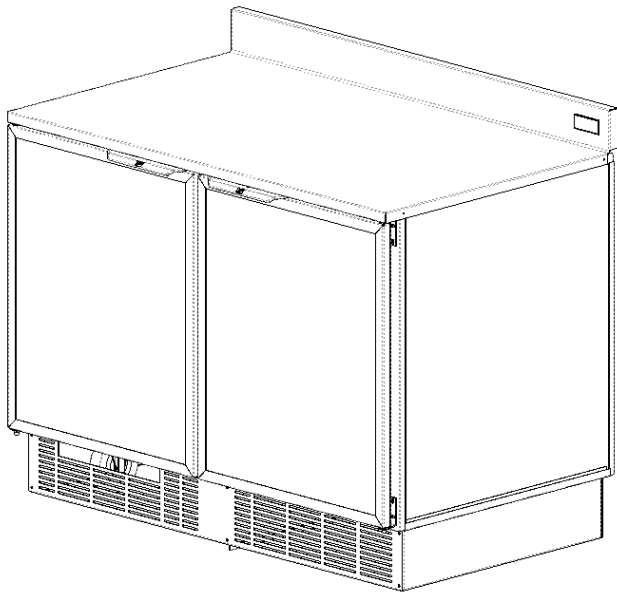




Your Solutions Partner

Specifications

F.O.B. Sedalia, Missouri 65301



Model RUF-48

OPTIONS:

- Color laminate panel inserts

Certifications:



DUKE MANUFACTURING CO.

2305 N. Broadway

St. Louis, MO 63102

800.735.3853 Toll Free

314.231.5074 Fax

www.dukemfg.com

SS-1088 RUF 48 Standard Back Counter

Approval Stamp(s):

PRODUCT INFORMATION:

PROJECT: _____

ITEM: _____

QUANTITY: _____

MODEL: RUF-48

NAME OF UNIT: Duke® Standard Refrigerated Back Counter

- RUF-48 48" Standard Refrigerated Back Counter

TOP:

- One piece, 18 gauge, 300 Series stainless steel
- 4" Riser at rear

BODY:

- Replaceable laminate on doors and body sides
- Kick plates are painted 16 gauge, A40 galvanized steel
- Casters are standard
- Blowing Agent for foam insulation - Ecomate (zero ODP, zero GWP, VOC exempt, Montreal and Kyoto compliant)

REFRIGERATION CABINET:

- Enclosed refrigerated cabinet
- 2 Insulated doors with replaceable gasket
- Doors have full length solid rod hinge design for durability
- 300 Series stainless steel interior
- Insulated with environmentally friendly foam insulation with zero Ozone Depleting Potential (ODP), zero Global Warming Potential (GWP), and is Kyoto and Montreal protocol compliant
- Cabinet will hold food cold in the range of 33F – 40F
- Plastic coated wire shelves supplied
- Interior storage is 11.09 cubic feet
- 6ft. Cord and plug

REFRIGERATION SYSTEM:

- Conventional air over coil
- 1/5 hp compressor (Fractional Horsepower/ Hermetically Sealed)
- Disposable filter accessible from the front of the unit
- Uses 513a Refrigerant

Specification subject to change

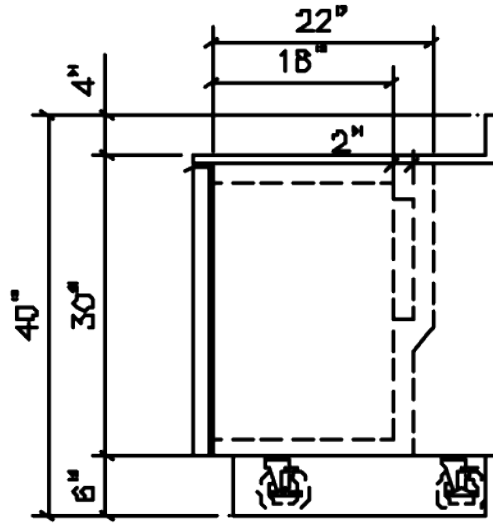
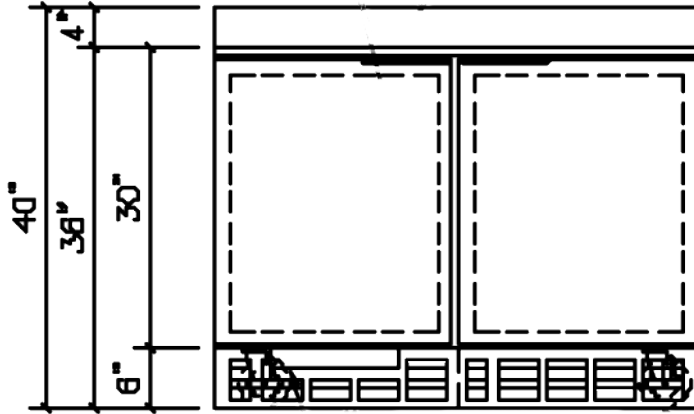
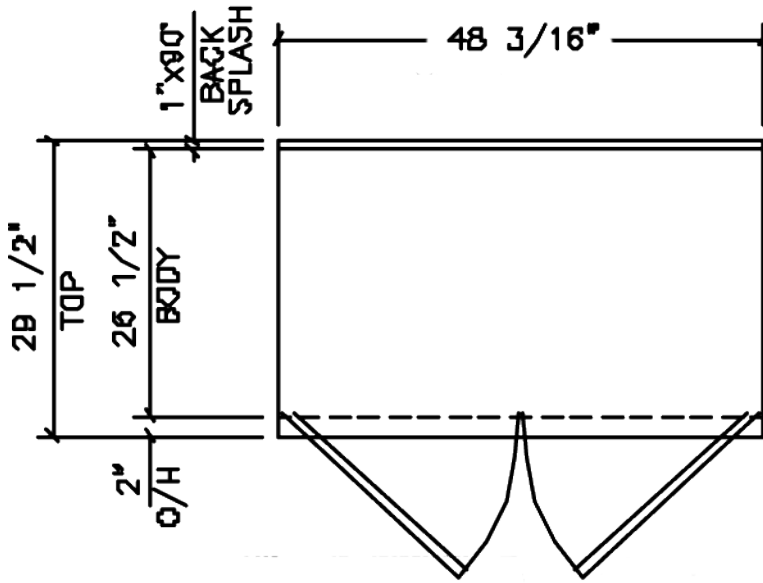
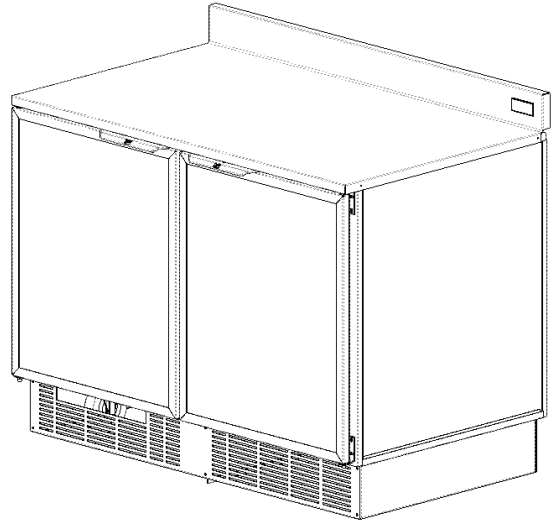


Refrigerated Back Counter: RUF-48

Catalog No. : RUF-48

A.I.A. File No. 35-C-13

RUF-48



DIMENSIONS:

Freight Class: 115

| Model | Height | | Width | | Depth | | Cube ft. crated | Crated Ship Weight | |
|----------|--------|--------|-------|--------|-------|-------|-----------------|--------------------|--------|
| | in. | cm | in. | cm | in. | cm | | lbs. | kg |
| RUF-48 M | 39.75 | 100.97 | 48.1 | 122.17 | 29.5 | 74.93 | 77 | 344 | 156.04 |

ELECTRICAL SPECIFICATIONS:

| Model | Volts | Frequency (Hz) | Amps | Watts (Label) | Refrigerant |
|----------|-------|----------------|------|---------------|-------------|
| RUF-48 M | 120 | 60 | 4.2 | N/A | R-513A |
| RUF-48 M | 220 | 60 | 2.7 | 590 | 134A |
| RUF-48 M | 230 | 50 | 2.5 | 580 | 134A |
| RUF-48 M | 230 | 50 | 2.3 | 530 | R290 |



Duke Manufacturing Co.
 2305 N. Broadway
 St. Louis, MO 63102

Phone: 314-231-1130
 Toll Free: 1-800-735-3853
 Fax: 314-231-5074

www.dukemfg.com