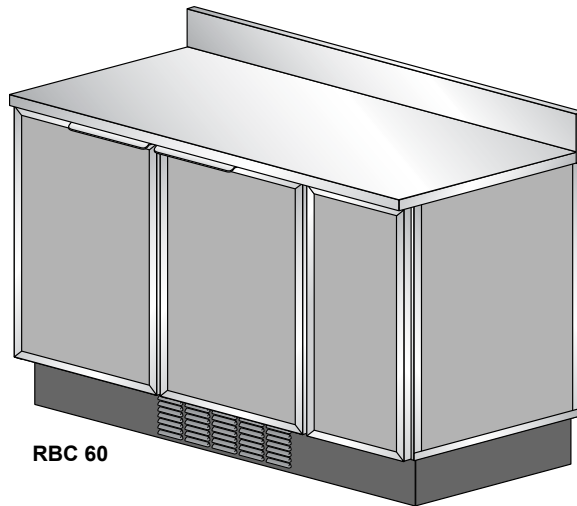


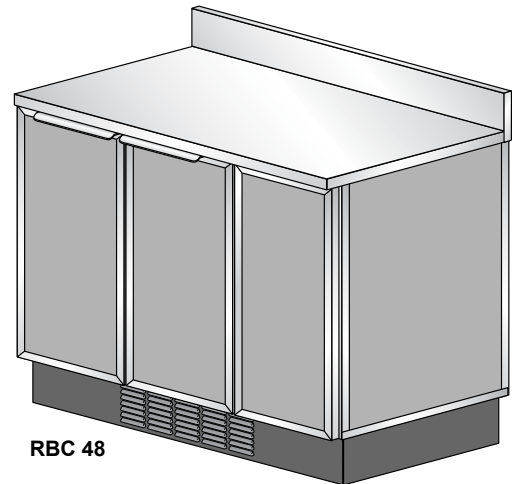


Your Solutions Partner

Illustrated Parts List



RBC 60



RBC 48

REFRIGERATED BACK COUNTER

MODEL: RBC 48

RBC 60 (*Ending Serial # 03172774, Built 3/24/2017*)

*This manual is Copyright © 2019 Duke Manufacturing Co. All rights reserved.
Reproduction without written permission is prohibited. Duke is a registered
trademark of the Duke Manufacturing Company.*

Duke Manufacturing Company

**2305 N. Broadway
St. Louis, MO 63102
Phone: 314-231-1130
Toll Free: 1-800-735-3853
Fax: 314-231-5074
www.dukemfg.com**

How to Determine Manufacture Date from Duke Equipment Serial Numbers

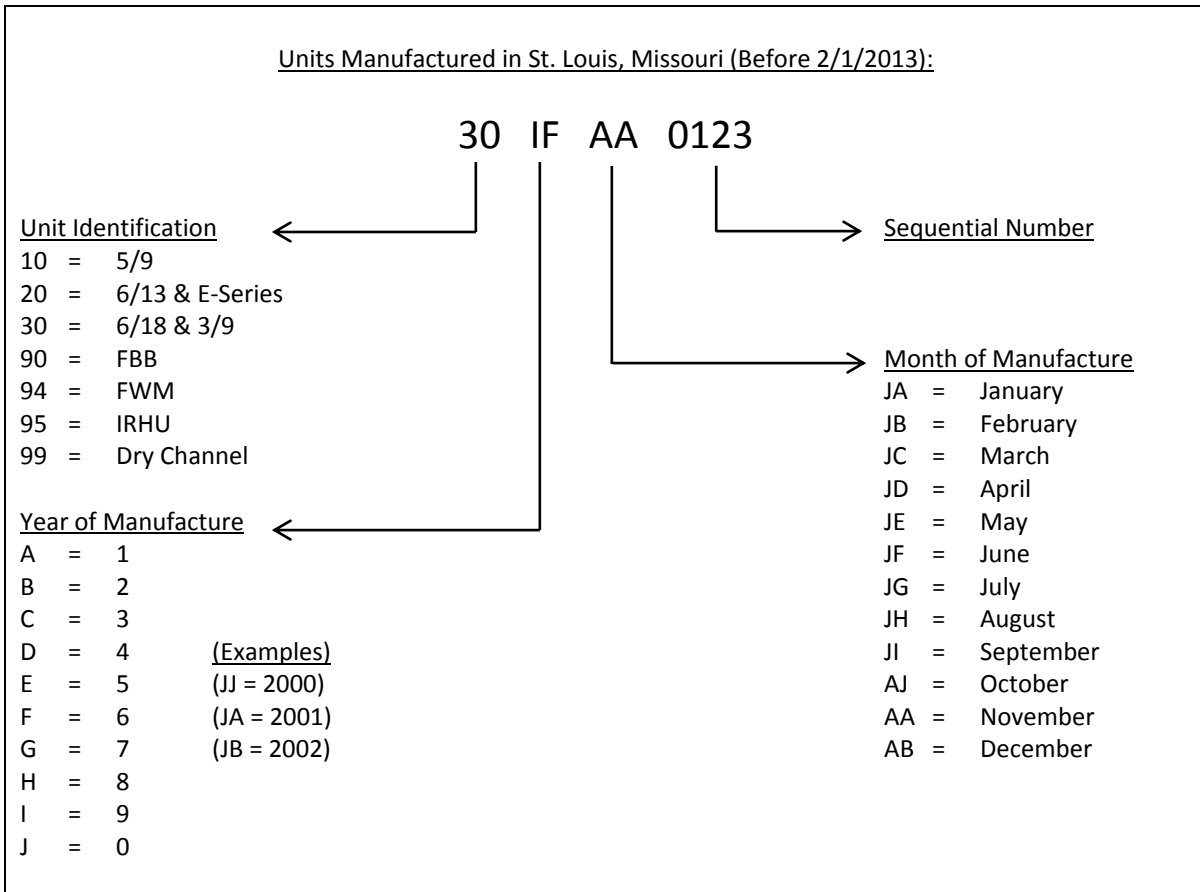
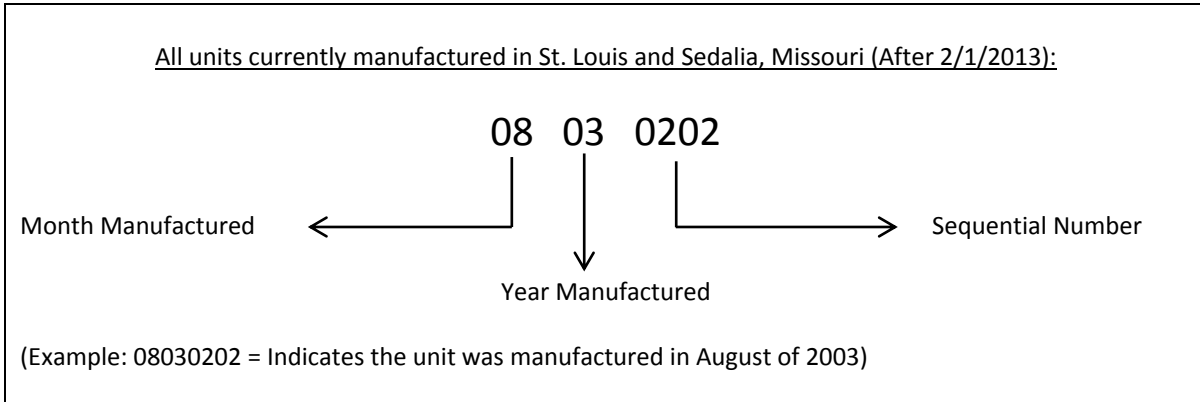


TABLE OF CONTENTS

MAIN CABINET	4
Table: PL-1 Main Cabinet Components	4
Figure: PL-1 Main Cabinet Components	5
MAIN CABINET DOOR COMPONENTS	6
Table: PL-2 Main Cabinet Door Components	6
Figure: PL-2 Main Cabinet Door Components	7
REFRIGERATED COMPARTMENT DOOR COMPONENTS	8
Table: PL-3 Refrigerated Compartment Door Components	8
Figure: PL-3 Refrigerated Compartment Door Components	8
REFRIGERATION SYSTEM UNIT COMPONENTS	9
Table: PL-4 Refrigeration System Unit Components	9
Figure: PL-4 Refrigeration System Unit Components	10
WIRE DIAGRAMS	11
CUSTOMER ASSISTANCE	13

MAIN CABINET COMPONENTS

ITEM	QTY.	PART NO.	DESCRIPTION	MODEL USAGE
1	2	253951	Angle Trim Front	RBC48 & RBC60
2	1	DOOR-RBC48L-FHP	Left Door RBC48 Fort Hill Pear	RBC48
	1	DOOR-RBC48R-FHP	Right Door RBC48 Fort Hill Pear	RBC48
	1	DOOR-RBC60L-FHP	Left Door RBC60 Fort Hill Pear	RBC60
	1	DOOR-RBC60R-FHP	Right Door RBC60 Fort Hill Pear	RBC60
3	1	DR-RBC-MECH-FHP	Door, Mechanical Compartment, Fort Hill Pear	RBC48 & RBC60
4	1	253988	Kick Plate, Front – <i>Used Until 6/30/2007</i>	RBC48
	1	255455	Kick Plate, Adjustable – <i>Used After 6/30/2007</i>	RBC48
	1	251651	Kick Plate, Rear, 48 In – <i>Used After 6/30/2009</i>	RBC48
	1	253989	Kick Plate, Front – <i>Used Until 6/30/2007</i>	RBC60
	1	255456	Kick Plate, Adjustable – <i>Used After 6/30/2007</i>	RBC60
	1	251658	Kick Plate, Rear 60 In – <i>Used After 6/30/2009</i>	RBC60
5	2	254145	Kick Plate, End 27, Clip Mount – <i>Used Until 6/30/2007</i>	RBC48 & RBC60
	2	251663	Kick Plate, End 27, Clip Mount – <i>Used After 6/30/2007</i>	RBC48 & RBC60
6	8	0063150S	Clamp, Kick Plate – <i>Used Until 6/30/2007</i>	RBC48 & RBC60
7	4	214556	Leg Assembly, Galvanized, 6 In	RBC48 & RBC60
Not Shown	4	214524	Caster, 5" Swivel W/Brake	RBC48 & RBC60
8	6	251420	Hinge, Door, Back Counter	RBC48 & RBC60
9	1	214947	Filter, 9.375 X 9.875 X .3125	RBC48 & RBC60
10	2	253948	Angle Trim, Bottom	RBC48 & RBC60
11	2	253949	Angle Trim, Back	RBC48 & RBC60
12	2	RS003089	Laminate, End, Font Hill Pear	RBC48 & RBC60
13	2	256012	Asy, Top RBC 48 120V	RBC48
	2	256013	Asy, Top RBC 48 220V	RBC48
	2	256014	Asy, Top RBC 60 120V	RBC60
	2	256015	Asy, Top RBC 60 220V	RBC60

Refrigeration System Units:

(120V & 230V Models Produced from 4/14/04 thru 3/14/11, Serial #s Prior to 03111694)

1	259461	Kit, RBC Mech Assy, 120V 60HZ, W/Mech TC	RBC48 & RBC60
1	259462	Kit, RBC Mech Assy, 230V 50HZ, W/Mech TC	RBC48 & RBC60

(120V Models Produced 3/14/11 - 6/2011, Serial #s 03111694 thru 06113534)

1	259466	Kit, RBC Mech Assy, 120V 60HZ, W/Mech TS	RBC48 & RBC60
---	--------	--	---------------

(230V Models Produced 3/14/11 - 7/2012, Serial #s 03111694 thru 07120770)

1	259467	Kit, RBC Mech Assy, 230V 50HZ, W/Mech TS	RBC48 & RBC60
---	--------	--	---------------

(Current 120V Production Models Produced Since 6/2011, Serial #s beginning at 06113535)

1	259463	Kit, RBC Mech Assy, 120V 60HZ, W/LAE	RBC48 & RBC60
---	--------	--------------------------------------	---------------

(Current 220V Production Models)

1	259464	Kit, RBC Mech Assy, 220V 60HZ, W/LAE	RBC48 & RBC60
---	--------	--------------------------------------	---------------

(Current 230V Production Models Produced Since 7/2012, Serial #s Beginning at 07120771)

1	259465	Kit, RBC Mech Assy, 230V 50HZ, W/LAE	RBC48 & RBC60
---	--------	--------------------------------------	---------------

Table: PL-1 Main Cabinet Components

MAIN CABINET COMPONENTS

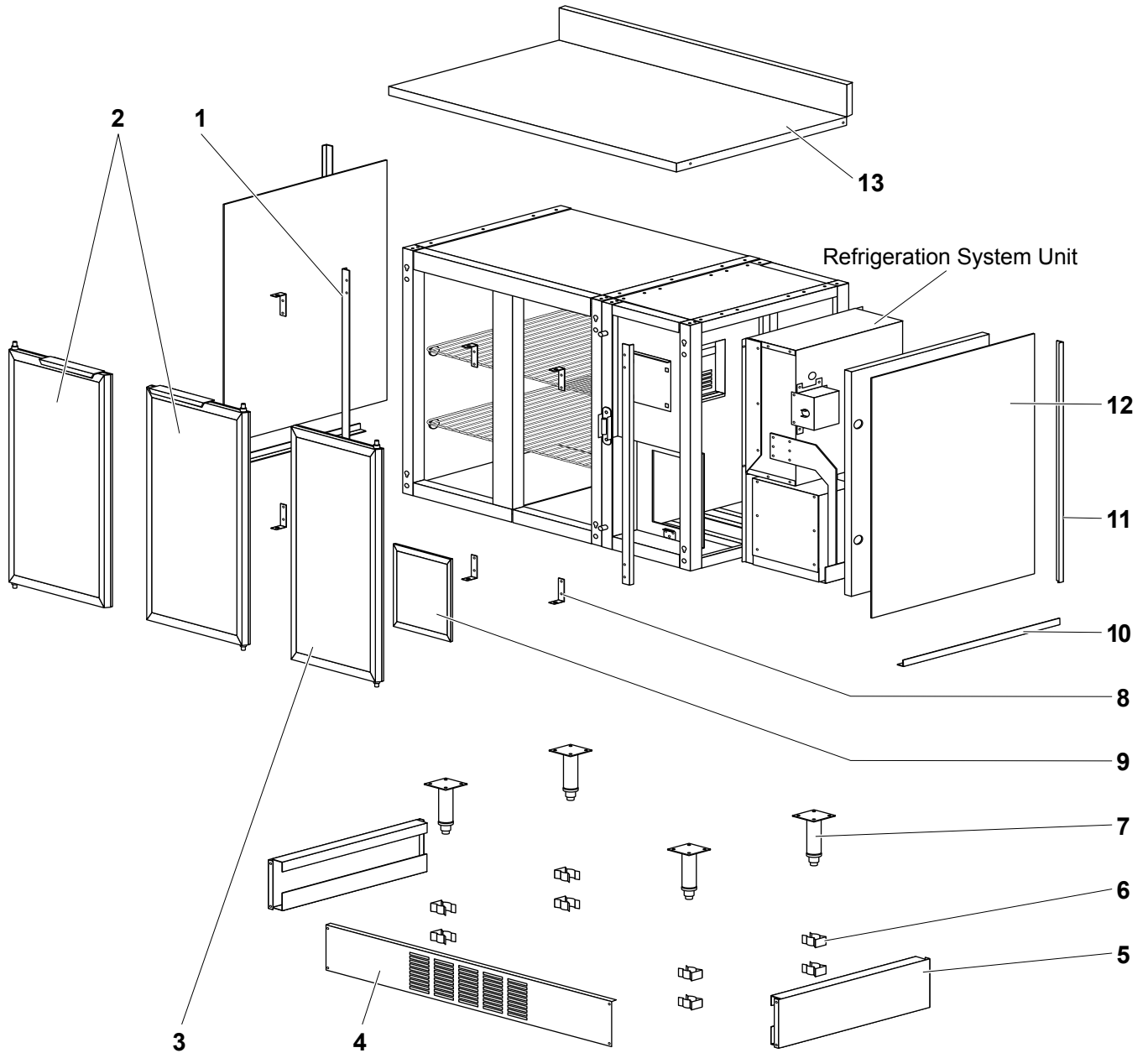


Figure: PL-1 Main Cabinet Components

MAIN CABINET DOOR COMPONENTS

ITEM	QTY.	PART NO.	DESCRIPTION	MODEL USAGE
14	1	256103	Angle Trim Door 48 TL/BR	RBC48
14	1	256104	Angle Trim Door 60 TL/BR	RBC60
15	1	216760	Gasket Magnetic Door 48" RBC	RBC48
15	1	216761	Gasket Magnetic Door 60" RBC	RBC60
16	2	254140	Panel Bottle Holder 48	RBC48
16	2	254141	Panel Bottle Holder 60	RBC60
17	2	213324	"E" - Clip for 3/8" Rod	RBC48 & RBC60
18	2	215045	Bronze Bushing	RBC48 & RBC60
19	1	255704	Laminate Door 48" Font Hill Pear	RBC48
19	1	221551	Laminate Door 60" Font Hill Pear	RBC60
20	1	253430	Handle, Door, S.S. - <i>Used until 2/3/2007</i>	RBC48 & RBC60
20	1	255941	Handle, Door, Painted - <i>Used 2/3/2007 - 4/2009</i>	RBC48 & RBC60
20	1	225139	Handle, Door, Aluminum - <i>Used after 4/2007</i>	RBC48 & RBC60
21	1	215319	Rod Hinge S.S. 29 5/8"	RBC48 & RBC60

Table: PL-2 Main Cabinet Door Components

MAIN CABINET DOOR COMPONENTS

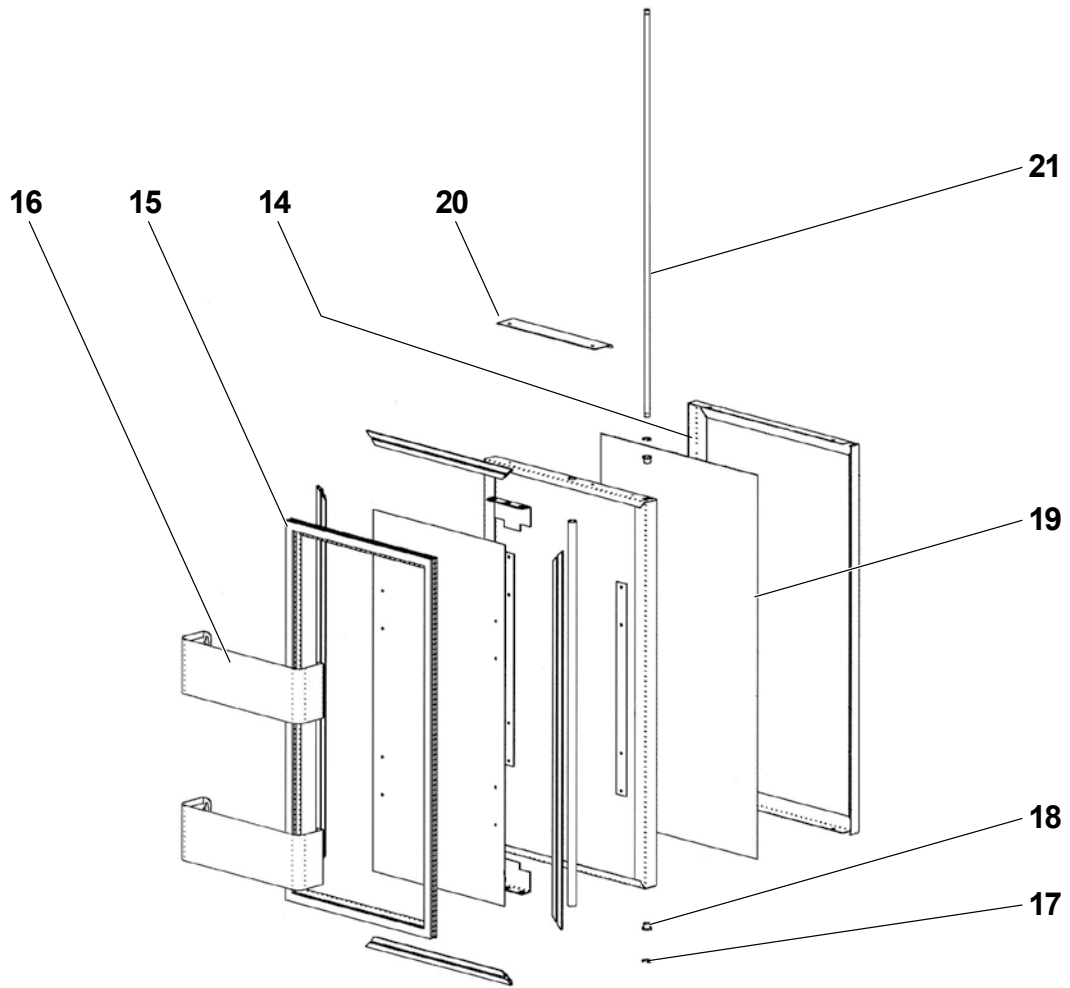


Figure: PL-2 Main Cabinet Door Components

REFRIGERATED COMPARTMENT DOOR COMPONENTS

ITEM	QTY.	PART NO.	DESCRIPTION	MODEL USAGE
23	1	256102	Angle Trim, Door Mech.	RBC48 & RBC60
24	2	213324	"E" - Clip for 3/8" Rod	RBC48 & RBC60
25	2	215045	Bronze Bushing	RBC48 & RBC60
26	1	221550	Laminate, Mechanical Panel, Font Hill Pear	RBC48 & RBC60
27	1	215319	Rod Hinge S.S. 29 5/8"	RBC48 & RBC60

Table: PL-3 Refrigerated Compartment Door Components

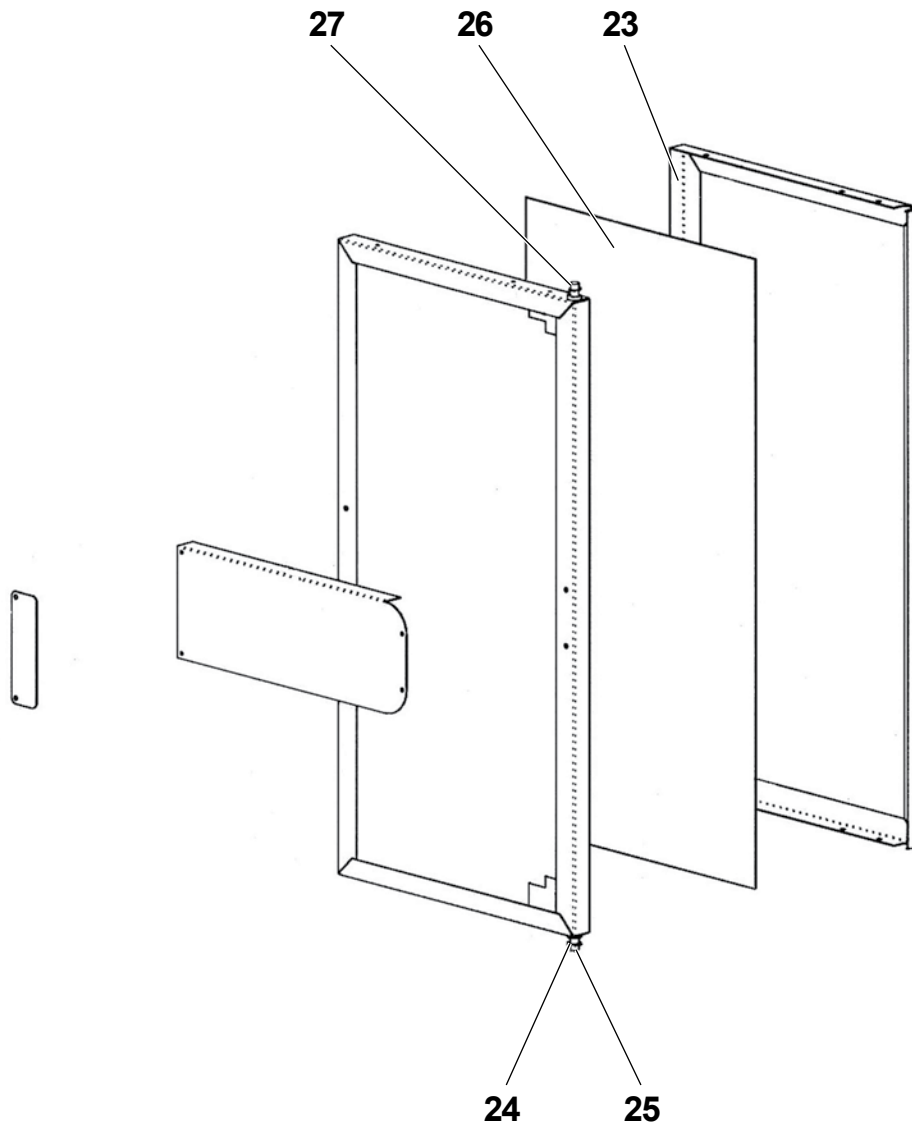


Figure: PL-3 Refrigerated Compartment Door Components

REFRIGERATION SYSTEM UNIT COMPONENTS

ITEM	QTY.	PART NO.	DESCRIPTION	MODEL USAGE
29	1	COLD-KIT	Thermostat (<i>216643 Thermostat</i>)	RBC48 & RBC60
	1	216830	Thermostat, 220/230V, 50/60Hz LAE AD2-28	RBC48 & RBC60
30	1	226944	Unit Cond. 1/5 HP R-134A 120V 60Hz	RBC48 & RBC60
	1	216473	Unit Cond. 1/5 HP R-134A 220V 50 Hz	RBC48 & RBC60
	1	226486	Unit Cond. 1/5 HP 220V 60Hz	RBC48 & RBC60
	1	226491	Unit Cond. 220V 60HZ	RBC48 & RBC60
Not Shown	1	217808	Fan Motor (<i>Ref-71136</i>)	RBC48 & RBC60
Not Shown	1	217811	Fan Motor (<i>Ref-216473</i>)	RBC48 & RBC60
Not Shown	1	227913	Fan Motor (<i>Ref-226486 & 226491</i>)	RBC48 & RBC60
Not Shown	1	217809	Fan Blade (<i>Ref-71136, 216473 & 226491</i>)	RBC48 & RBC60
Not Shown	1	217829	Fan Blade (<i>Ref-226486</i>)	RBC48 & RBC60
Not Shown	1	226930	Thermostat, 120/230V, 50/60Hz, BIT25	RBC48 & RBC60
<i>(BIT25 Thermostat 226930 replaces LAE Thermostats 216827 & 216830 - Installing 226930 in a 220/230V unit built prior to 10/18/2017, may also require changing the wire harness from 222555 to ELC0185)</i>				
Not Shown	1	226919	Control Module, LAE BIT25B1S3W-1JW (<i>Ref-226930</i>)	RBC48 & RBC60
Not Shown	1	216832	Display, LAE AD2-28 (<i>Ref-226930</i>)	RBC48 & RBC60
Not Shown	1	226890	Ribbon Cable 2M, LAE AD2-28 (<i>Ref-226930</i>)	RBC48 & RBC60
Not Shown	1	216834	Sensor T1, LAE AD2-28, Light Gray (<i>Ref-226930</i>)	RBC48 & RBC60
Not Shown	1	226838	Sensor T2, LAE AD2-28 Blue (<i>Ref-226930</i>)	RBC48 & RBC60
31	1	226774	Evaporator Coil	RBC48 & RBC60
32	2	71138	Evaporator Fan Assy, 5A145-175P	RBC48 & RBC60
	2	216788	Evaporator Fan Assy, 220/230V 50/60Hz	RBC48 & RBC60
33	1	527876	Compressor, 120V, 60Hz (<i>Ref-71136</i>)	RBC48 & RBC60
	1	217887	Compressor, 220V, 50Hz (<i>Ref-216473</i>)	RBC48 & RBC60
	1	227912	Compressor, 220V, 60Hz (<i>Ref-226486 & 226491</i>)	RBC48 & RBC60
34	1	Sub-Mullion-120	Mullion Heater Assembly, 120V, 60Hz	RBC48 & RBC60
	1	Sub-Mullion-220	Mullion Heater Assembly, 220V, 50Hz	RBC48 & RBC60
35	1	217843	Start Capacitor, 120V, 60Hz	RBC48 & RBC60
	1	217864	Start Capacitor, 220V, 50Hz	RBC48 & RBC60
	1	217847	Start Capacitor, 220V, 60Hz (<i>Ref-226486 & 226491</i>)	RBC48 & RBC60
36	1	217878	Relay, 120V, 60Hz	RBC48 & RBC60
	1	217886	Relay, 220V, 50Hz	RBC48 & RBC60
	1	217911	Relay, 220V, 60Hz (<i>Ref-226486 & 226491</i>)	RBC48 & RBC60
37	1	217877	Protector, 120V, 60Hz	RBC48 & RBC60
	1	217862	Protector, 220V, 50Hz	RBC48 & RBC60
	1	217849	Protector, 220V, 60Hz (<i>Ref-226486 & 22691</i>)	RBC48 & RBC60
38	1	253928	Pan Liner Drain	RBC48 & RBC60
Not Shown	10 ft	216600	Cap, Tube .093 OD x .042 ID	RBC48 & RBC60
Not Shown	4	216773	Rack, RBC48 Wire	RBC48
Not Shown	4	216774	Rack, RBC60 Wire	RBC60
Not Shown	4	213019	Rack Support, Spacer	RBC48 & RBC60
Not Shown	8	214728	Rack Support, Lugs	RBC48 & RBC60
Not Shown	1	216843	Digital Display, 220V, 50Hz	RBC48 & RBC60
Not Shown	1	256896	Cover, Evap w/Drip Flange	RBC48 & RBC60

Table: PL-4 Refrigeration System Unit Components

REFRIGERATION SYSTEM UNIT COMPONENTS

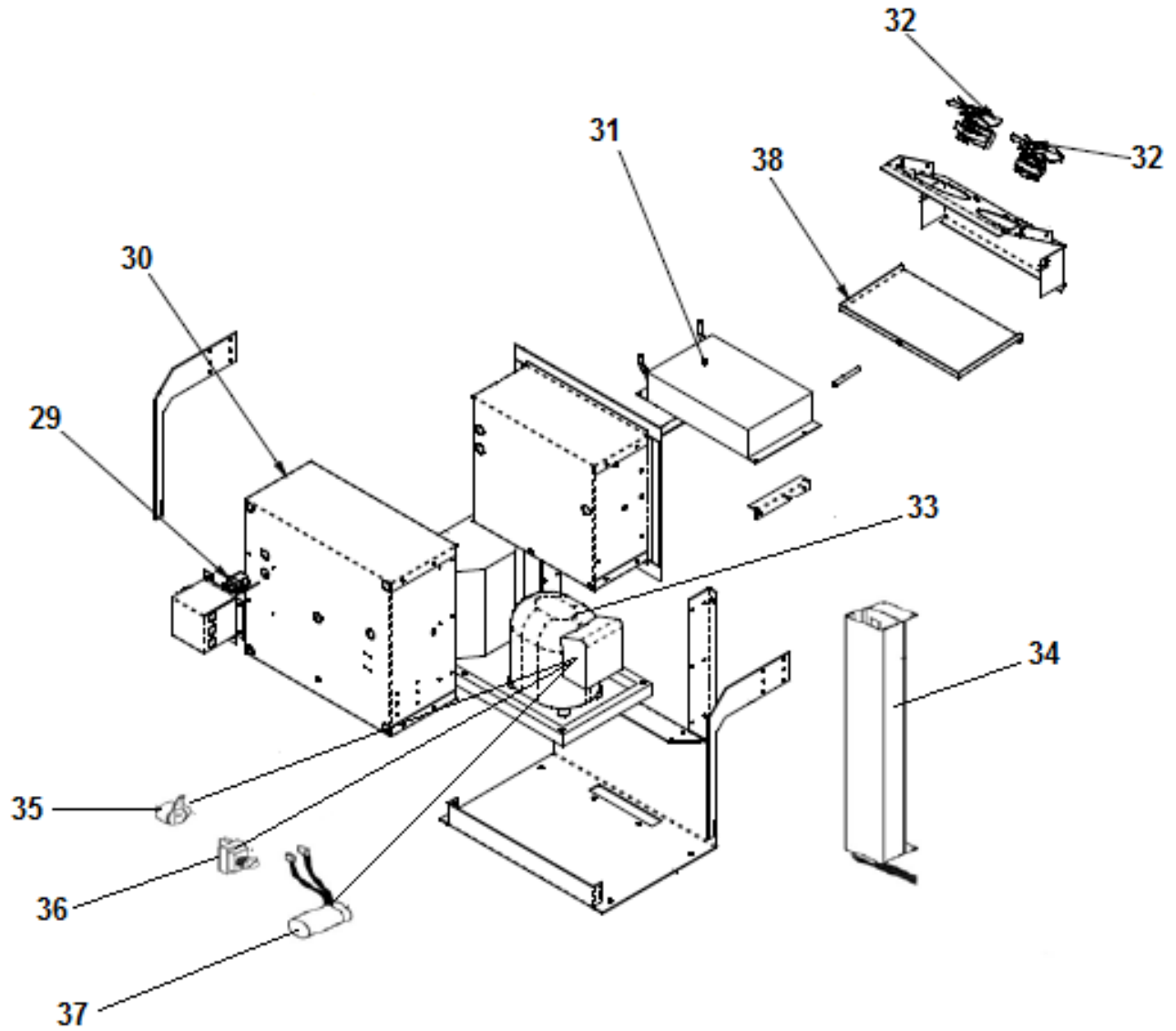
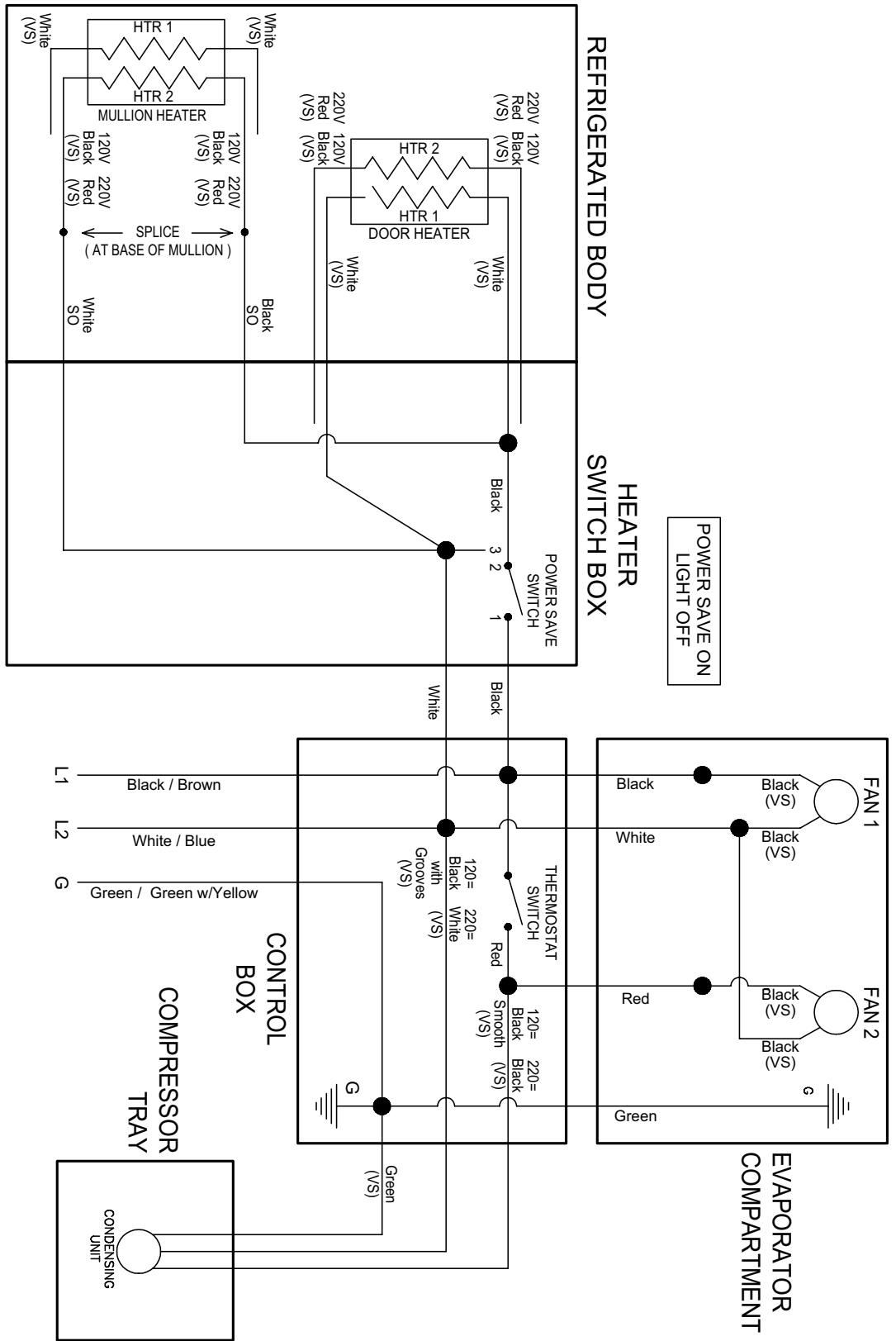
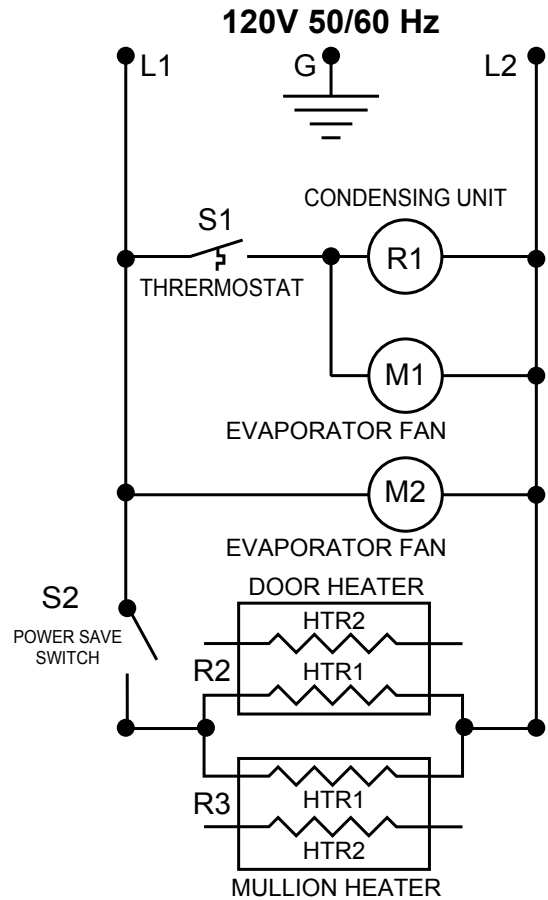
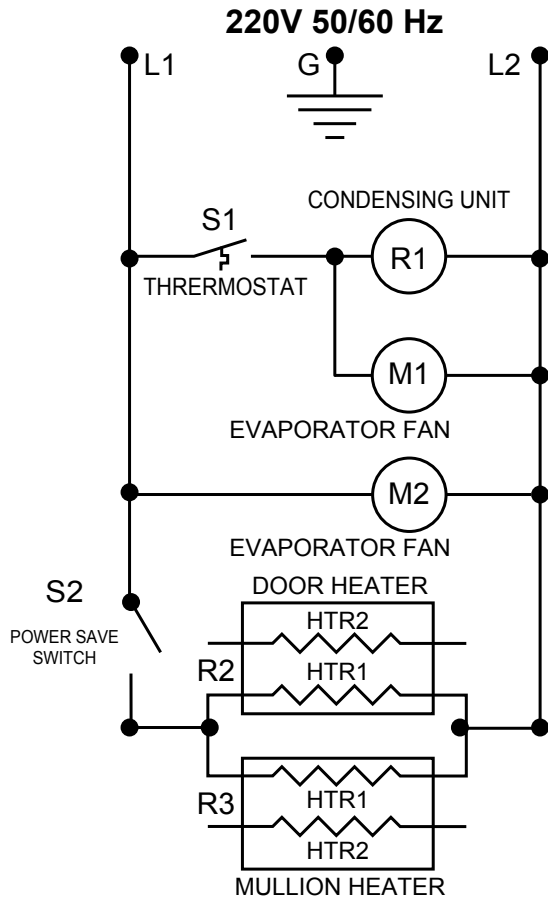


Figure: PL-4 Refrigeration System Unit Components



(VS = Vendor Supplied)

Subject to change



NOTE: HTR2 IS A FAULT BACKUP FOR HTR1 IN THE HEATER ASSEMBLIES.

Notes:



Duke Manufacturing Co.

2305 N. Broadway • St. Louis, MO 63102

800-735-3853 • 314-231-1130

Fax: 314-231-5074

www.dukemfg.com