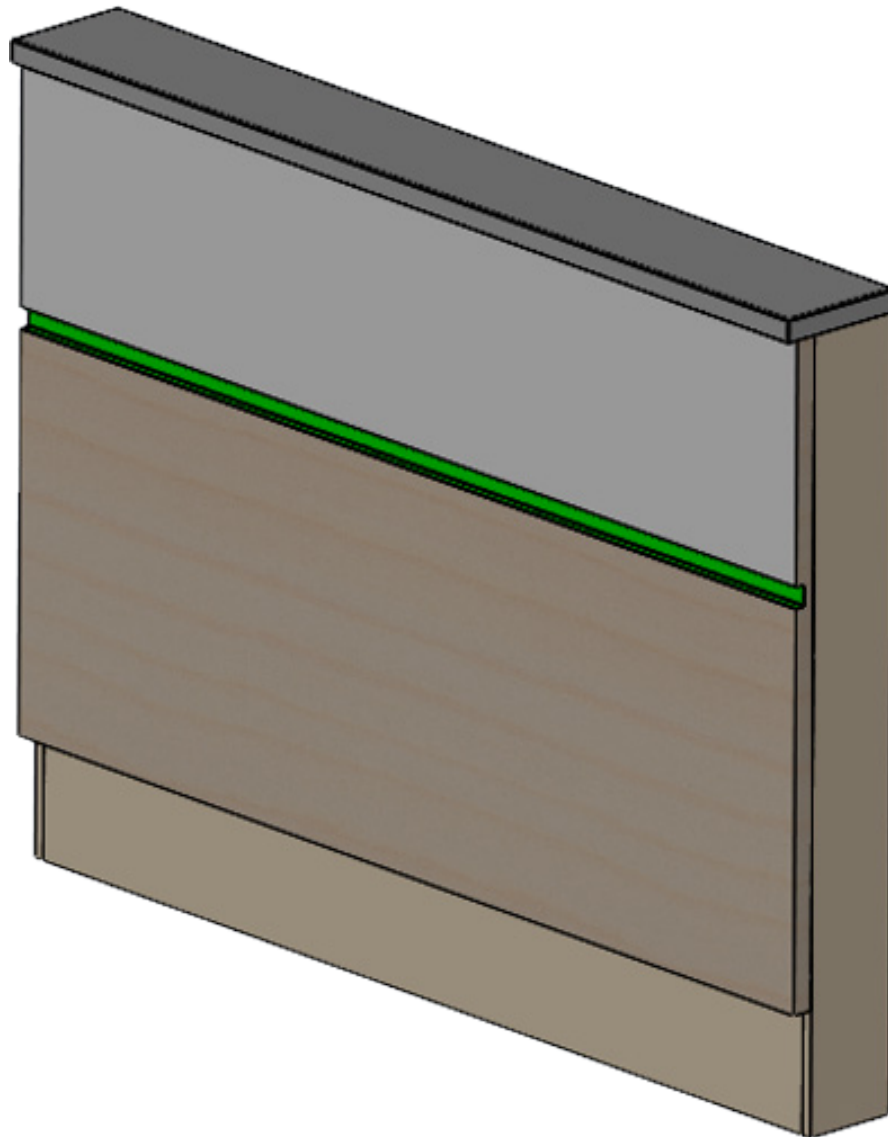




Your Solutions Partner

Installation Manual

Field Built Wall Décor Panel



CAUTION: Please read this manual completely before attempting to install, operate or service this equipment

 **WARNING** for CA residents: go to www.dukemfg.com/prop65 for prop 65 warning

*This manual is Copyright © 2020 Duke Manufacturing Co. All rights reserved.
Reproduction without written permission is prohibited. Duke is a registered
trademark of the Duke Manufacturing Co.*

**P/N 529814
REV A 07/27/2020**

IMPORTANT SAFETY INSTRUCTIONS

Throughout this manual, you will find the following safety words and symbols that signify important safety risks with regards to operating or maintaining the equipment.



Indicates a hazardous situation which, if not avoided, could result in death or serious injury.



Indicates a hazardous situation which, if not avoided, could result in minor or moderate injury.

CAUTION

Indicates Important Information



Indicates electrical shock hazard which, if not avoided, could result in death or serious injury and/or equipment damage.

Tools Needed



Cordless Drill



Tape Measure



Ratchet and 5/16 Socket



5/16 Nut Driver



Pencil



Small Level



Right Angle Cordless Drill Adapter



Hammer



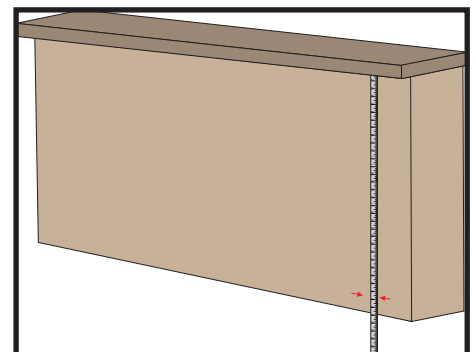
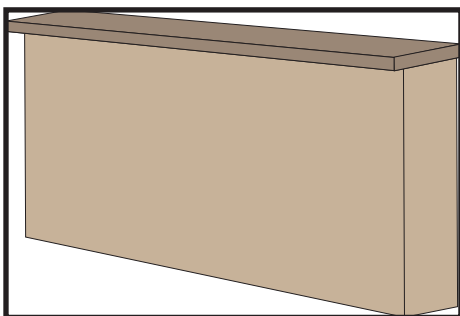
Crowbar

WALL INSTALLATION

- 1 Remove old wall panels.
Note: Do not remove down to studs. Leave plywood cover.

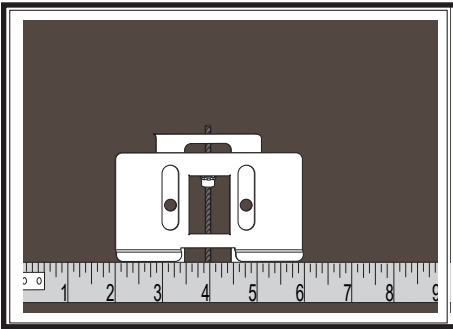
- 2 Start with Décor Panel.
Measure total height.
(E.g. 30.125 and subtract 1/2" = 29.625")

- 3 On the wall, measuring from the bottom of the top plate, place a mark at (e.g. 29.625") Repeat at opposite end of wall.

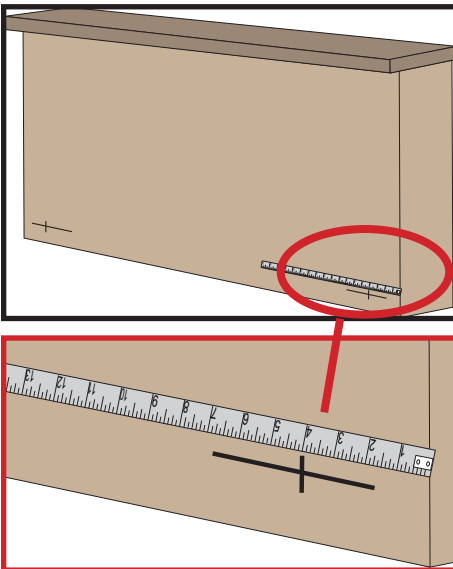


WALL INSTALLATION

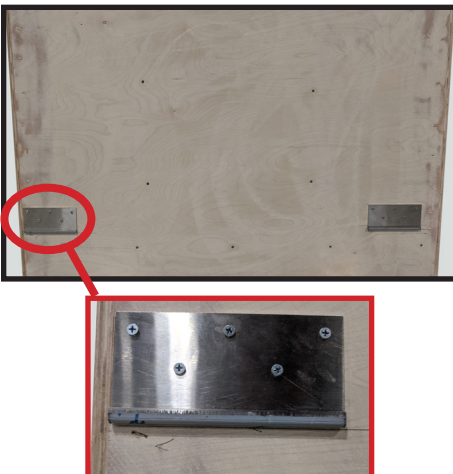
- 4** Take a measurement to center of the adjustable brackets.



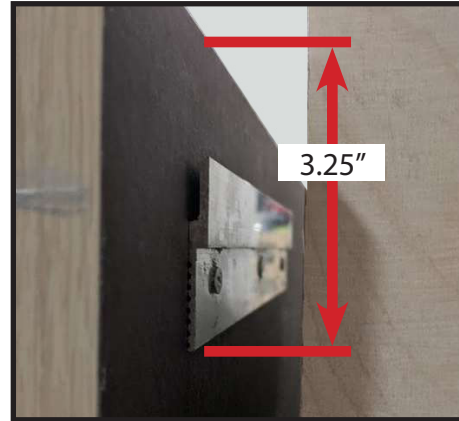
- 5** Transfer dimension on to wall. Repeat for all Brackets.



- 6** Install mounting brackets at each location with bottom of bracket level with lines from above.



- 7** Install Z-Clips onto back of Décor panel above each adjustable bracket. Bottom of Z-Clip to be 3.25" from top of panel.



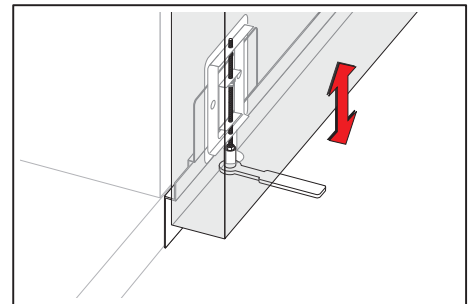
- 8** Install Z-Clips on wall mounted flush with the bottom of the top cap to align with panel Z-Clips.



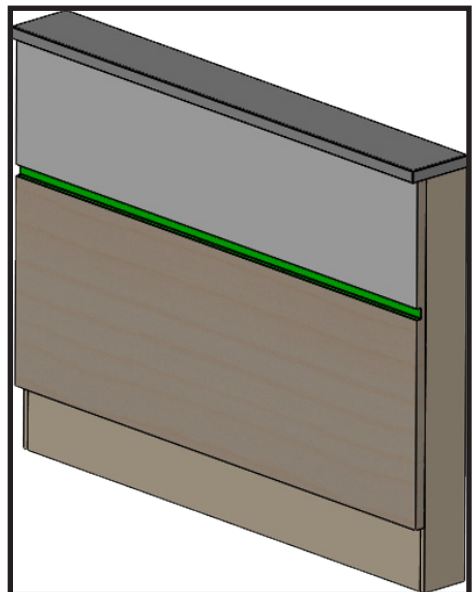
- 9** Install Décor panel by sliding panel up into z-clips and setting adjustable brackets onto the lower mounting bracket.



- 10** Using the 5/16 driver adjust panels until flush with the bottom of the top cap.



- 11** Stainless Steel top cap option to be installed over existing wood top cap.



NOTES



Your Solutions Partner

Duke Manufacturing Co.
2305 N. Broadway
St. Louis, MO 63102

Phone: 314-231-1130
Toll Free: 1-800-735-3853
Fax: 314-231-5074

www.dukemfg.com