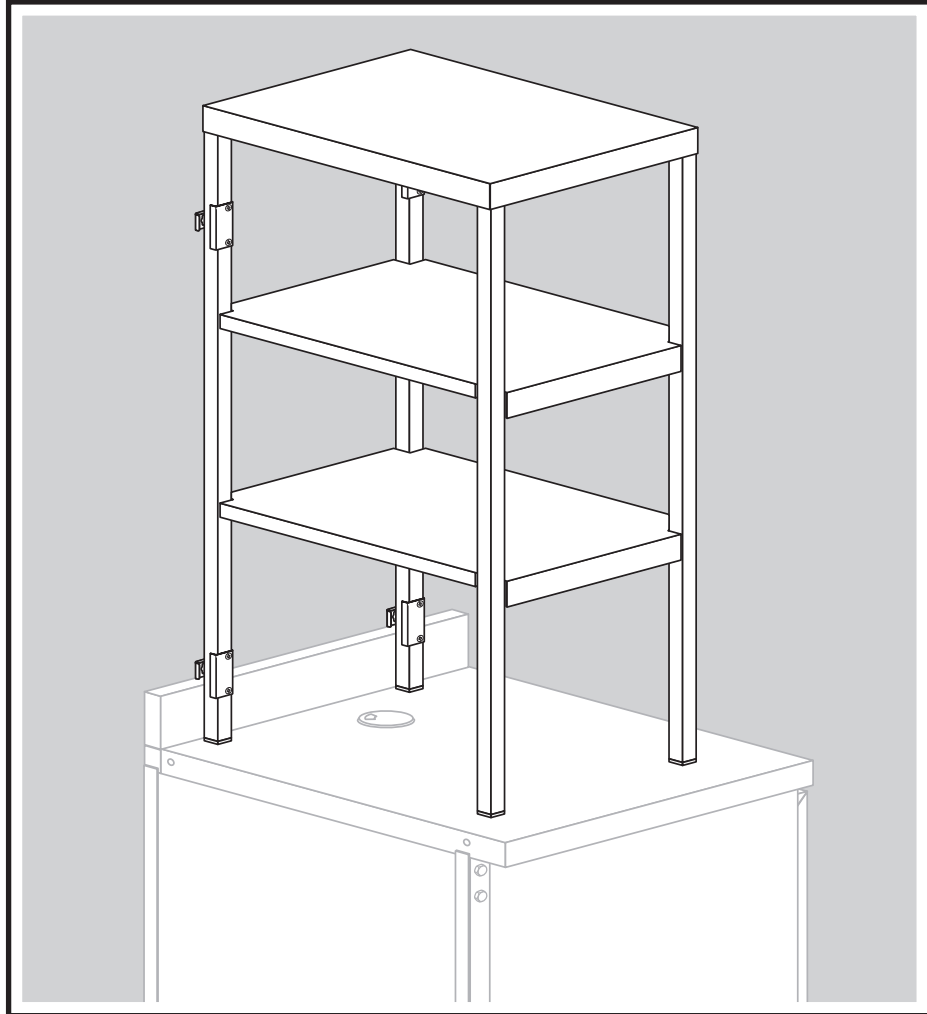




Your Solutions Partner

Installation Manual

Pickup Shelf



Please read this manual completely before attempting to install, operate or service this equipment

*This manual is Copyright © 2018 Duke Manufacturing Co. All rights reserved.
Reproduction without written permission is prohibited. Duke is a registered
trademark of the Duke Manufacturing Co.*

Duke Manufacturing Co.

**2305 N. Broadway
St. Louis, MO 63102
Phone: 314-231-1130
Toll Free: 1-800-735-3853
Fax: 314-231-5074**

www.dukemfg.com

**P/N 529051
REV B 2/1/2018**



TABLE OF CONTENTS

Safety Instructions 3

Tools Hardware and Parts 4

Installation Instructions 5

- Step 1 - Installing Clips 5
- Step 2 -Mounting Shelving Bottom 6
- Step 3 - Mounting Shelving Top..... 6
- Step 4 - Power to Led Lighting 7

Shelf Specifications..... 8



IMPORTANT SAFETY INSTRUCTIONS

Throughout this manual, you will find the following safety words and symbols that signify important safety issues with regards to operating or maintaining the equipment.



Indicates a hazardous situation which, if not avoided, could result in minor or moderate injury.

CAUTION

Indicates Important Information



Indicates electrical shock hazard which, if not avoided, could result in death or serious injury and/or equipment damage.

In addition to the warnings and cautions in this manual, use the following guidelines for safe operation of the unit.

- Read all instructions before using equipment.
- Install or locate the equipment only for its intended use as described in this manual.
- Do not use corrosive chemicals in this equipment.
- This equipment should be serviced by qualified personnel only. Contact the nearest Duke authorized service facility for adjustment or repair.
- Do not block or cover any openings on the unit.

The following warnings and cautions appear throughout this manual and should be carefully observed.

- The procedures in this manual may include the use of chemical products. You must read the Material Safety Data Sheets before using any of these products.
- Disposal of the unit must be in accordance with local environmental codes and/or any other applicable codes.
- This appliance is not intended for use by persons (including children) with reduced physical, sensory or mental capabilities, or lack of experience and knowledge, unless they have been given supervision or instruction concerning use of the appliance by a person responsible for their safety.



Tools, Hardware and Parts

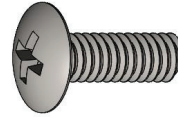
Tools Needed - not included

Tools to secure brackets to wall.



Phillips Screw Driver

Hardware Included

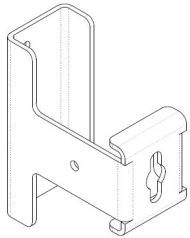


Bolt 10/24X1/2"
12 Ea. PN 213027

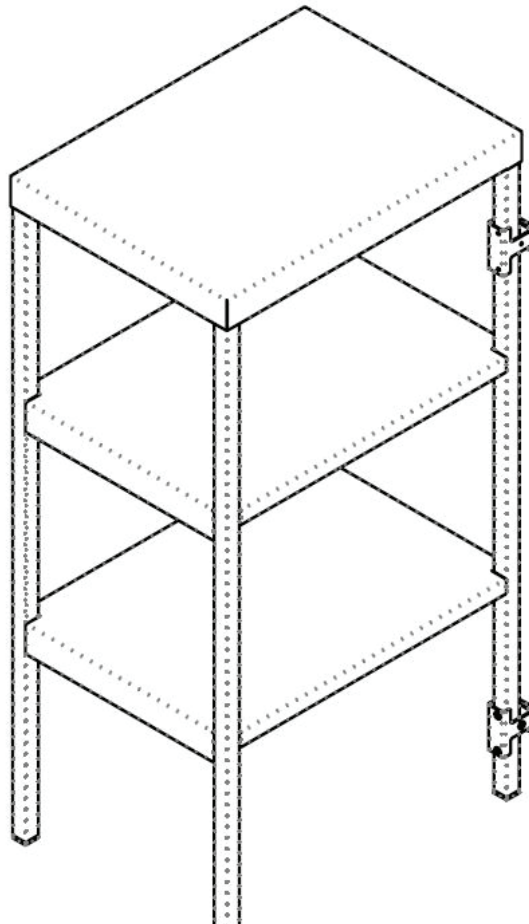


Rubber Caps
12 Ea. PN 213326

Parts Included



Mounting Bracket
4 Ea. PN 2501683



Shelf Unit with LED Lights



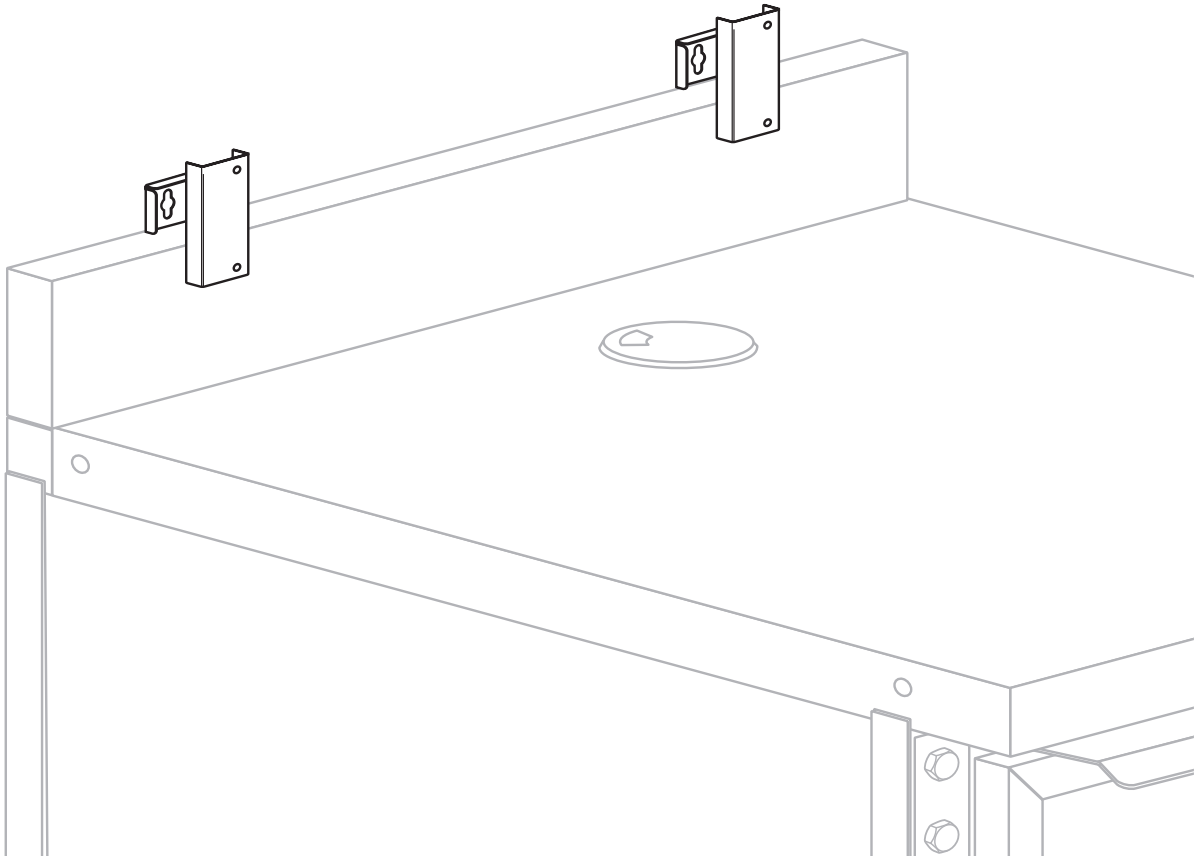
Pickup Shelving Installation

⚠ CAUTION Mounting clips are intended to provide stability. Unit should not hang from clips but stand on legs locked into the mounting clips so the shelving won't tip.

Step 1 Installing Clips

Install top clips with appropriate fastener for wall material (#10 screws into studs etc.)

- Place mounting clip so the bottom flange "hooks" onto the riser of the back counter (if applicable).
- Make sure all brackets face the same direction with the open side.
- Mark holes to drill
- 15.5" spacing horizontal from first pilot hole for the second hole (roughly 40"-42" above finished floor)
- Upper pilot holes (size to be determined on site for studs or drywall anchors) should be approximately 73"-75" above finished floor when installed on 36" tall back counter.

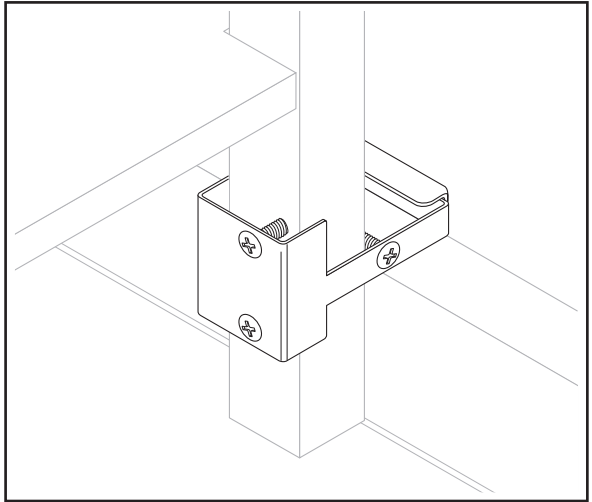


Your Solutions Partner

Pickup Shelving Installation - continued

Step 2 Mounting the Shelving Bottom

- Loosen front set screws (red arrows).
- Position the shelving into the bottom brackets.



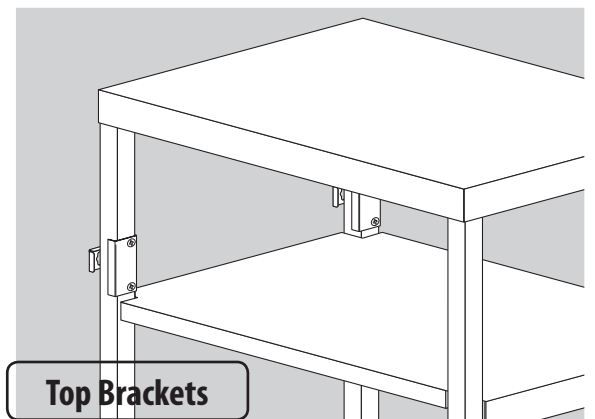
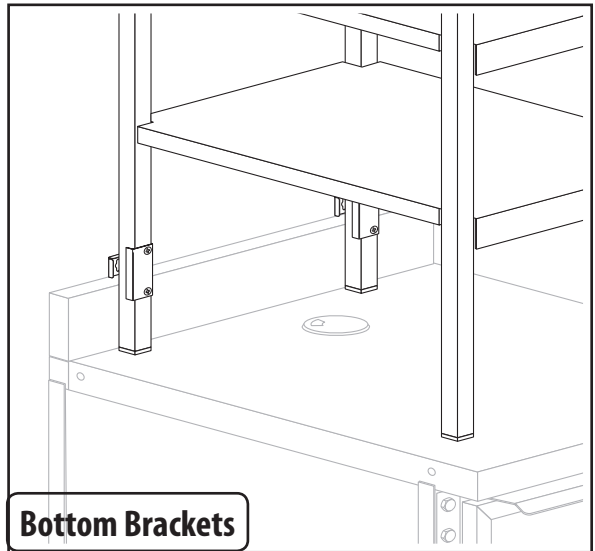
CAUTION Make sure shelf unit is sitting solid on the top.

Note: Make sure led lights are to the front of the unit.

Step 3 Mounting the Shelving Top

The shelving can then be placed into the top brackets through the open side of top brackets.

- Once the shelf is placed inside the brackets, use the front set screws to lock the post into place against the “back stop”
- Tighten screws on all 4 brackets.
- Use Rubber Caps to cover bolt heads.



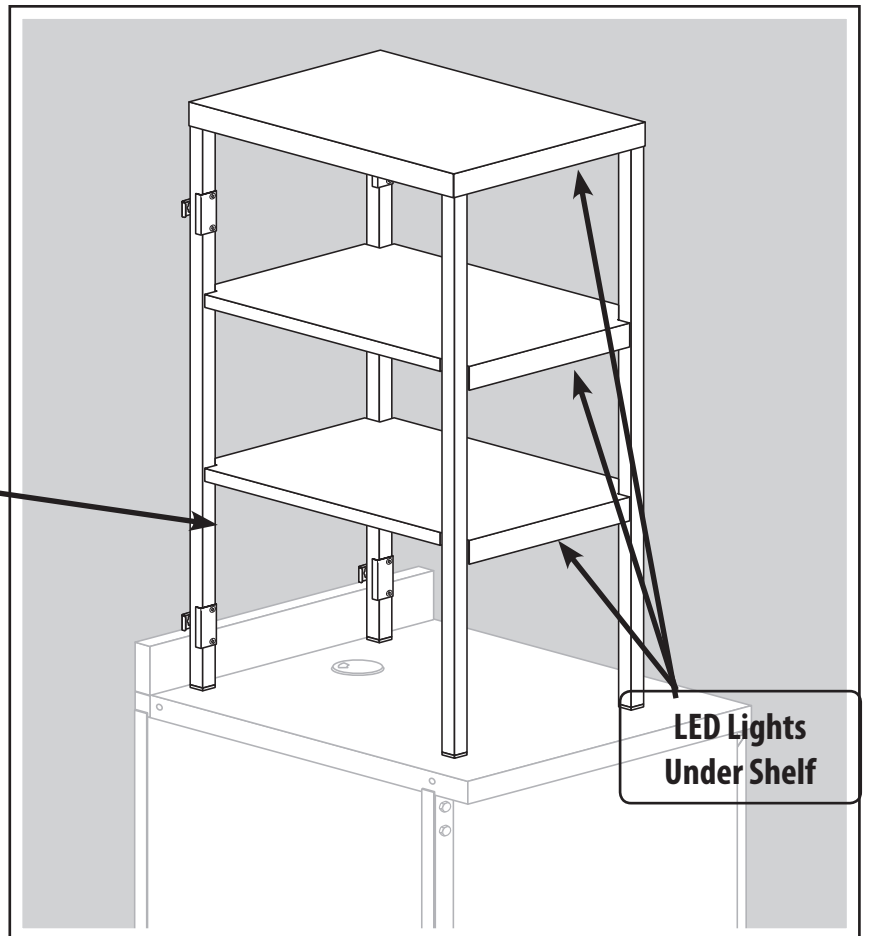
Your Solutions Partner

Pickup Shelving Installation - continued



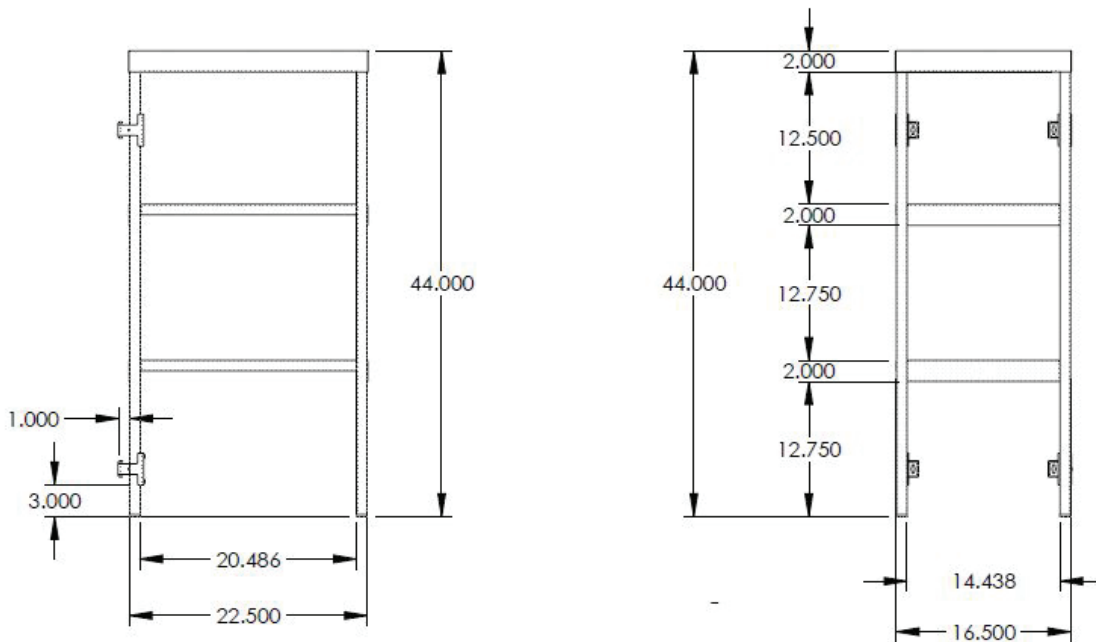
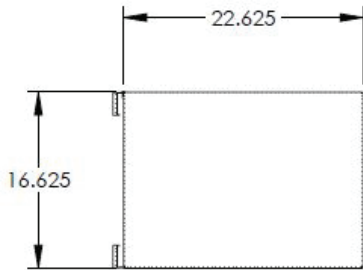
Step 4 Power to LED Lighting

- Lighting is provided for the shelving with led lights on each shelf and a low voltage transformer.
- Run power cord to receptacle avoiding sharp edges and pinch points.
- Lights are mounted on the front of the unit to shine from the customer's perspective.
- The power cable is located on the bottom side of the lowest shelf.





Free Standing Pickup Shelf Specifications



Your Solutions Partner

Duke Manufacturing Co.

2305 N. Broadway
St. Louis, MO 63102
Phone: 314-231-1130
Toll Free: 1-800-735-3853
Fax: 314-231-5074

www.dukemfg.com