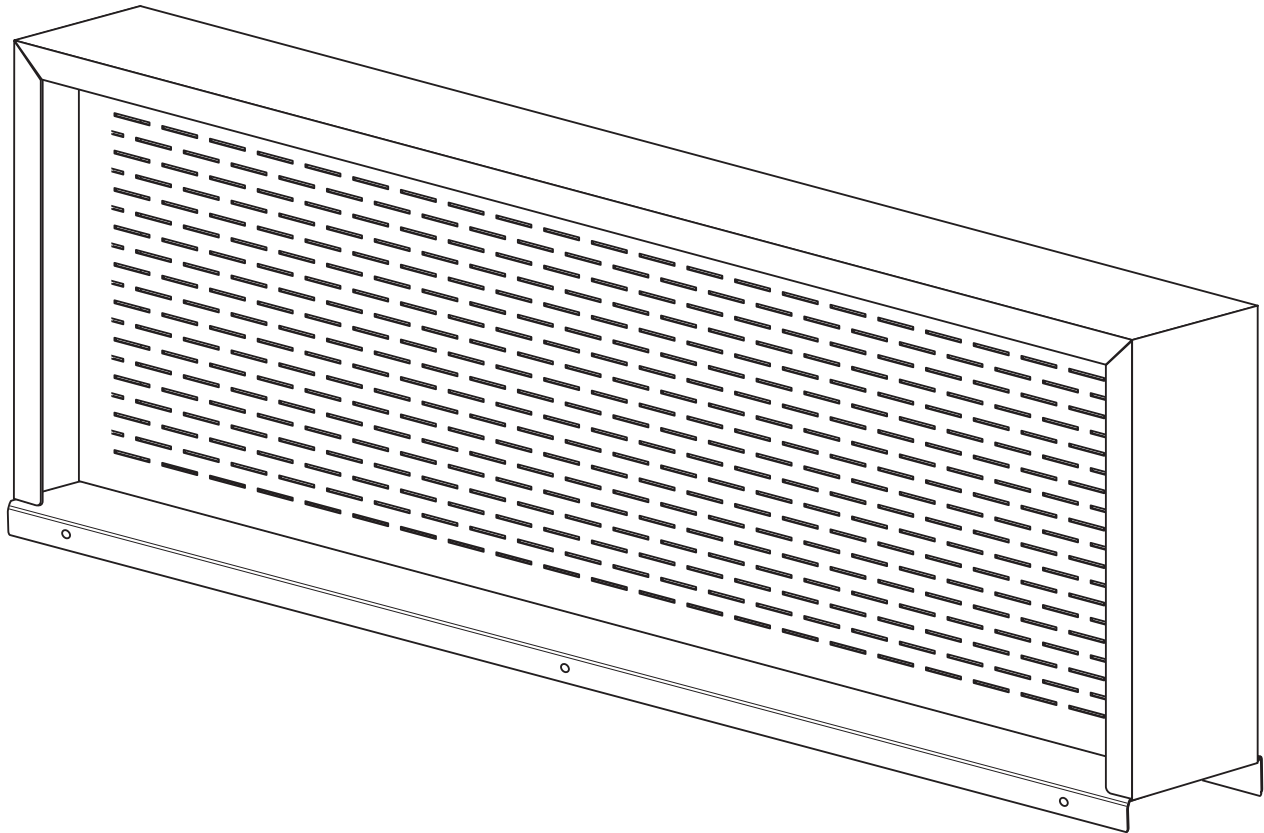




Your Solutions Partner

Installation Instructions

Mesh Wall Topper



**Please read this manual completely before attempting
to install, operate or service this equipment**

*This manual is Copyright © 2017 Duke Manufacturing Co. All rights reserved.
Reproduction without written permission is prohibited. Duke is a registered
trademark of the Duke Manufacturing Co.*

Duke Manufacturing Co.

**2305 N. Broadway
St. Louis, MO 63102
Phone: 314-231-1130
Toll Free: 1-800-735-3853
Fax: 314-231-5074**

www.dukemfg.com

**P/N 529025
REV A 08/09/2017**



TABLE OF CONTENTS

Safety Instructions 2

Tools and Hardware Required 3

Installation Instructions 3

IMPORTANT SAFETY INSTRUCTIONS

Throughout this manual, you will find the following safety words and symbols that signify important safety issues with regards to operating or maintaining the equipment.



Indicates a hazardous situation which, if not avoided, could result in death or serious injury.



Indicates a hazardous situation which, if not avoided, in minor or moderate injury.



Indicates Important Information

In addition to the warnings and cautions in this manual, use the following guidelines for safe operation of the unit.

- Read all instructions before using equipment.
- Install or locate the equipment only for its intended use as described in this manual.
- Do not use corrosive chemicals in this equipment.
- The procedures in this manual may include the use of chemical products. You must read the Material Safety Data Sheets before using any of these products.
- Disposal of the unit must be in accordance with local environmental codes and/or any other applicable codes.



Your Solutions Partner

TOOLS AND HARDWARE REQUIRED

Tools Needed - Not Included



Drill



Phillips Screw
Driver

Kit Parts, Tools and Hardware - Included



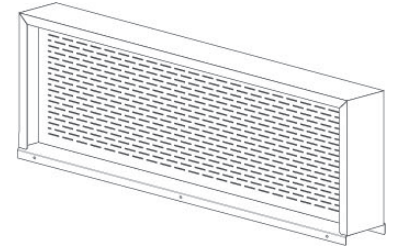
10-24 Tap



10-24 x 1/2
Bolts - 6 Ea.



5/32
Drill Bit



Mesh Screen
Topper

INSTALLATION INSTRUCTIONS

Step 1

Place Mesh Screen Topper on wall in location to be installed.

Step 2

Mark location of holes on both sides (6) total where holes need drilled.

Step 3

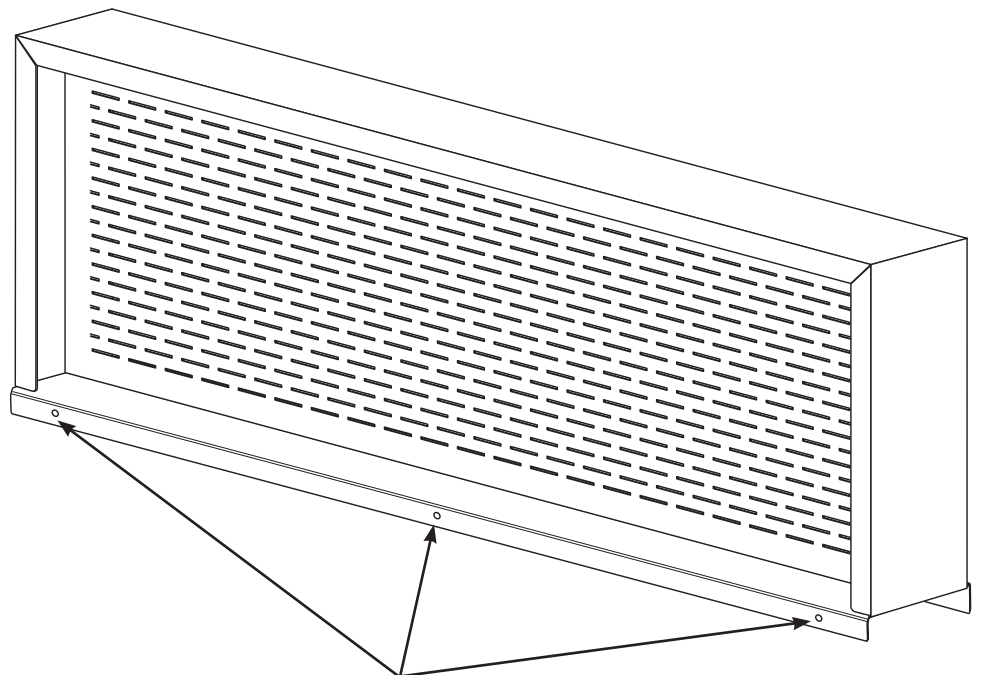
Remove Topper and Drill holes in wall with 5/32 Drill Included in Kit.

Step 4

Tap the (6) holes with 10-24 Tap provided in kit.

Step 6

Place topper back on wall and secure with (6) 10-24X 1/2" Bolts



Hole Locations both sides



This Page Left Blank



Your Solutions Partner

Duke Manufacturing Co.

2305 N. Broadway

St. Louis, MO 63102

Phone: 314-231-1130

Toll Free: 1-800-735-3853

Fax: 314-231-5074

www.dukemfg.com