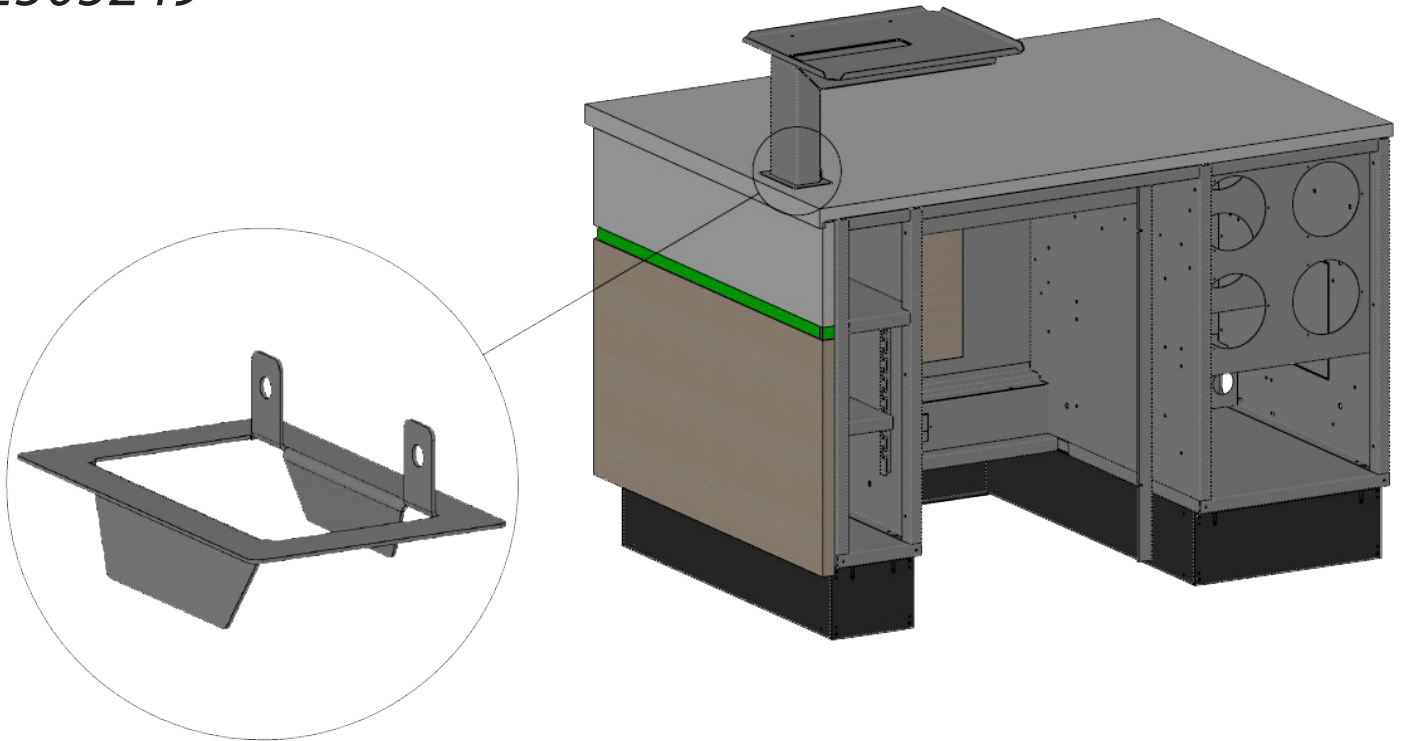




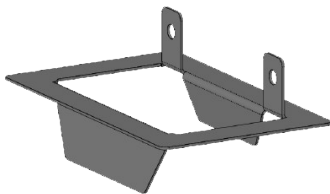
Your Solutions Partner

Instruction Sheet

POS Support Bracket Kit 2505249



PARTS IN KIT



POS Support Bracket
2505248

TOOLS NEEDED



Stubby Phillips Screw Driver

CAUTION: Please read these instructions completely before attempting to install, operate or service this equipment.

WARNING for CA residents: go to www.dukemfg.com/prop65 for prop 65 warning

*This manual is Copyright © 2021 Duke Manufacturing Co. All rights reserved.
Reproduction without written permission is prohibited. Duke is a registered
trademark of the Duke Manufacturing Co.*

P/N 229403
REV A 04/28/2021

POS SUPPORT BRACKET INSTALLATION

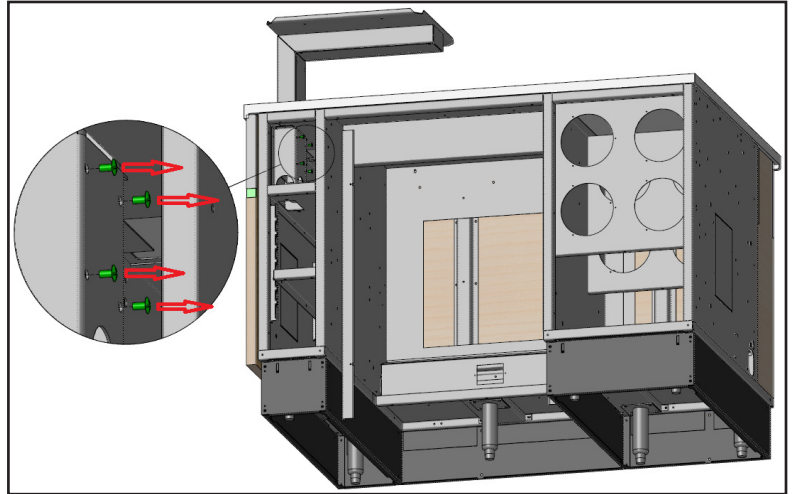
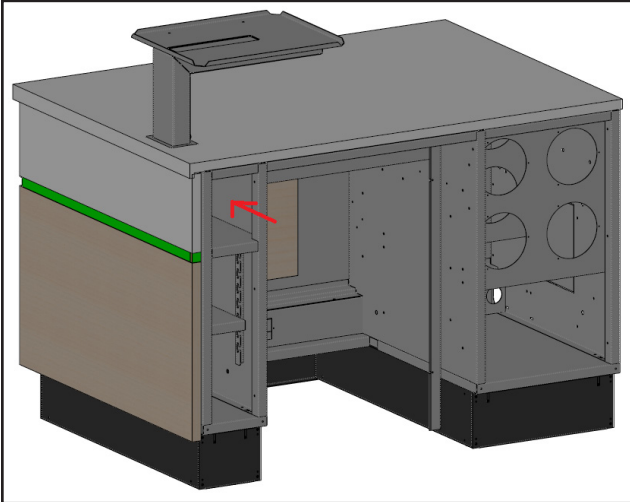
- 1 Start by disconnecting all electrical equipment located on top of the POS arm and set it aside in a safe location.

⚠ WARNING

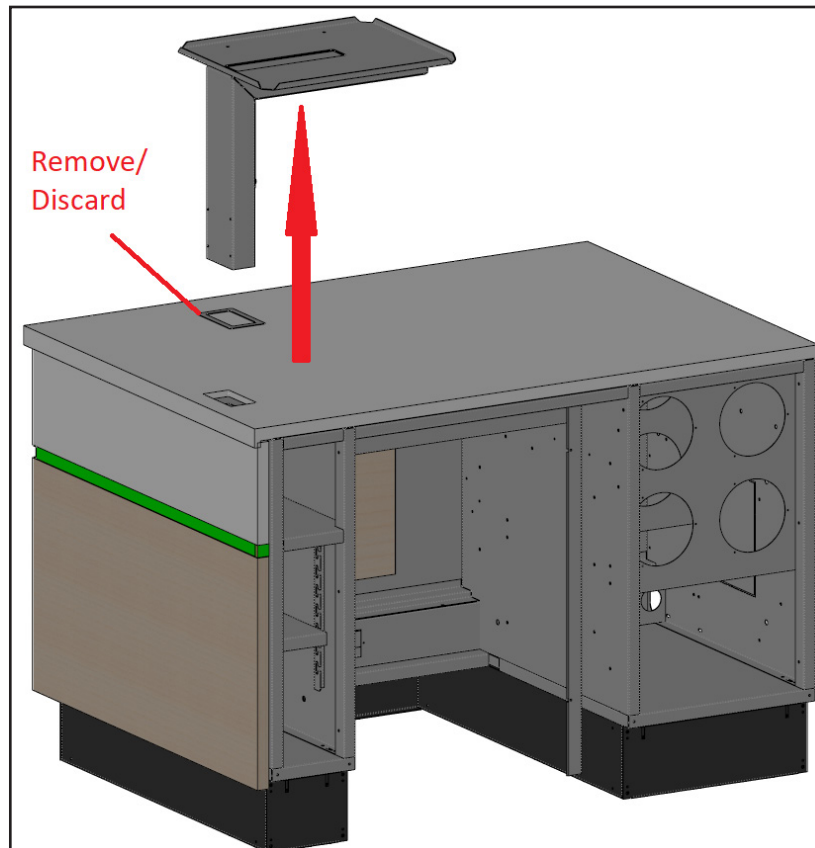
Failure to disconnect power to equipment could cause equipment damage and or bodily injury.

- 2 Remove the screws that are holding the POS arm in place, which are located underneath the countertop.

 Do **NOT** discard these screws as they will be used in a later step.




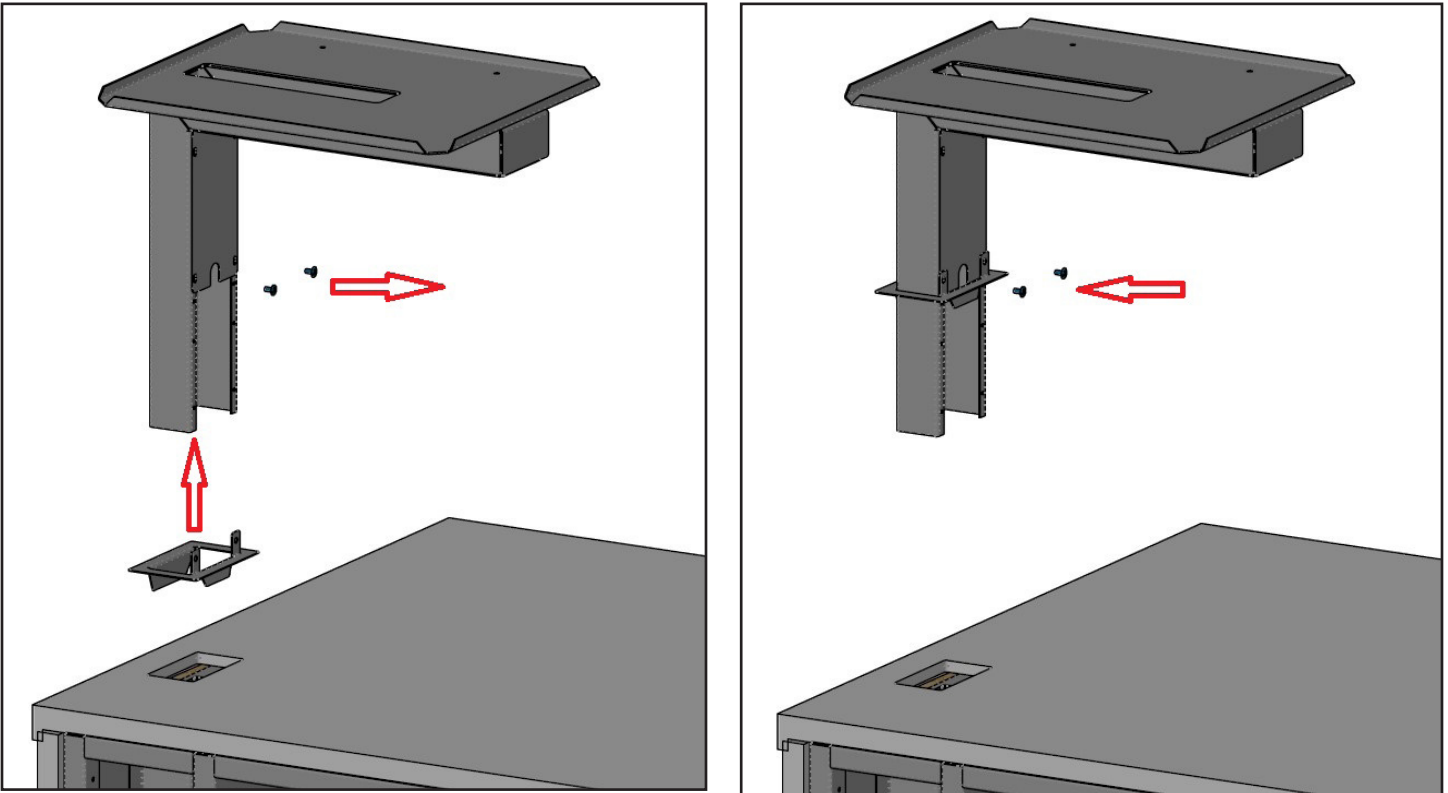
- 3 Pull the POS arm out of the counter and pull all wires out of the bottom of the arm. Remove and discard the rectangular cover plate that goes around the POS arm and rests on top of the countertop.



POS SUPPORT BRACKET INSTALLATION


- 4** Remove the two screws at the bottom of the POS arm. Slide the retrofit support bracket over the arm until the two holes on the bracket line up with these two holes on the POS arms. Once the holes are aligned, re-install the screws.

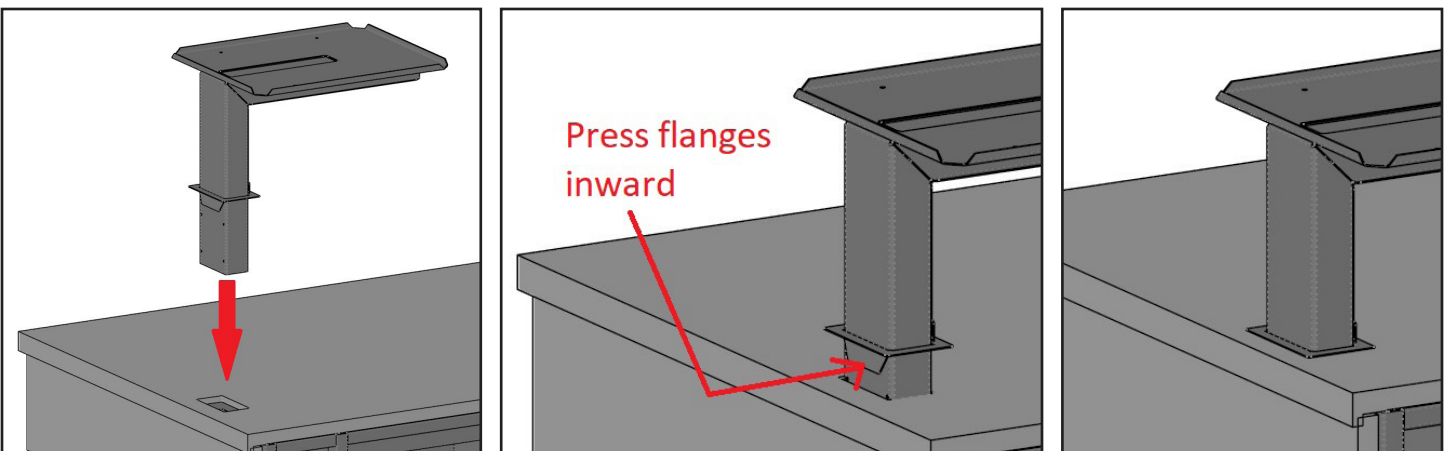
 Do **NOT** fully tighten the screws as they will be tightened on a later step.



- 5** Re-route all wires back through the POS arm that were removed in the earlier steps.

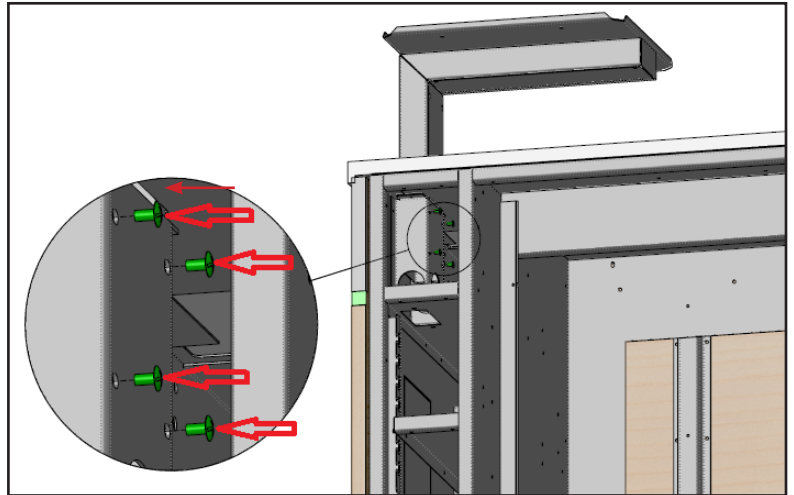
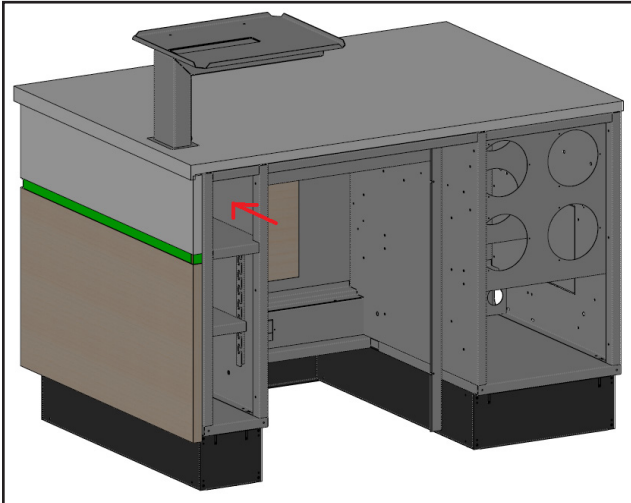
- 6** Slide the POS arm down into the hole of the countertop until the bracket rests flush against the top of the countertop.

 **Note:** This bracket is designed to fit tight inside the hole of the countertop so the downward facing flanges of the bracket may need to be pressed inward to allow them to clear the edge of the hole in the countertop during installation.



POS SUPPORT BRACKET INSTALLATION

- 7** Align the holes of the POS arm and the mounting bracket located underneath the countertop. Once aligned, re-install and tighten the screws that were removed from step two, making sure not to cross-thread them.



- 8** Tighten the screws that were left loose in step four.
- 9** Place all equipment back on top of POS arm and re-connect all wires to their designated equipment.

10



Installation complete.



Your Solutions Partner

Duke Manufacturing Co.
2305 N. Broadway
St. Louis, MO 63102

Phone: 314-231-1130
Toll Free: 1-800-735-3853
Fax: 314-231-5074

www.dukemfg.com