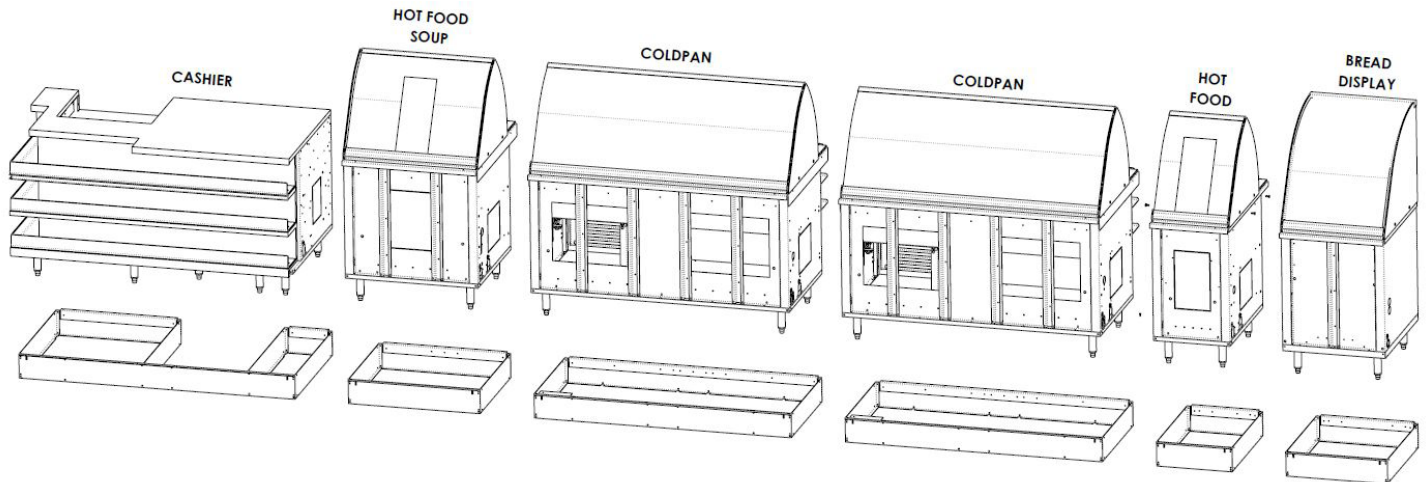




Your Solutions Partner

Installation Instructions

Kickplates



Tools Needed not Included



Cordless Drill with
5/16 Extended
Socket
OR
5/16" Nut Driver



Parts in Kit

Kickplates: Various based on unit.
NOTE: Kickplates are packed with each unit
and are labeled.

Self Tapping Screws



CAUTION: Please read these Instructions completely before attempting to install, operate or service this equipment

*This manual is Copyright © 2018 Duke Manufacturing Co. All rights reserved.
Reproduction without written permission is prohibited. Duke is a registered
trademark of the Duke Manufacturing Co.*

Duke Manufacturing Co.

2305 N. Broadway
St. Louis, MO 63102
Phone: 314-231-1130
Toll Free: 1-800-735-3853
Fax: 314-231-5074

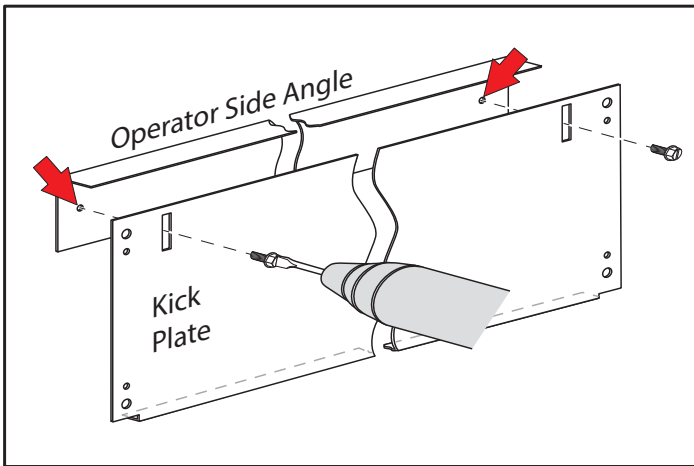
www.dukemfg.com

P/N 229174
REV A 2/26/2018

Kickplate Installation

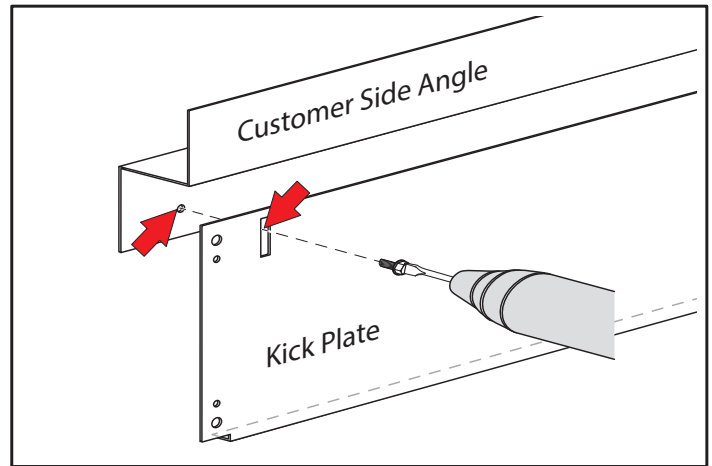
1. Kickplates should be installed with the bottom touching floor.

Attaching kickplate to operator side

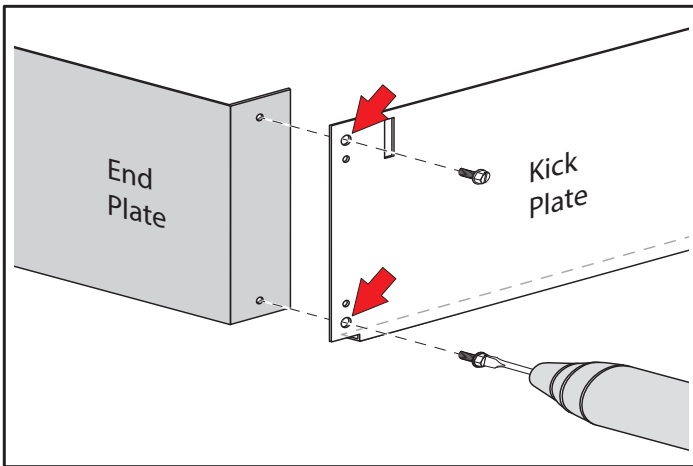


2. Start with the Hot Food unit, install the customer and operator side kickplates first.

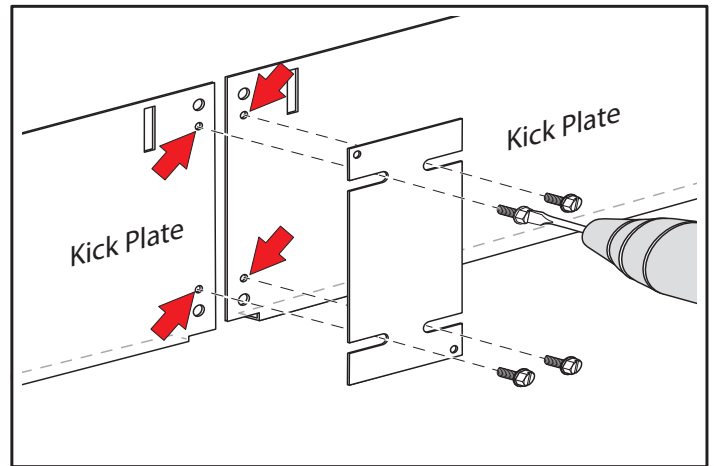
Attaching kickplate to customer side



Attaching kickplate to end plate



Attaching trim plate between units to hide gaps



Your Solutions Partner
Your Solutions Partner

Duke Manufacturing Co.

2305 N. Broadway
St. Louis, MO 63102
Phone: 314-231-1130

Toll Free: 1-800-735-3853
Fax: 314-231-5074

www.dukemfg.com