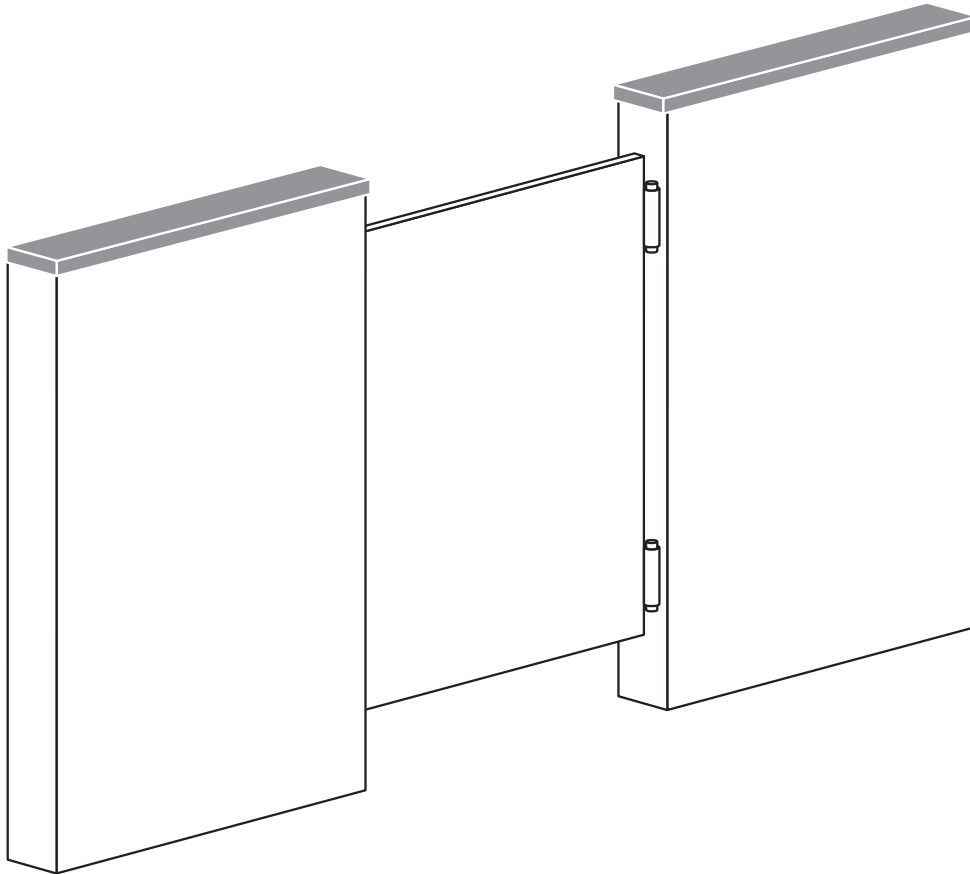




Your Solutions Partner

Installation Manual

Decor End Wall



CAUTION: Please read this manual completely before attempting to install, operate or service this equipment

*This manual is Copyright © 2017 Duke Manufacturing Co. All rights reserved.
Reproduction without written permission is prohibited. Duke is a registered
trademark of the Duke Manufacturing Co.*

Duke Manufacturing Co.

**2305 N. Broadway
St. Louis, MO 63102
Phone: 314-231-1130
Toll Free: 1-800-735-3853
Fax: 314-231-5074**

www.dukemfg.com

**P/N 229089
REV A 11/08/2017**

Decor End Wall Installation Instructions

STEP 1.

Read these instructions completely before installing.

STEP 2.

Determine where the wall(s) are to be located.

STEP 3.

Familiarize yourself with the walls and remove the mounting plates,;

- 1pc 4 x 4" from the floor base
- 1pc 2 x 4" from the wall junction.

Note: The 2 x 4" is 1 1/2" thick and the 4 x 4" is 3-1/2". There will be pockets in the bottom and end of the end walls when the mounting plates are removed.

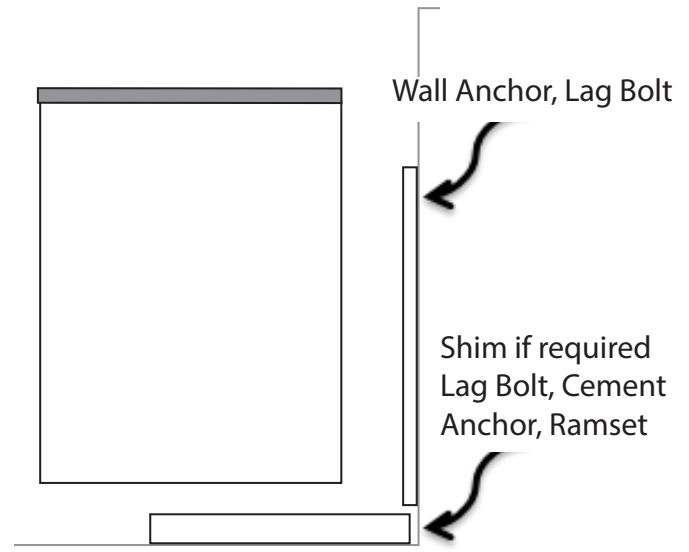
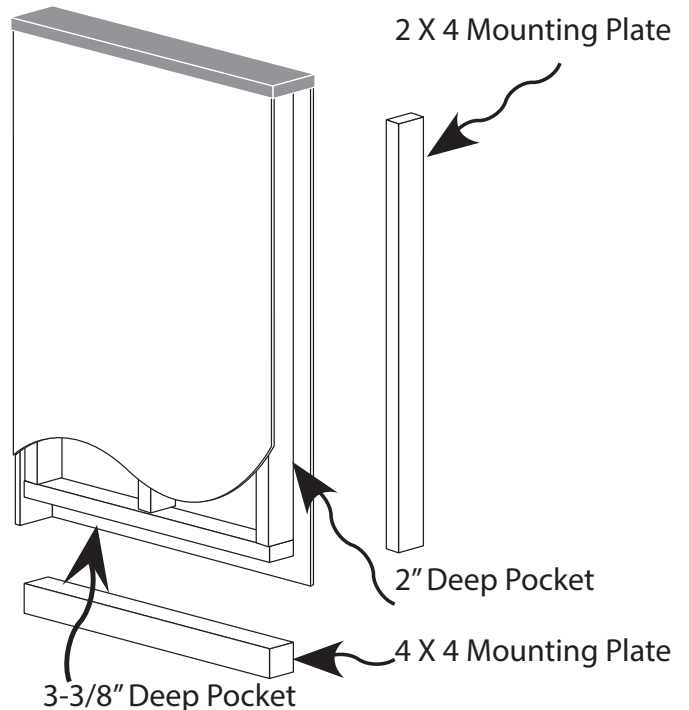
- The bottom pocket is 3-3/8" deep and with the 3-1/2" thick mounting plate will provide a 1/8" gap between the end panel and the floor. This gap provides a moisture break.
- The sidewall pocket is 2" deep and with the 1-1/2" thick mounting plate provides 1/2" of material that can be planed off for finishing.
- When installing End wall next to other equipment, make sure to allow for the overhand of the top cap

STEP 4.

Place the 4 x 4" floor plate(s) and the 2 x 4" wall plate. Level the wall plate and check that it is square with the floor plate(s), mark location of plates with pencil or chalk line.

- If the building's wall and floor are not square you may choose to shim the floor mounting plate or plane the end wall prior to its installation. This will eliminate any gap that may exist between the end wall and building wall.
- If there is a gap between the End Wall and building wall and you do not want to shim or plane the wall, the gap can be hidden with a corner molding of your choice.

End Wall Cut-away



Decor End Wall Installation Instructions - continued

STEP 5.

Attach mounting plates to floor and wall using your preferred method (screw anchor, lag bolt or Ramset®), check for alignment with previously made marks.

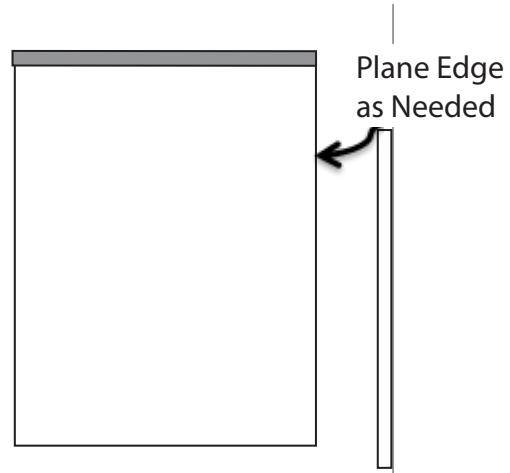
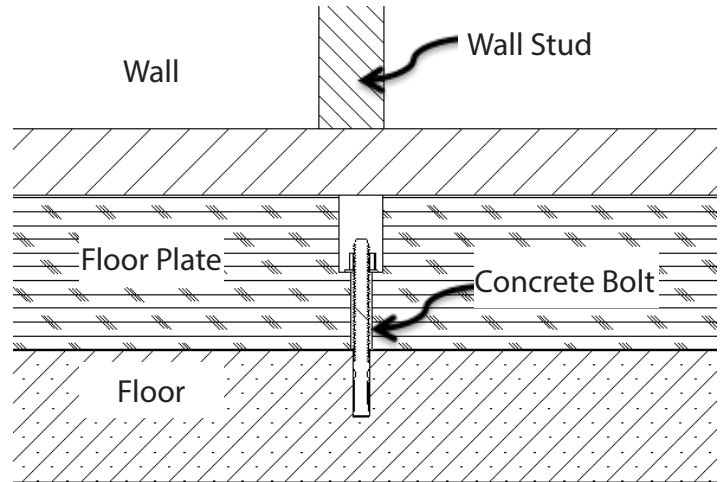
Note: Shim floor plate if desired and allow 36" between end wall sections for gates.

STEP 6.

If the mounting fasteners protrude above the mounting plates, drill or chisel out clearance in the floor and wall base plates located in the End Wall. Position End Walls on the mounting plates to assure that proper clearance is achieved.

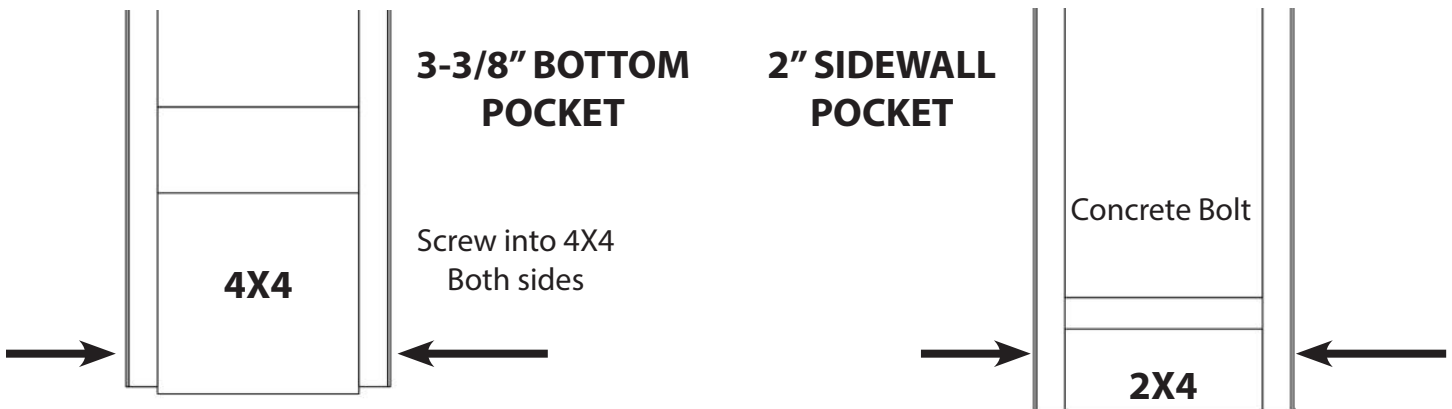
STEP 7.

Plane the End Wall if the juncture to the building wall has a gap that you want to eliminate without adding a corner molding.



STEP 8.

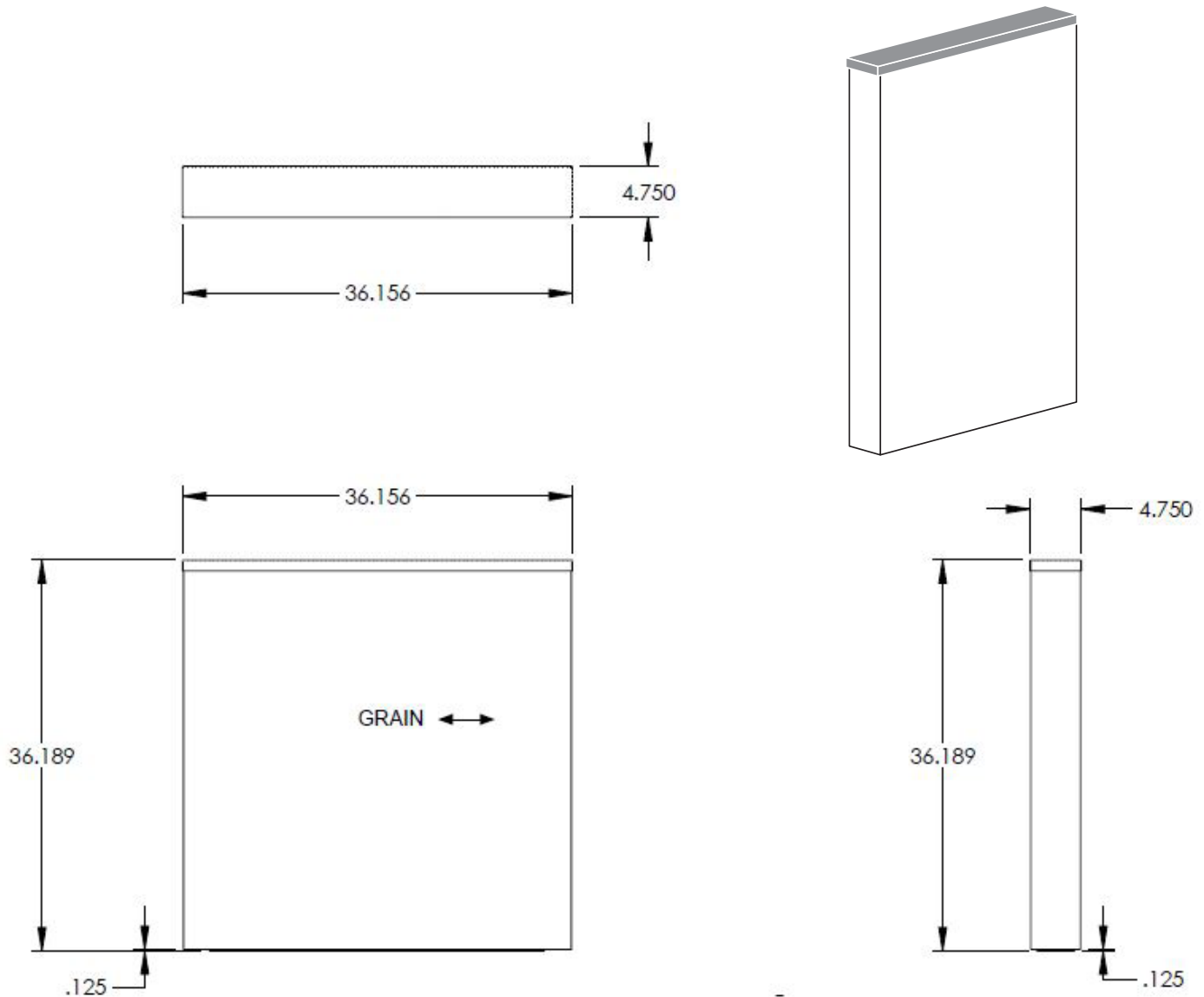
Place the End Wall in its permanent position. Secure the Tuscan end walls on both sides with screws along the base into the floor mounting plates and with finishing nails along the wall into the wall mounting plates.



STEP 9.

If gate is to be installed first determine which way it is to swing, in or out. Attach hinges, latch and strike as required.

Decor End Wall Specifications



Your Solutions Partner

Duke Manufacturing Co.

2305 N. Broadway
St. Louis, MO 63102
Phone: 314-231-1130
Toll Free: 1-800-735-3853
Fax: 314-231-5074

www.dukemfg.com